

THIS DRAWING IS UNPUBLISHED.

RELEASED FOR PUBLICATION

© COPYRIGHT -

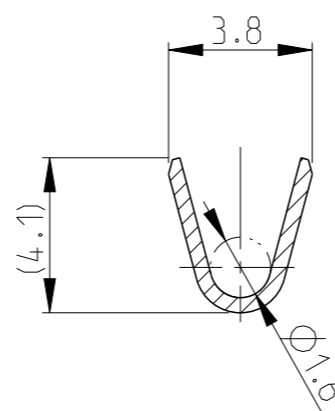
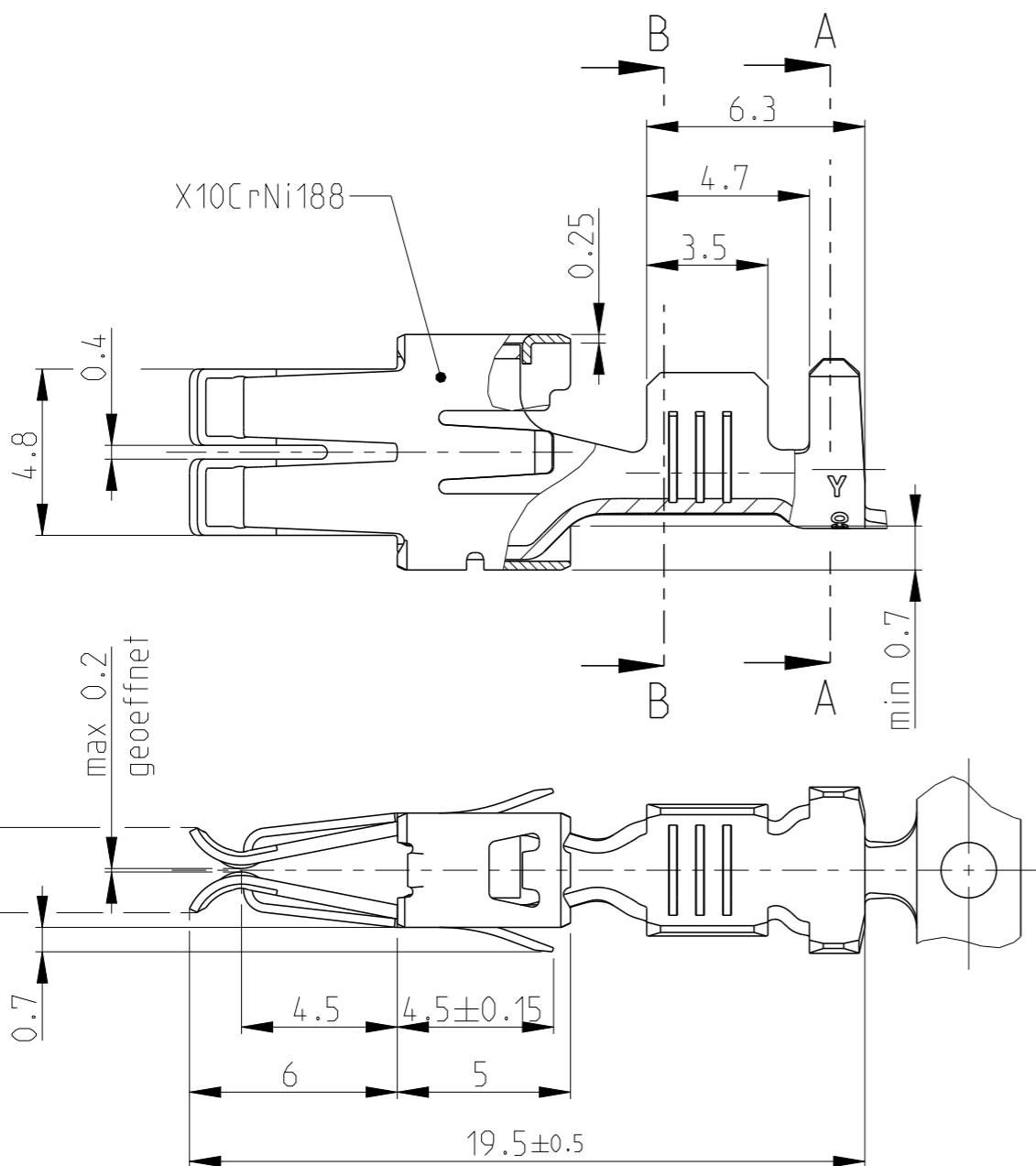
ALL RIGHTS RESERVED.

LOC  
A1

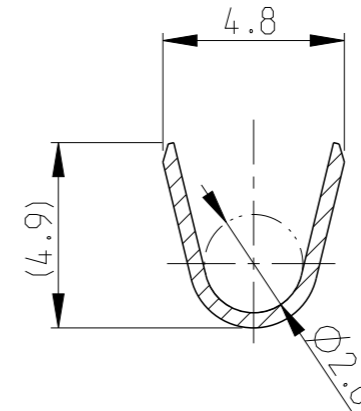
DIST  
-

REVISIONS

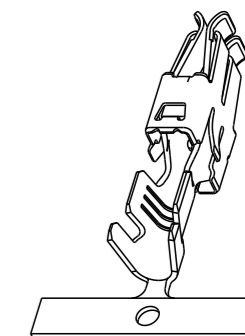
P	LTR	DESCRIPTION	DATE	DWN	APVD
C5		ECR-16-004045	24MAR2016	KD	RR
C6		ECR-16-010013	19JUL2016	KD	RR
C7		ECR-16-013486	26SEP2016	KD	RR
C8		ECR-17-005237	11APR2017	IZ	RR



B-B



A-A



2:1

Notes

1 OBSOLETE

2 PRELIMINARY - NOT RELEASED FOR PRODUCTION

3 CONTACT ZONE SELECTIVE  
PRE SILVER PLATED MIN 1-1.5 µm

INSUL. RANGE Ø2.2-3.0 mm	WIRE RANGE >1-2.5 mm <sup>2</sup>
--------------------------------	---

2.5	1	1241826-5	vorversilbert/PRESILVERED	CuFe2	964203-5	C
2.5	1	1241826-4	vorversilbert/PRESILVERED 1-1.5 µm	CuSn4	964203-4	C
2.5	1	1241826-3	vorversilbert/PRESILVERED 3-4.5 µm	CuSN4	964203-3	C
2.5	1	1241826-2	vorverzinkt/PRETINNED	CuSN4	964203-2	C
2.5	1	1241826-1	vorverzinkt/PRETINNED	CuFe2	964203-1	C
A		LP NO	FINISH	MATERIAL	PART NO.	REV

THIS DRAWING IS A CONTROLLED DOCUMENT.

DIMENSIONS: mm	TOLERANCES UNLESS OTHERWISE SPECIFIED: 0 PLC ± 1 PLC ± 2 PLC ± 3 PLC ± 4 PLC ± ANGLES ±°
MATERIAL	FINISH

DWN	ATZMANN	06.01.94
CHK	BARTOSCH	18.01.94
APVD	Bleicher, M.	28.11.07
PRODUCT SPEC	108-18025	
APPLICATION SPEC	114-18037	
WEIGHT	0.82 g	



NAME  
STANDARD POWER TIMER KONTAKT  
( Gerade Tulpe )

SIZE	CAGE CODE	DRAWING NO	RESTRICTED TO
A3	00779	©=964203	-

Customer Drawing	SCALE 5:1	SHEET 1 OF 9	REV C8
------------------	-----------	--------------	--------

THIS DRAWING IS UNPUBLISHED.

RELEASED FOR PUBLICATION

© COPYRIGHT -

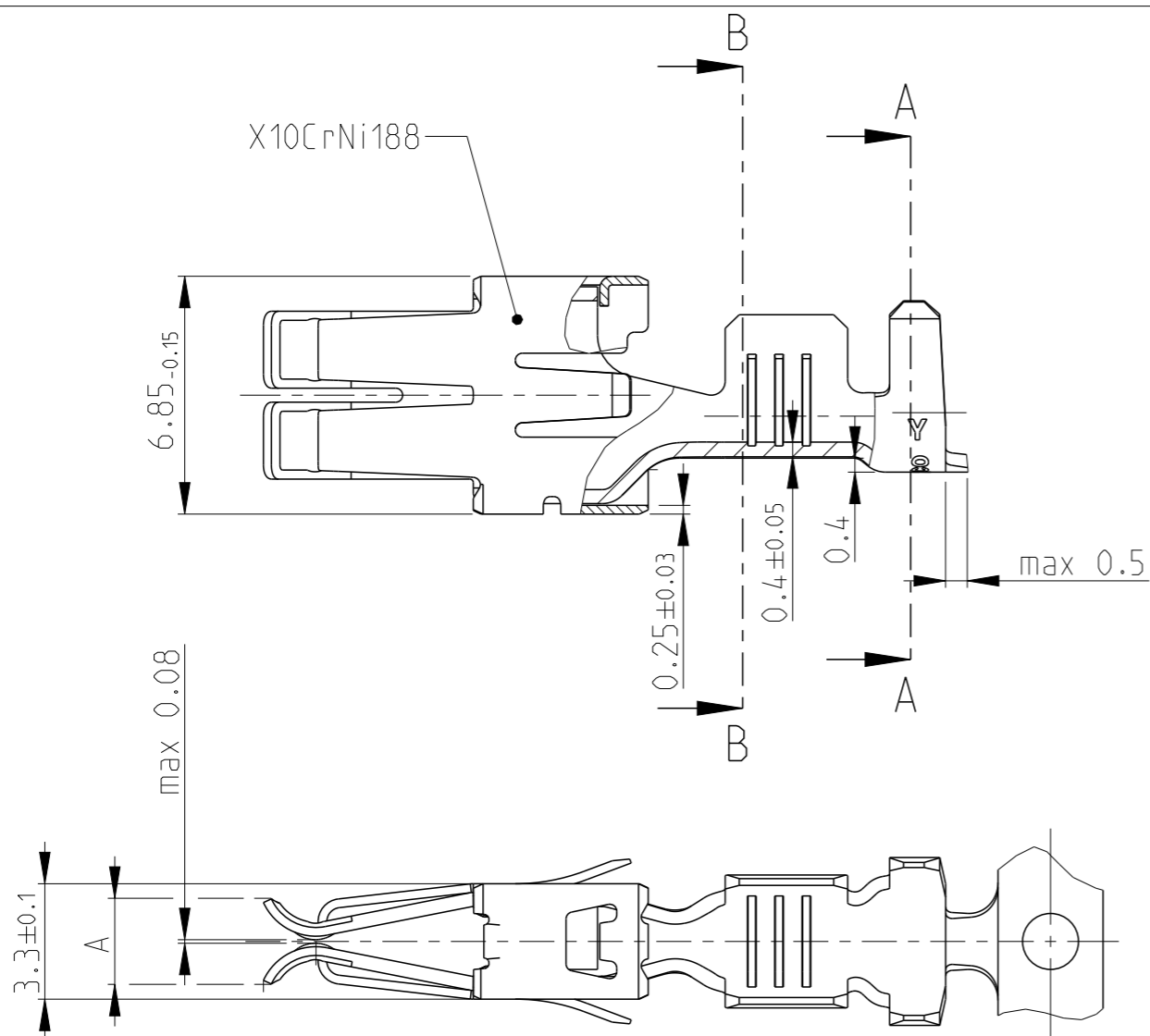
ALL RIGHTS RESERVED.

LOC DIST

REVISIONS

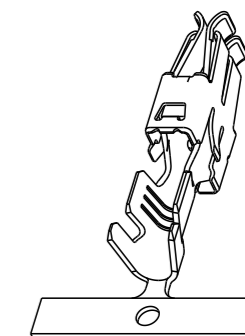
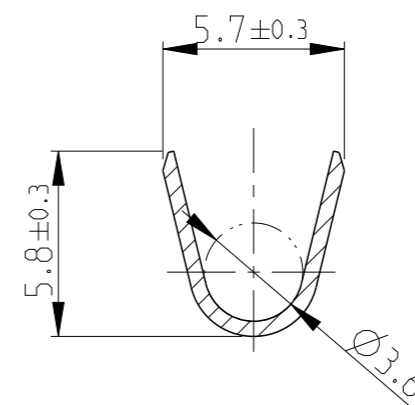
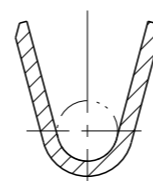
P	LTR	DESCRIPTION	DATE	DWN	APVD
-	-	SEE SHEET 1	-	-	-

ONLY FOR 3-927833-1 & 3-927833-2  
OTHER DIMENSIONS SEE SHEET 1



B-B

A-A



2:1

INSUL. RANGE $\phi$ 2.7-3.7 mm	WIRE RANGE >1-2.5 mm <sup>2</sup>	2.3 $\pm$ 0.15	-	PRETINNED	CuSn4	3-927833-2	A
		2.3 $\pm$ 0.15	-	PRETINNED	CuFe2	3-927833-1	A
		A	LP NO	FINISH	MATERIAL	PART NO.	REV

THIS DRAWING IS A CONTROLLED DOCUMENT.

DWN ATZMANN 06.01.94

CHK BARTOSCH 18.01.94

APVD Bleicher, M. 28.11.07

PRODUCT SPEC

108-18025

APPLICATION SPEC

114-18037

WEIGHT ~~0.82 g~~

Customer Drawing

**STE** TE Connectivity

NAME STANDARD POWER TIMER KONTAKT ( Gerade Tulpe )

SIZE CAGE CODE DRAWING NO RESTRICTED TO

A3 00779 C-964203

SCALE 5:1 SHEET 2 OF 9 REV C8

DIMENSIONS: mm	TOLERANCES UNLESS OTHERWISE SPECIFIED:
	0 PLC $\pm$
	1 PLC $\pm$
	2 PLC $\pm$ $\pm$ 0.2
	3 PLC $\pm$
	4 PLC $\pm$
	ANGLES $\pm$ 1°
MATERIAL	FINISH
-	-

THIS DRAWING IS UNPUBLISHED.

RELEASED FOR PUBLICATION

© COPYRIGHT -

ALL RIGHTS RESERVED.

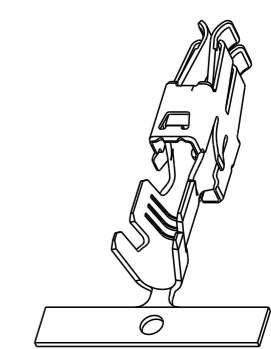
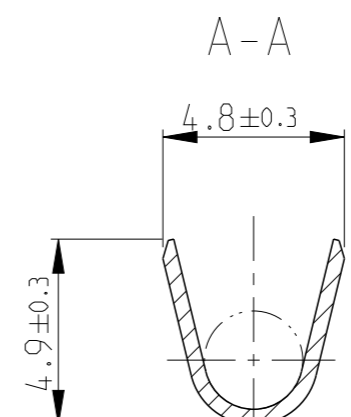
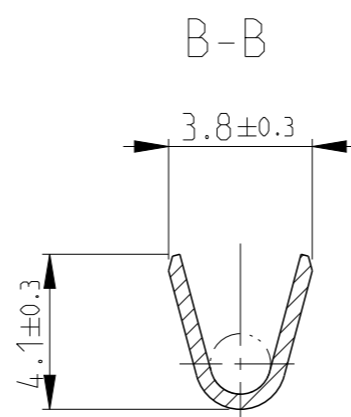
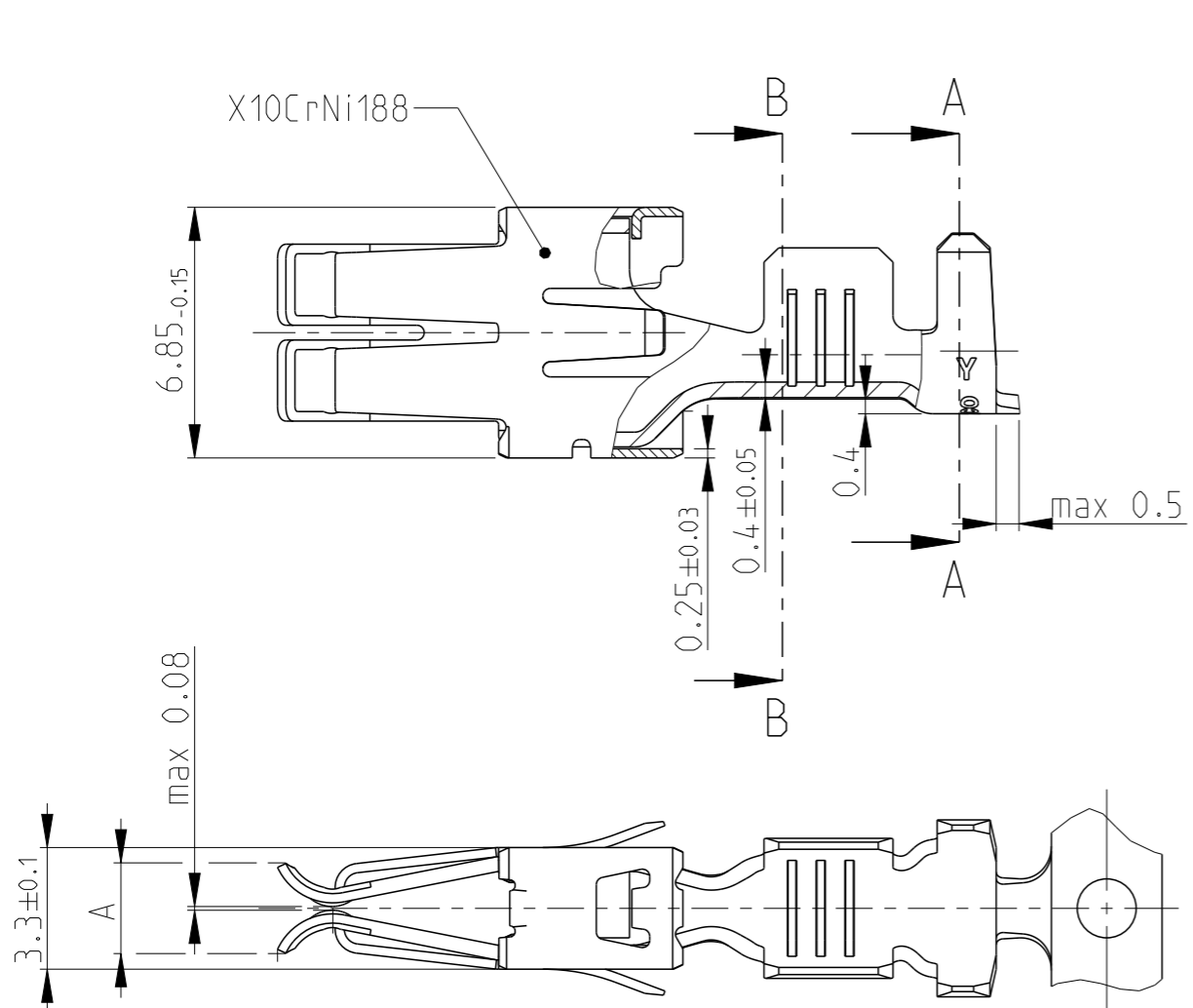
LOC DIST

REVISIONS

P	LTR	DESCRIPTION	DATE	DWN	APVD
-	-	SEE SHEET 1	-	-	-

ONLY FOR 3-927837-1, 3-927837-2,  
3-927837-4 & 3-927837-5

OTHER DIMENSIONS SEE SHEET 1



2:1

2.3 ± 0.15	-	PRESILVERED	3	CuFe2	3-927837-5	A
2.3 ± 0.15	-	PRESILVERED	3	CuSn4	3-927837-4	A
2.3 ± 0.15	-	PRETINNED		CuSn4	3-927837-2	A
2.3 ± 0.15	-	PRETINNED		CuFe2	3-927837-1	A
A	LP NO	FINISH	MATERIAL	PART NO.	REV	

INSUL. RANGE Ø 2.2-3.0 mm	WIRE RANGE >1-2.5 mm <sup>2</sup>
---------------------------------	---

THIS DRAWING IS A CONTROLLED DOCUMENT.

DIMENSIONS: mm	TOLERANCES UNLESS OTHERWISE SPECIFIED: ±0.2
	0 PLC ±
	1 PLC ±
	2 PLC ±
	3 PLC ±
	4 PLC ±
MATERIAL	FINISH
-	-

DWN	ATZMANN	06.01.94
CHK	BARTOSCH	18.01.94
APVD	Bleicher, M.	28.11.07
PRODUCT SPEC	108-18025	
APPLICATION SPEC	114-18037	
WEIGHT	0.82 g	

<b>STE</b> TE Connectivity			
NAME STANDARD POWER TIMER KONTAKT ( Gerade Tulpe )			
SIZE	CAGE CODE	DRAWING NO	RESTRICTED TO
A3	00779	964203	-
Customer Drawing		SCALE	SHEET
		5:1	3 OF 9
		REV	8

THIS DRAWING IS UNPUBLISHED.

RELEASED FOR PUBLICATION

© COPYRIGHT -

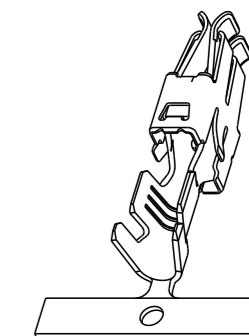
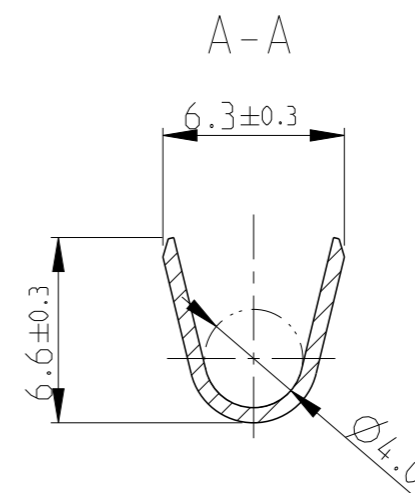
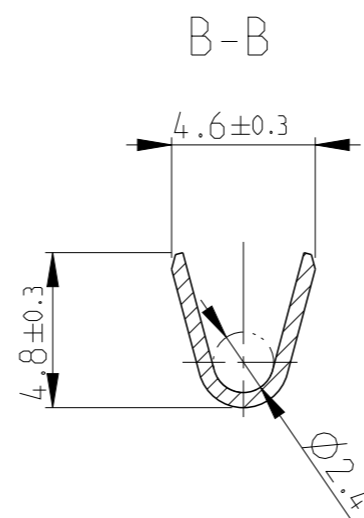
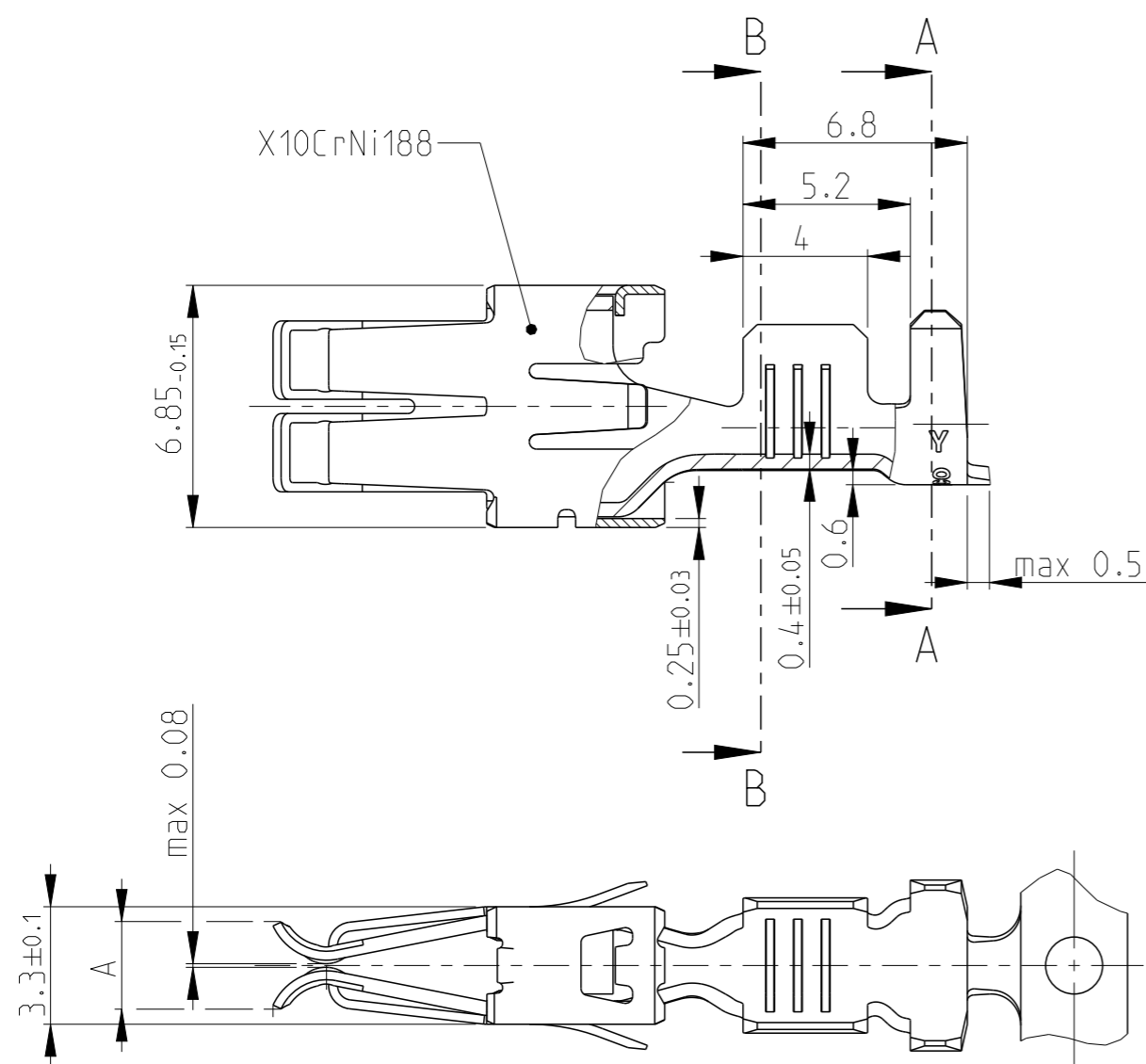
ALL RIGHTS RESERVED.

LOC DIST

REVISIONS

P	LTR	DESCRIPTION	DATE	DWN	APVD
-	-	SEE SHEET 1	-	-	-

ONLY FOR 3-927824-1 & 3-927824-2  
OTHER DIMENSIONS SEE SHEET 1



2:1

INSUL. RANGE Ø3.3-4.5 mm	WIRE RANGE >2.5-4.0 >mm <sup>2</sup>	2.3 ± 0.15	-	PRETINNED	CuSn4	3-927824-2	A
		2.3 ± 0.15	-	PRETINNED	CuFe2	3-927824-1	A
		A	LP NO	FINISH	MATERIAL	PART NO.	REV

THIS DRAWING IS A CONTROLLED DOCUMENT.

DWN ATZMANN 06.01.94

CHK BARTOSCH 18.01.94

APVD Bleicher, M. 28.11.07

PRODUCT SPEC 108-18025

APPLICATION SPEC 114-18037

WEIGHT 0.82 g

Customer Drawing

**STE** TE Connectivity

NAME STANDARD POWER TIMER KONTAKT (Gerade Tulpe)

SIZE CAGE CODE DRAWING NO RESTRICTED TO

A3 00779 C-964203

SCALE 5:1 SHEET 4 OF 9 REV 8

DIMENSIONS: mm	TOLERANCES UNLESS OTHERWISE SPECIFIED: ±0.2
	0 PLC ±
	1 PLC ±
	2 PLC ±
	3 PLC ±
	4 PLC ±
	ANGLES ±1°
MATERIAL	FINISH
-	-

THIS DRAWING IS UNPUBLISHED.

RELEASED FOR PUBLICATION

© COPYRIGHT -

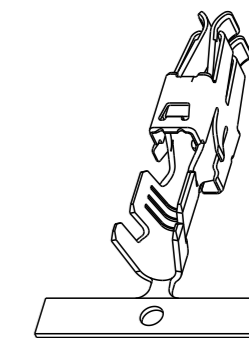
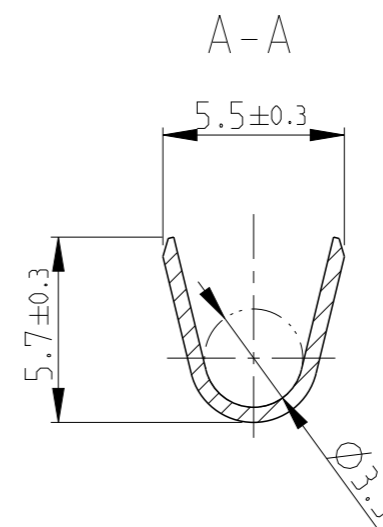
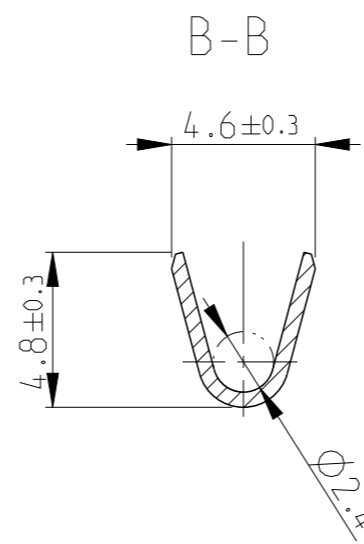
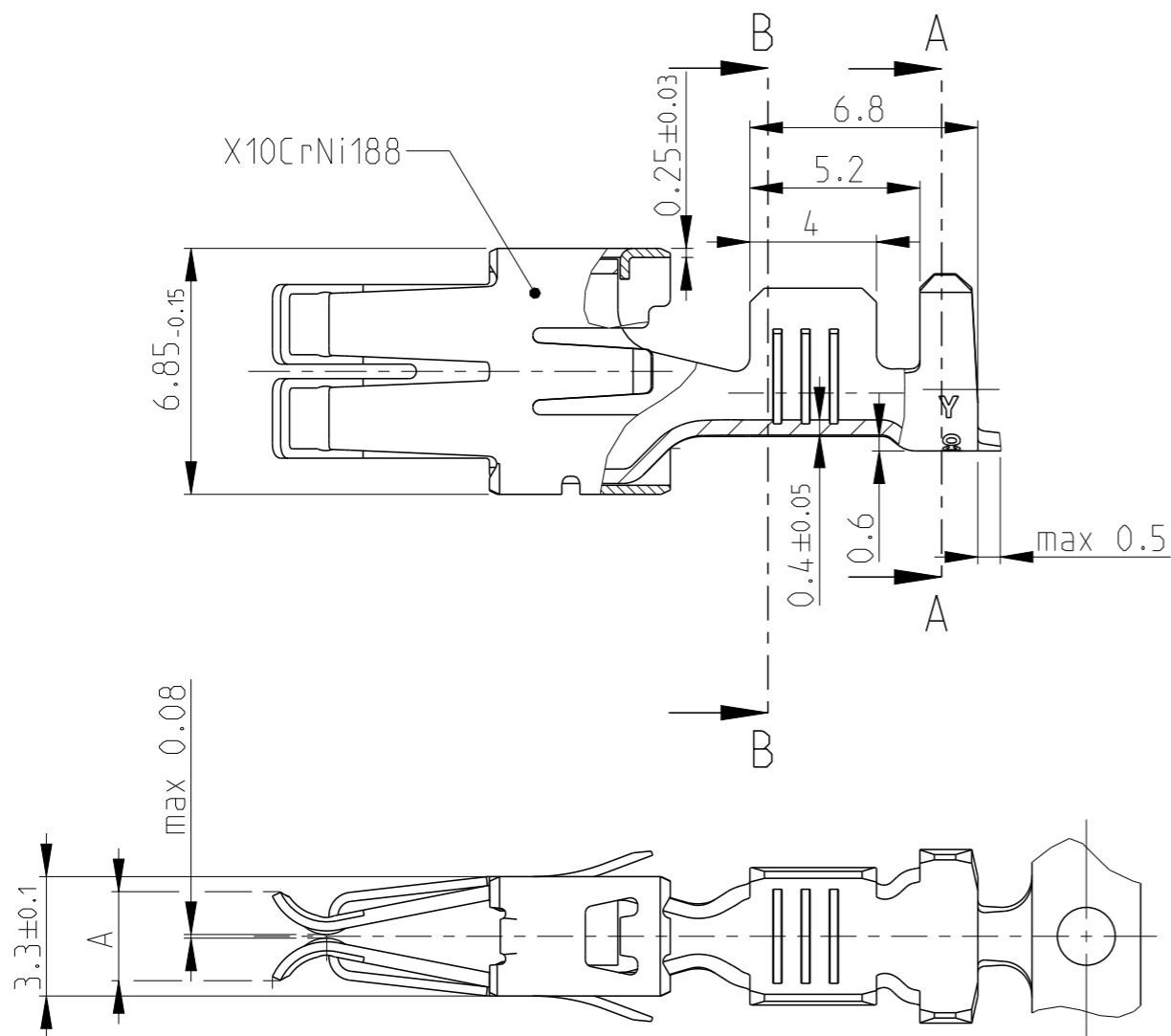
ALL RIGHTS RESERVED.

LOC DIST

REVISIONS

P	LTR	DESCRIPTION	DATE	DWN	APVD
-	-	SEE SHEET 1	-	-	-

ONLY FOR 3-927829-1 & 3-927829-5,  
OTHER DIMENSIONS SEE SHEET 1



2:1

INSUL. RANGE $\phi$ 2.7-3.7 mm	WIRE RANGE >2.5-4.0 mm <sup>2</sup>	2.3 $\pm$ 0.15	-	PRESILVERED $\triangle$ 3	CuFe2	3-927829-5	A
		2.3 $\pm$ 0.15	-	PRETINNED	CuFe2	3-927829-1	A
		A	LP NO	FINISH	MATERIAL	PART NO.	REV

THIS DRAWING IS A CONTROLLED DOCUMENT.

DIMENSIONS: mm	TOLERANCES UNLESS OTHERWISE SPECIFIED: $\pm$ 0.2
	0 PLC $\pm$
	1 PLC $\pm$
	2 PLC $\pm$
	3 PLC $\pm$
	4 PLC $\pm$
	ANGLES $\pm$ 1°
MATERIAL	FINISH

DWN	ATZMANN	06.01.94
CHK	BARTOSCH	18.01.94
APVD	Bleicher, M.	28.11.07
PRODUCT SPEC	108-18025	
APPLICATION SPEC	114-18037	
WEIGHT	0.82 g	



NAME STANDARD POWER TIMER KONTAKT ( Gerade Tulpe )			
SIZE	CAGE CODE	DRAWING NO	RESTRICTED TO
A3	00779	C-964203	-

Customer Drawing SCALE 5:1 SHEET 5 OF 9 REV C8

THIS DRAWING IS UNPUBLISHED.

RELEASED FOR PUBLICATION

© COPYRIGHT -

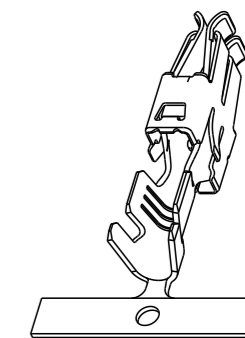
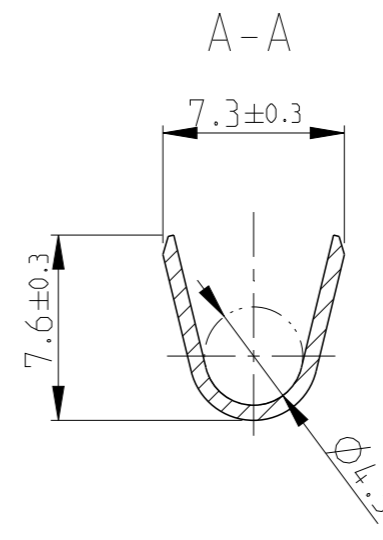
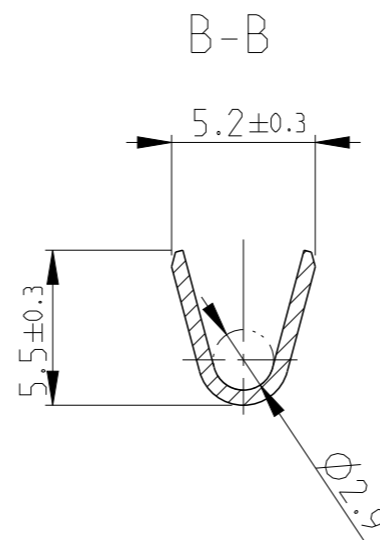
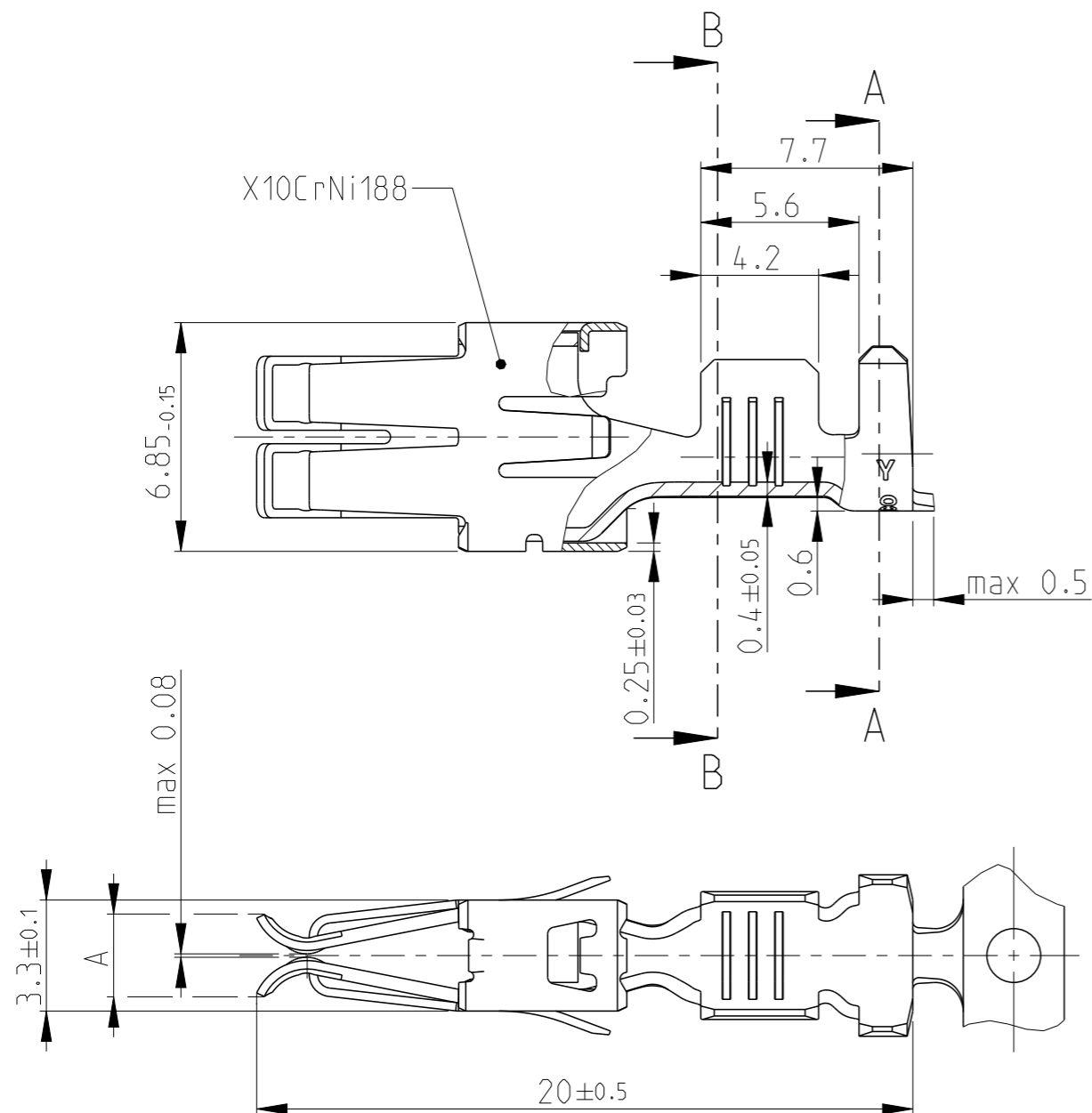
ALL RIGHTS RESERVED.

LOC DIST

REVISIONS

P	LTR	DESCRIPTION	DATE	DWN	APVD
-	-	SEE SHEET 1	-	-	-

ONLY FOR 3-963709-1  
OTHER DIMENSIONS SEE SHEET 1



2:1

INSUL. RANGE Ø4.0-5.2 mm	WIRE RANGE 4.0-6.0 mm <sup>2</sup>	2.3±0.15	-	PRETINNED	CuFe2	3-963709-1	A
		A	LP NO	FINISH	MATERIAL	PART NO.	REV

THIS DRAWING IS A CONTROLLED DOCUMENT.

DIMENSIONS:  
mm



TOLERANCES UNLESS OTHERWISE SPECIFIED:

0 PLC	±	±0.2
1 PLC	±	
2 PLC	±	
3 PLC	±	
4 PLC	±	±1°
ANGLES	±	

MATERIAL

FINISH

DWN	ATZMANN	06.01.94
CHK	BARTOSCH	18.01.94
APVD	Bleicher, M.	28.11.07
PRODUCT SPEC	108-18025	
APPLICATION SPEC	114-18037	
WEIGHT	0.82 g	



NAME  
STANDARD POWER TIMER KONTAKT  
( Gerade Tulpe )

SIZE	CAGE CODE	DRAWING NO	RESTRICTED TO
A3	00779	964203	-

Customer Drawing SCALE 5:1 SHEET 6 OF 9 REV 8

THIS DRAWING IS UNPUBLISHED.

RELEASED FOR PUBLICATION

© COPYRIGHT -

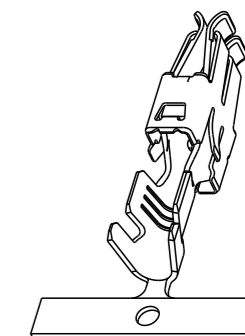
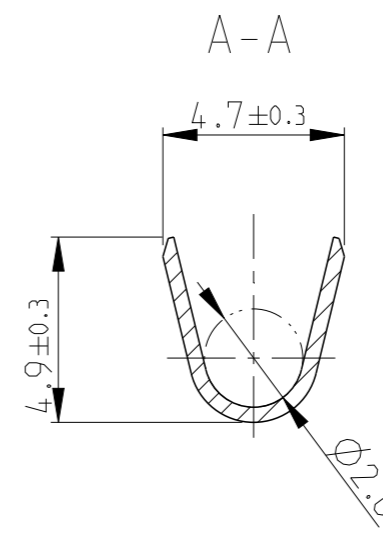
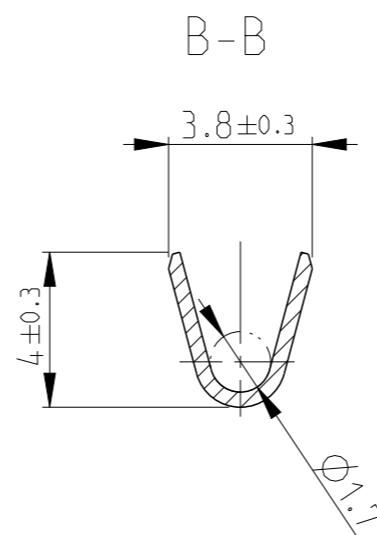
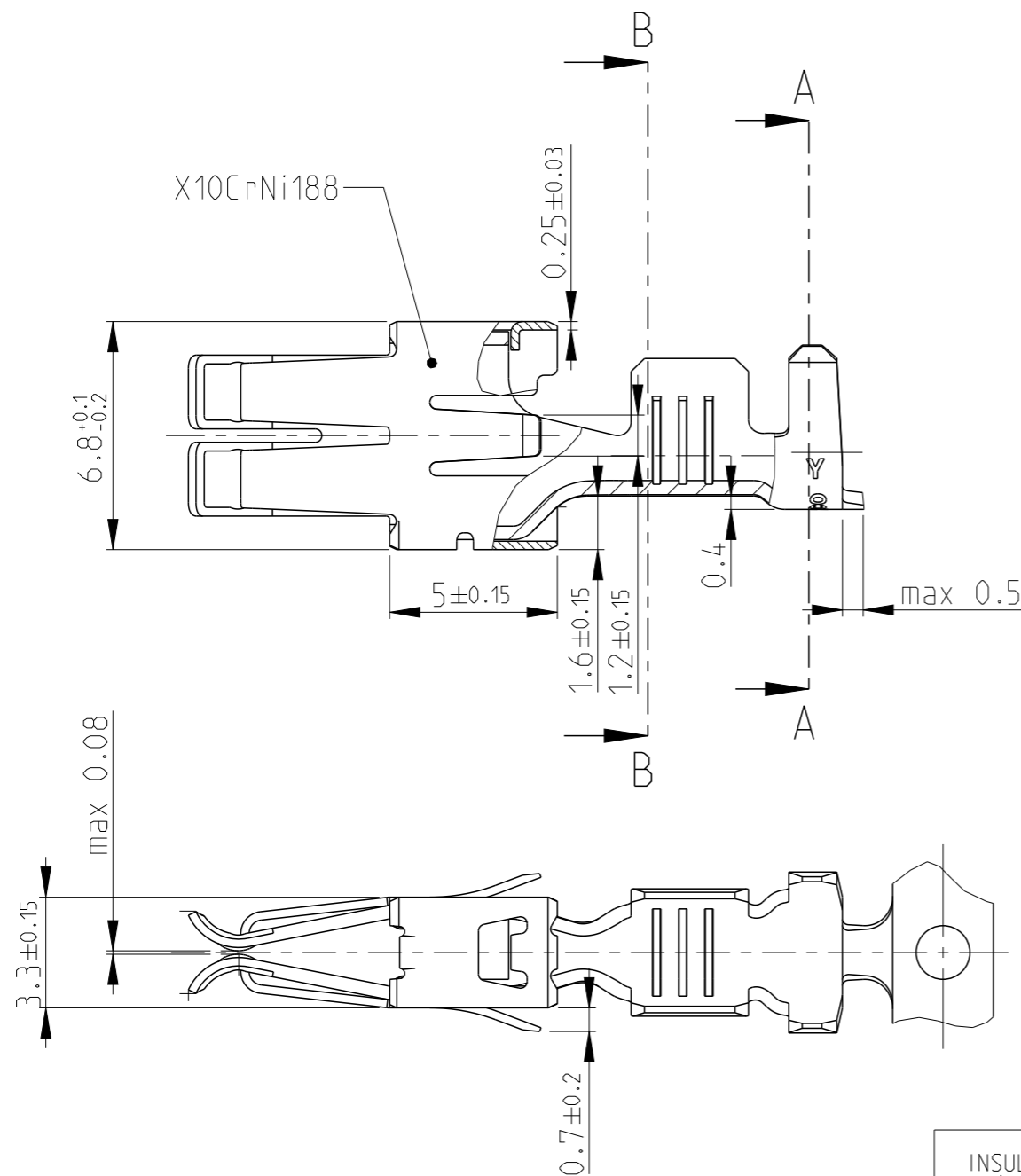
ALL RIGHTS RESERVED.

LOC DIST

REVISIONS

P	LTR	DESCRIPTION	DATE	DWN	APVD
-	-	SEE SHEET 1	-	-	-

ONLY FOR 3-964326-1  
OTHER DIMENSIONS SEE SHEET 1

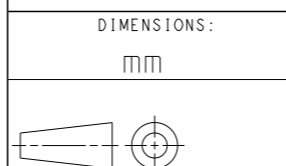


2:1

INSUL. RANGE Ø2.2-3.0 mm	WIRE RANGE >1.0-2.5 mm <sup>2</sup>
--------------------------------	---

-	PRETINNED	CuFe2	3-964326-1	A
LP NO	FINISH	MATERIAL	PART NO.	REV

THIS DRAWING IS A CONTROLLED DOCUMENT.



DIMENSIONS:	TOLERANCES UNLESS OTHERWISE SPECIFIED:
mm	±0.2
0 PLC	±
1 PLC	±
2 PLC	±
3 PLC	±
4 PLC	±
ANGLES	±1°
MATERIAL	FINISH
-	-

DWN	ATZMANN	06.01.94
CHK	BARTOSCH	18.01.94
APVD	Bleicher, M.	28.11.07
PRODUCT SPEC	108-18025	
APPLICATION SPEC	114-18037	
WEIGHT	0.82 g	

		TE Connectivity	
		NAME	
STANDARD POWER TIMER KONTAKT ( Gerade Tulpe )			
SIZE	CAGE CODE	DRAWING NO	RESTRICTED TO
A3	00779	964203	-

Customer Drawing	SCALE	5:1	SHEET	7 OF 9	REV	8
------------------	-------	-----	-------	--------	-----	---

THIS DRAWING IS UNPUBLISHED.

RELEASED FOR PUBLICATION

© COPYRIGHT -

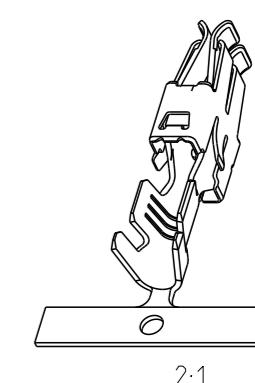
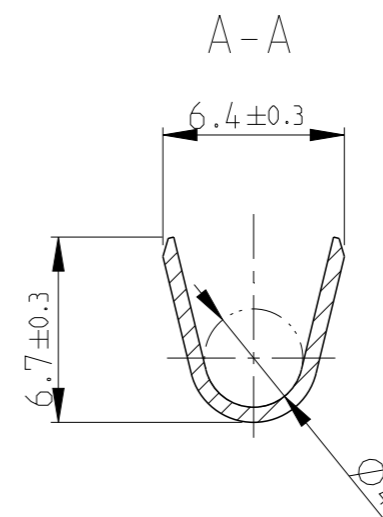
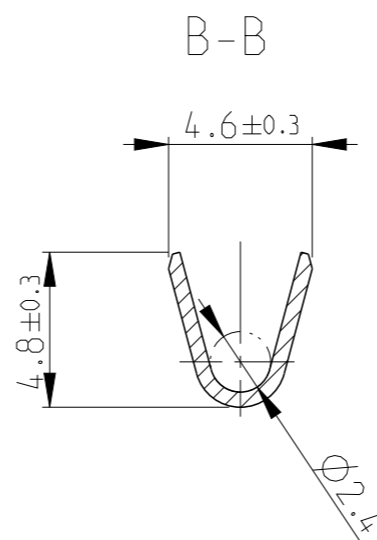
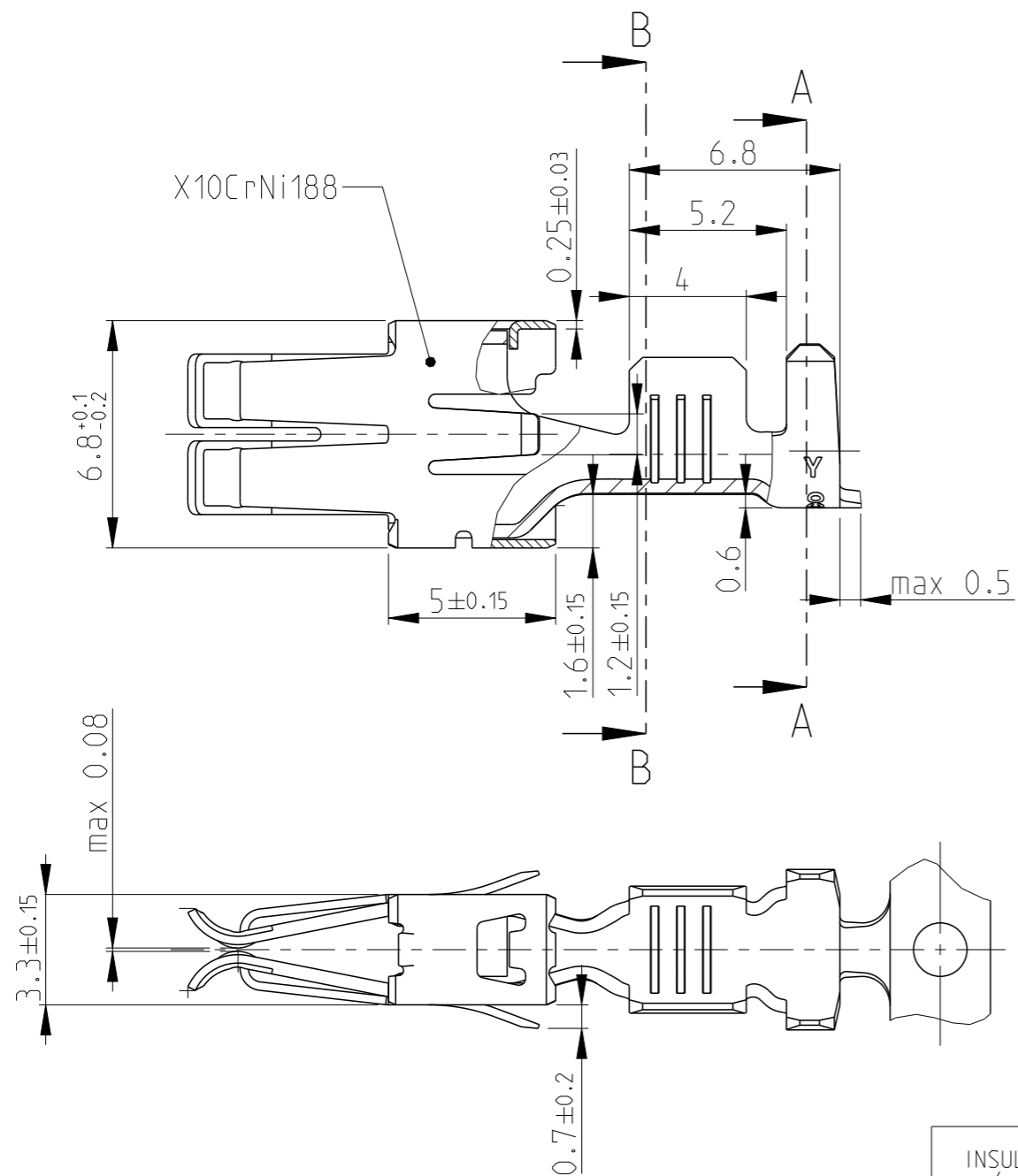
ALL RIGHTS RESERVED.

LOC DIST

REVISIONS

P	LTR	DESCRIPTION	DATE	DWN	APVD
-	-	SEE SHEET 1	-	-	-

ONLY FOR 3-964328-1  
OTHER DIMENSIONS SEE SHEET 1



INSUL. RANGE Ø 3.3-4.5 mm	WIRE RANGE >2.5-4.0 mm <sup>2</sup>
---------------------------------	---

THIS DRAWING IS A CONTROLLED DOCUMENT.

DIMENSIONS: mm	TOLERANCES UNLESS OTHERWISE SPECIFIED: ±0.2 ±1°
MATERIAL -	FINISH -

-	PRETINNED	CuFe2	3-964328-1	A
LP NO	FINISH	MATERIAL	PART NO.	REV
DWN ATZMANN 06.01.94	CHK BARTOSCH 18.01.94	APVD Bleicher, M. 28.11.07	NAME STANDARD POWER TIMER KONTAKT ( Gerade Tulpe )	
PRODUCT SPEC 108-18025	APPLICATION SPEC 114-18037	WEIGHT 0.82 g	SIZE A3	CAGE CODE 00779
Customer Drawing			DRAWING NO C=964203	RESTRICTED TO -
SCALE 5:1		SHEET 8 OF 9		REV C8





THIS DRAWING IS UNPUBLISHED.

RELEASED FOR PUBLICATION

© COPYRIGHT -

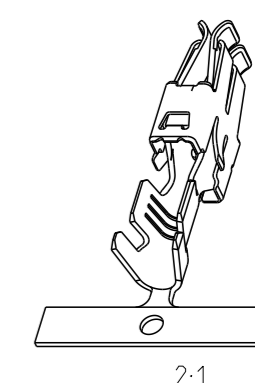
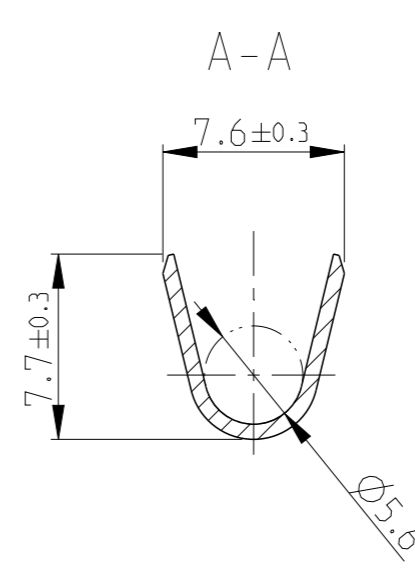
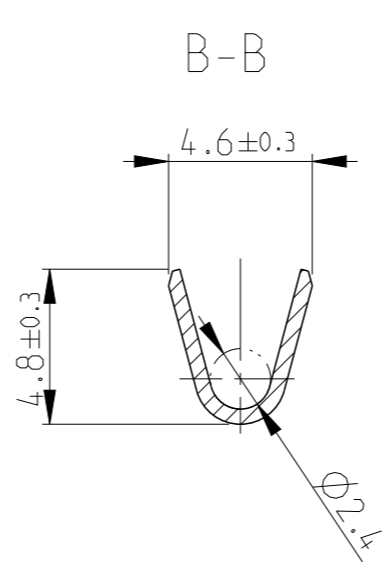
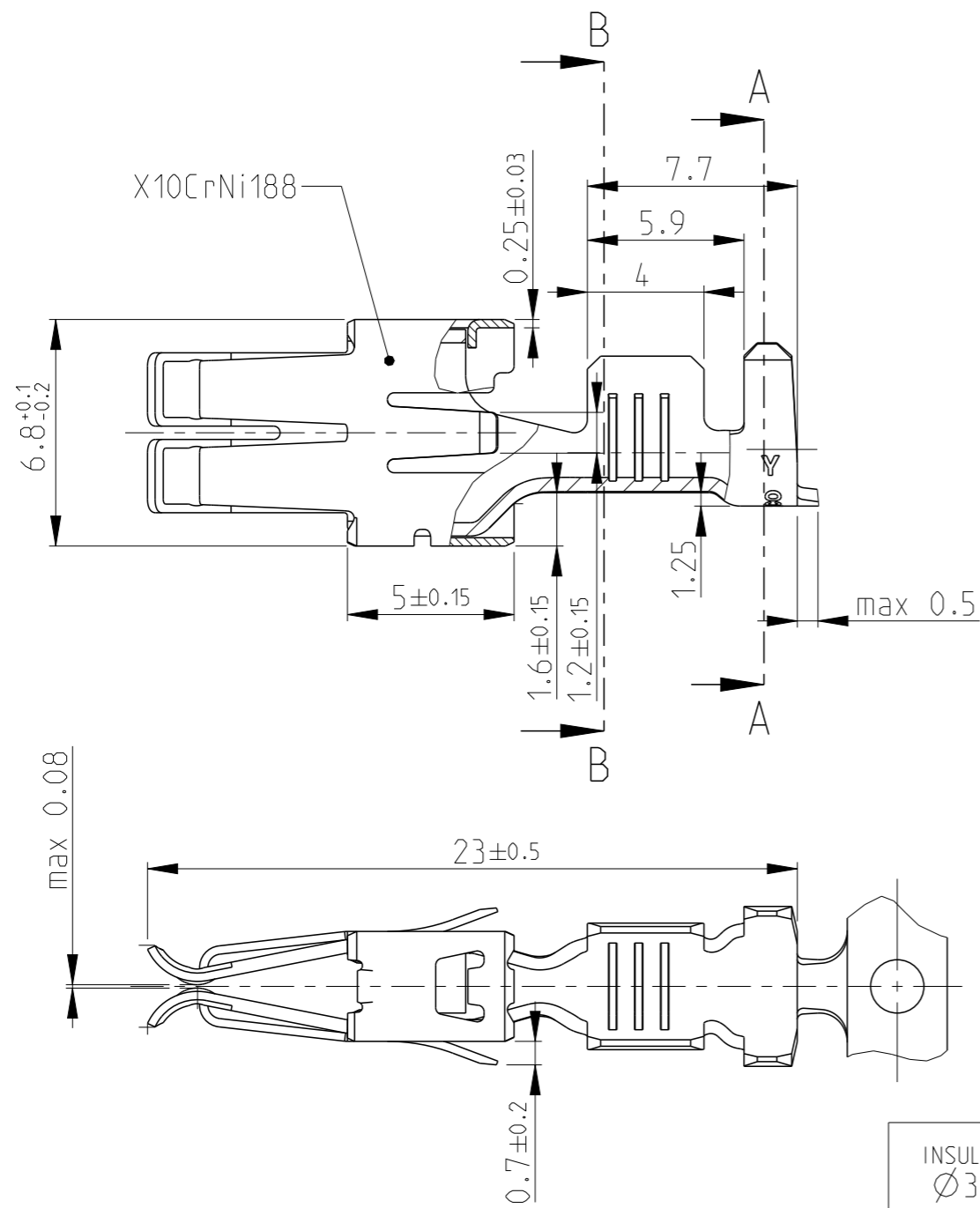
ALL RIGHTS RESERVED.

LOC DIST

REVISIONS

P	LTR	DESCRIPTION	DATE	DWN	APVD
-	-	SEE SHEET 1	-	-	-

ONLY FOR 3-968037-2  
OTHER DIMENSIONS SEE SHEET 1



INSUL. RANGE Ø3.4-3.7 mm	WIRE RANGE >2.5-4.0 mm <sup>2</sup>
--------------------------------	---

-	PRETINNED	CuSn4	3-968037-2	A
LP NO	FINISH	MATERIAL	PART NO.	REV

THIS DRAWING IS A CONTROLLED DOCUMENT.

DIMENSIONS: mm	TOLERANCES UNLESS OTHERWISE SPECIFIED: ±0.2
	0 PLC ± 1 PLC ± 2 PLC ± 3 PLC ± 4 PLC ±
MATERIAL	FINISH
-	-

DWN ATZMANN 06.01.94	TE Connectivity NAME STANDARD POWER TIMER KONTAKT ( Gerade Tulpe )			
CHK BARTOSCH 18.01.94				
APVD Bleicher, M. 28.11.07				
PRODUCT SPEC 108-18025				
APPLICATION SPEC 114-18037	SIZE A3	CAGE CODE 00779	DRAWING NO C-964203	RESTRICTED TO
WEIGHT 0.82 g	SCALE 5:1	SHEET 9 OF 9	REV C8	
Customer Drawing				