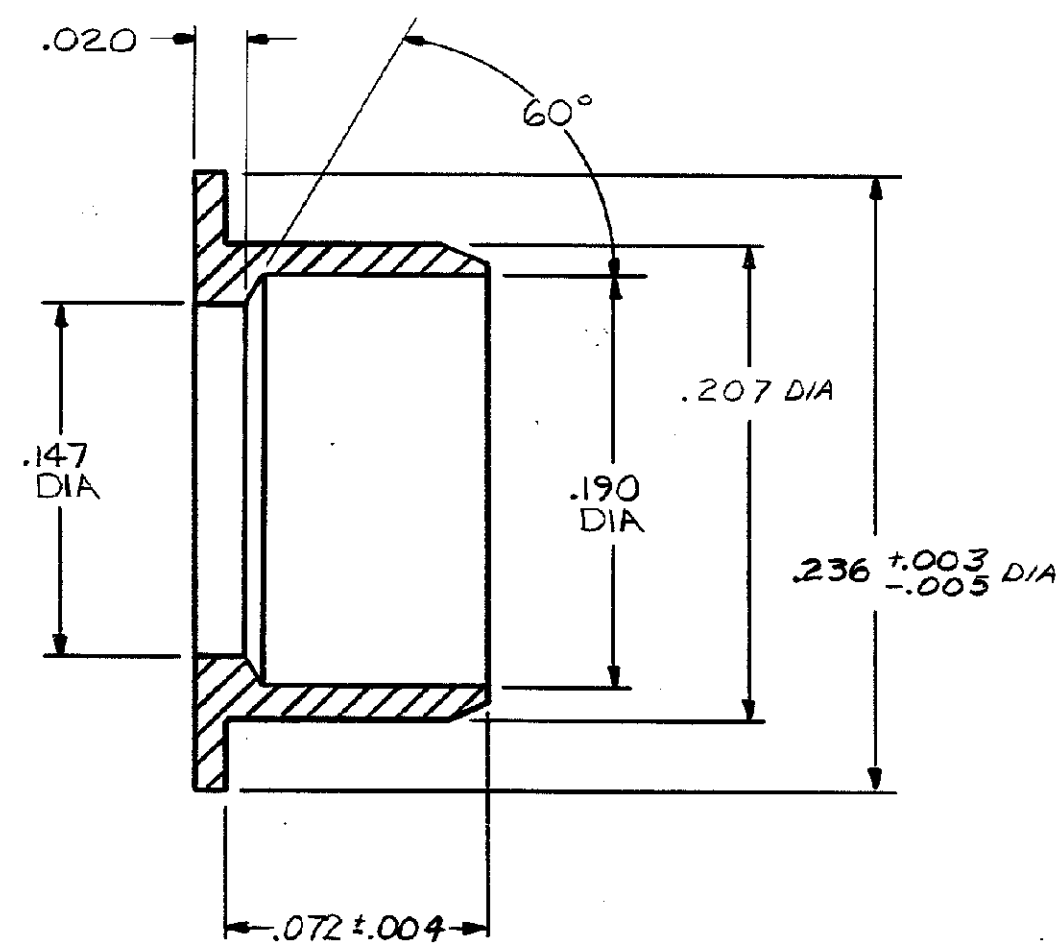


DRAWING MADE IN THIRD ANGLE PROJECTION

THIS DRAWING IS UNPUBLISHED. RELEASED FOR PUBLICATION . 19
 © COPYRIGHT 19 BY AMP INCORPORATED, HARRISBURG, PA. ALL INTERNATIONAL RIGHTS RESERVED. AMP PRODUCTS MAY BE COVERED BY U.S. AND FOREIGN PATENTS AND/OR PATENTS PENDING.

MOD 38 1 LOC AJ DIST 16

REVISIONS						
P	F	ZONE	LTR	DESCRIPTION	DATE	APPROVED
✓	✓		B	REV & REDWN PER ECN AJ-1096	1-7-85	mjl
✓	✓		C	REV PER AJ-1773	1-27-86	RCH
✓	✓		D	REV PER AJ-2049	7-15-86	DM RCH
✓	✓		E	REV PER AJ-2404	12-22-86	BAM / DH



⚠ NYLON PER MIL-M-20693
 COLOR: BLACK

223616-1

PART NO

UNLESS OTHERWISE SPECIFIED DIMENSIONS ARE IN INCHES. TOLERANCES ON: DECIMALS ±.003 ANGLES ± 5°	CONTRACT NO	AMP AMP INCORPORATED Harrisburg, Pa.	
	DR <i>M/done 1-7-85</i>		
MATERIAL ⚠	CHK <i>P. Kerlin 1-7-85</i>	NAME <i>RING ALIGNMENT SIZE 8</i>	
	APPD <i>R. Hagg 1/7/85</i>	SIZE B	FSCM NO 00779
FINISH —	DSGN APPD	DRAWING NO 228616-1	
	OTHER APPD <i>M/done 1-7-85</i>	SCALE NTS	SHEET —

Mouser Electronics

Authorized Distributor

Click to View Pricing, Inventory, Delivery & Lifecycle Information:

[TE Connectivity:](#)

[228616-1](#)