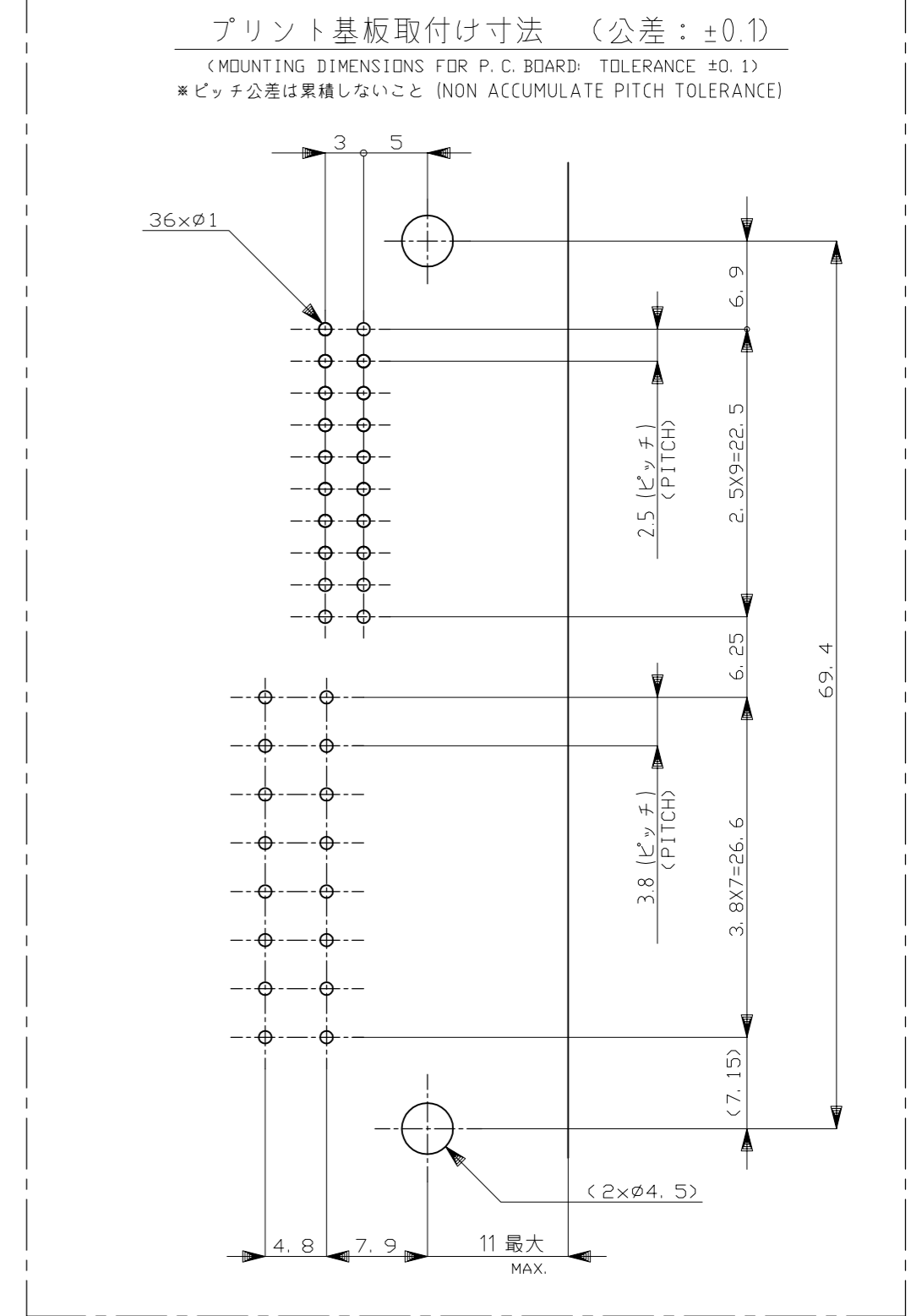
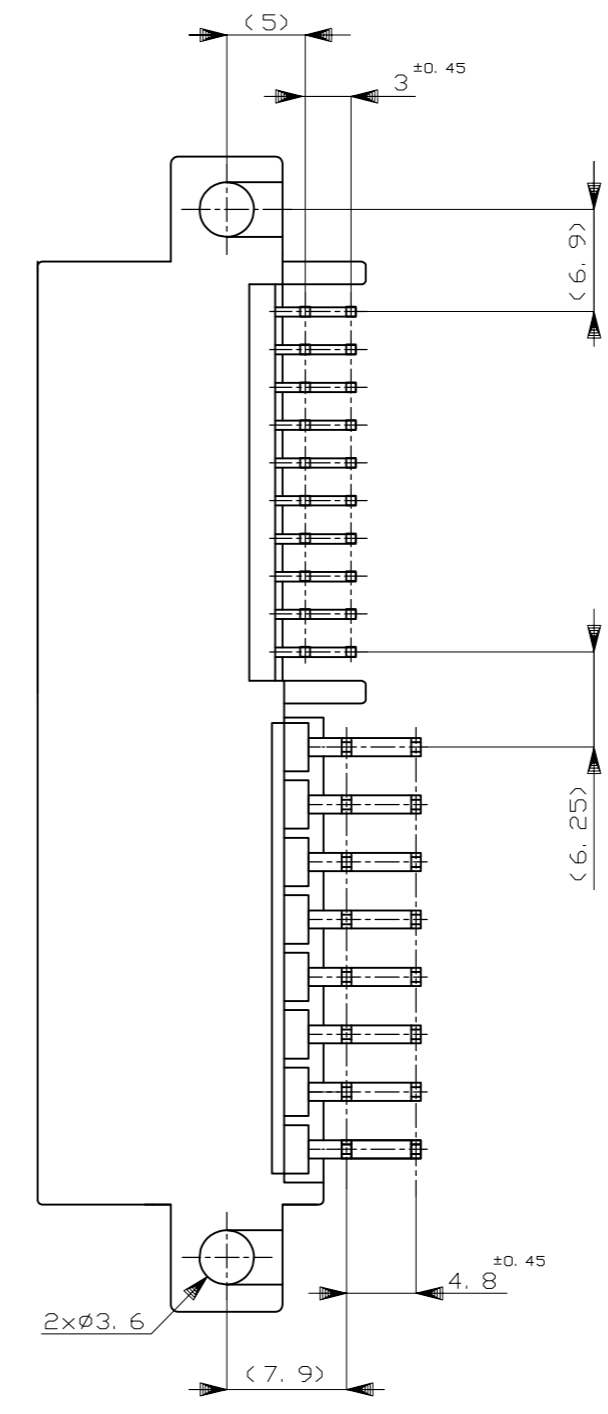
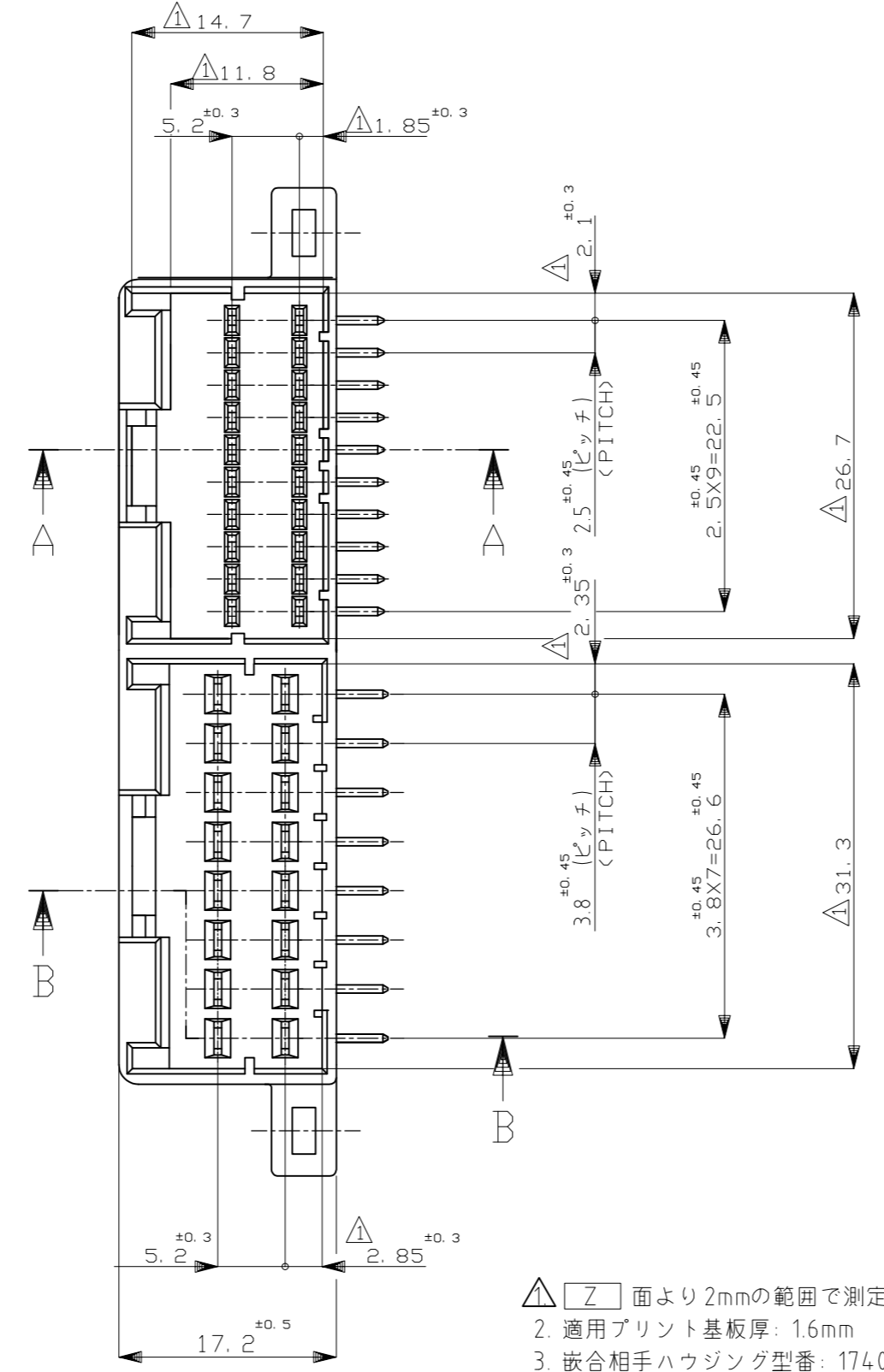
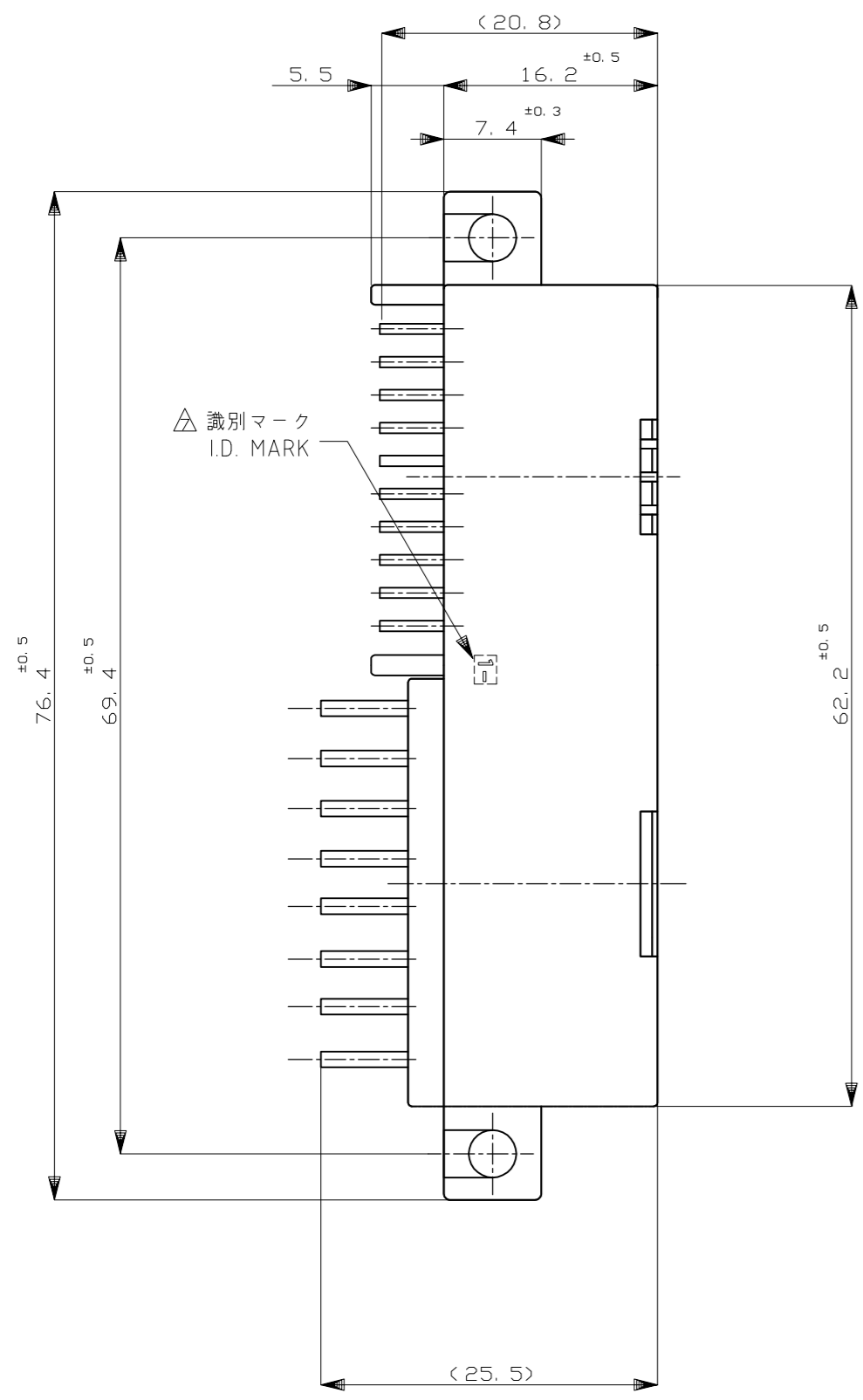
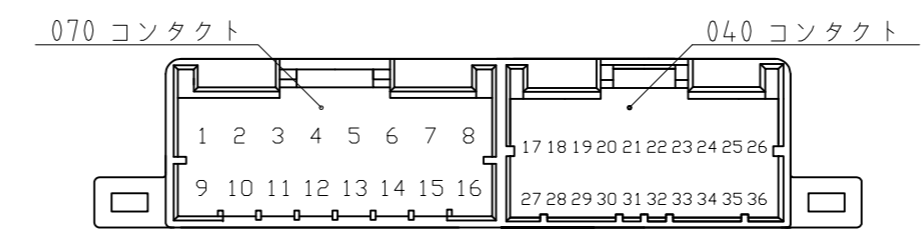


THIS DRAWING IS UNPUBLISHED. RELEASED FOR PUBLICATION  
 © COPYRIGHT - Tyco Electronics Japan G.K. ALL RIGHTS RESERVED.

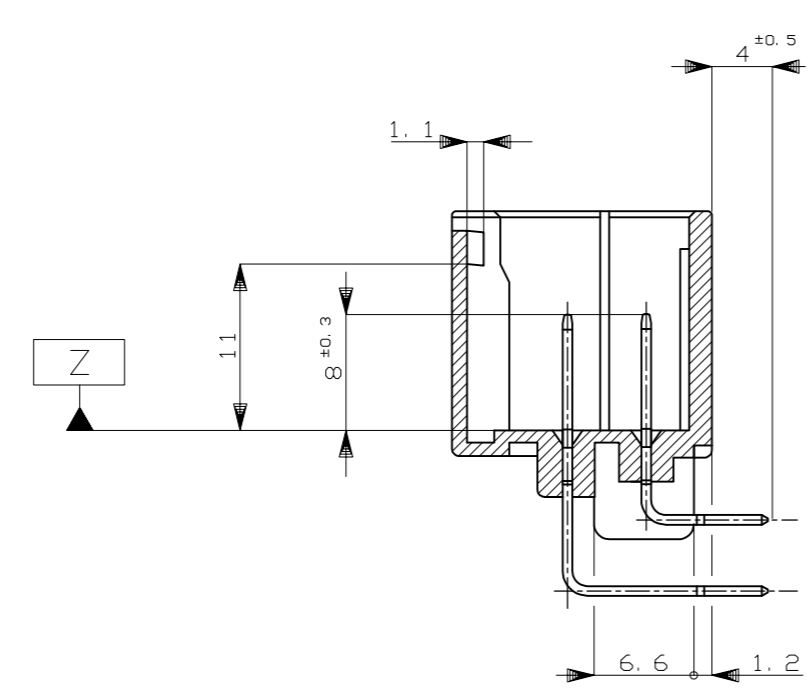
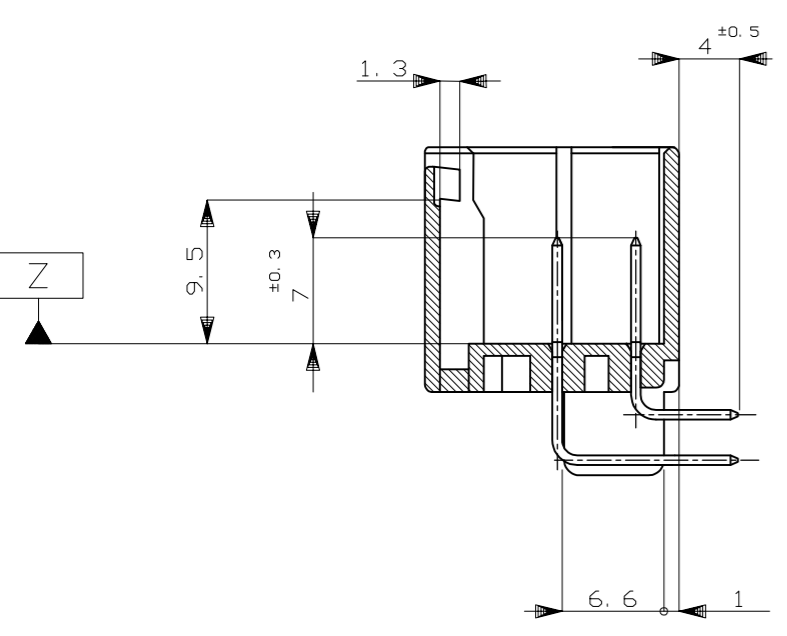
LOC		DIST		REVISIONS			
J		-		変更	DATE	DWN	APVD
P	LTR	DESCRIPTION		DATE	DWN	APVD	
A		REVISED		ECR-15-008944	17JUN15	KF	RK



- △ Z 面より2mmの範囲で測定
- 2. 適用プリント基板厚: 1.6mm
- 3. 嵌合相手ハウジング型番: 174047, 174147
- 4. 推奨取付けねじ: JIS B1115, B1122 タッピングねじ. なべ2種  
呼び径4、長さ7mm以上 (締付けトルク: 58.8N-cm (6Kg-cm)以下)
- △ コンタクトの仕上げ: 錫めっき済、又は接触部分金めっき  
(金めっきコンタクトの位置は表参照)
- △ 回路番号



△ 適用製品型番の識別マーク (I.D. MARK) をホットマークにて表示



MARKING	SOLDERING SIDE	CONTACT SIDE	GOLD PLATED CIRCUIT NO.	COLOR	PART NUMBER
52-	PRE-TIN X 26	SELECTIVE GOLD X 10	17~21,24,27~29,31	BLACK 黒色	2-5178460-2
2-	SELECTIVE-TIN (MATTE) PRE-TIN X 26	SELECTIVE GOLD X 10	17~21,24,27~29,31	BLACK 黒色	2-178460-2
-	TIN-LEAD	SELECTIVE GOLD X 10	-	BLACK 黒色	178460-1
	PRE-TIN X 36		-	BLACK 黒色	178460-1
△	CONTACT FINISH コンタクト仕上		△ 6 金めっき回路番号		

- △ TO BE MEASURED WITHIN 2mm FROM Z
- 2. APPLICABLE P.C. BOARD THICKNESS; 1.6mm
- 3. THE MATING PLUG HOUSING PART NUMBER; 174047, 174147
- 4. RECOMMENDED MOUNTING SCREW; 4mm DIA, 7mm LENGTH (MIN.)  
PAN HEAD, CLASS 2 TAPPING SCREW SPECIFIED IN JIS B1115, B1122 (TIGHTENING TORQUE; 58.8N-cm (6Kg-cm) MAX.)
- △ FINISH OF CONTACT; PRE-TINNED OR SELECTIVE GOLD PLATING  
(FOR THE CIRCUIT NUMBER OF GOLD PLATING CONTACT, SEE THE TABLE)
- △ CIRCUIT NUMBER
- △ I.D. MARK OF PRODUCT PART NUMBER BY HOT MARK

THIS DRAWING IS A CONTROLLED DOCUMENT.

DWN	M.SUGAWARA	13JUL06
CHK	K.BETSUI	13JUL06
APVD	K.BETSUI	13JUL06
PRODUCT SPEC	製品規格	
APPLICATION SPEC	取付適用規格	
WEIGHT	13.7g	
CUSTOMER DRAWING	SCALE 2:1 SHEET 1 OF 1 REV A	

TE Connectivity  
 36POSITION CAP HOUSING ASSEMBLY (HORIZONTAL TYPE)  
 040/070 COMBI. TYPE MULTI-LOCK I/O CONNECTOR

SIZE A2 CAGE CODE 00779 DRAWING NO. C=178460

# Mouser Electronics

Authorized Distributor

Click to View Pricing, Inventory, Delivery & Lifecycle Information:

[TE Connectivity:](#)

[2-178460-2](#)