

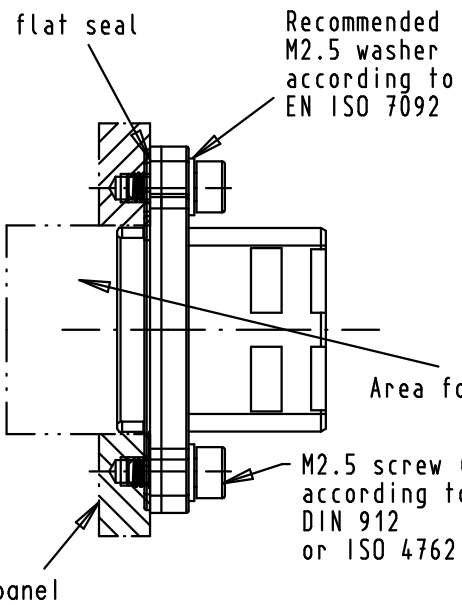
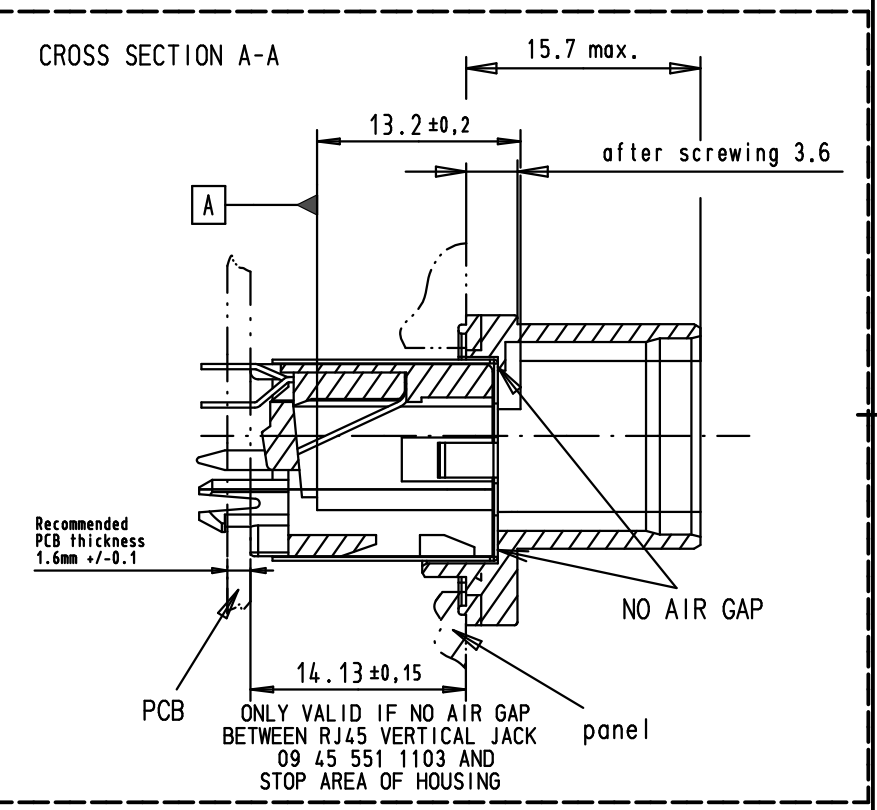
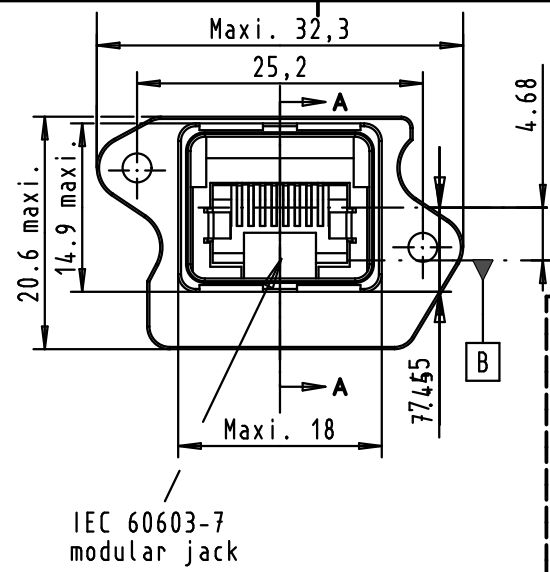
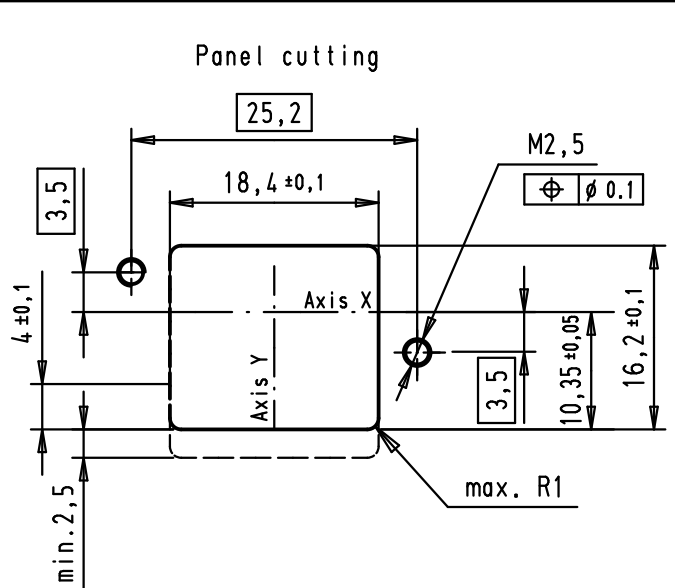
1 2 3 4 5 6

A

B



C

D



Connector pitches on panel:  
 Axis X= 27 mm and Axis Y = 21 mm  
 Receptacle mating face acc. to  
 600076-3-106 IEC - variant 4

RJ45 jack mating references A and B  
 according to IEC 60603-7  
 (1) Screwing torque = 0.3 N.m

				Dot.	Name	 All Dim. in mm Orig. Size DIN A 4	Push pull RJ Industrial black thermoplastic IP67 receptacle with overmolded seal with position dimensions of Harting vertical jacks P/N 09 45 551 1103	Maßstab/ Scale 1,5:1
			Detail.	28/10/08	AB			
			Insp.					
			Stand.					
35413	17/11/08	AB	HARTING EURL F-95972 Paris				TB 09 45 545 00 27	Blatt/ Page 1 / 1
35400	28/10/08	AB	Mod.	Dot.	Name			

# Mouser Electronics

Authorized Distributor

Click to View Pricing, Inventory, Delivery & Lifecycle Information:

[HARTING:](#)

[09455450027](#)