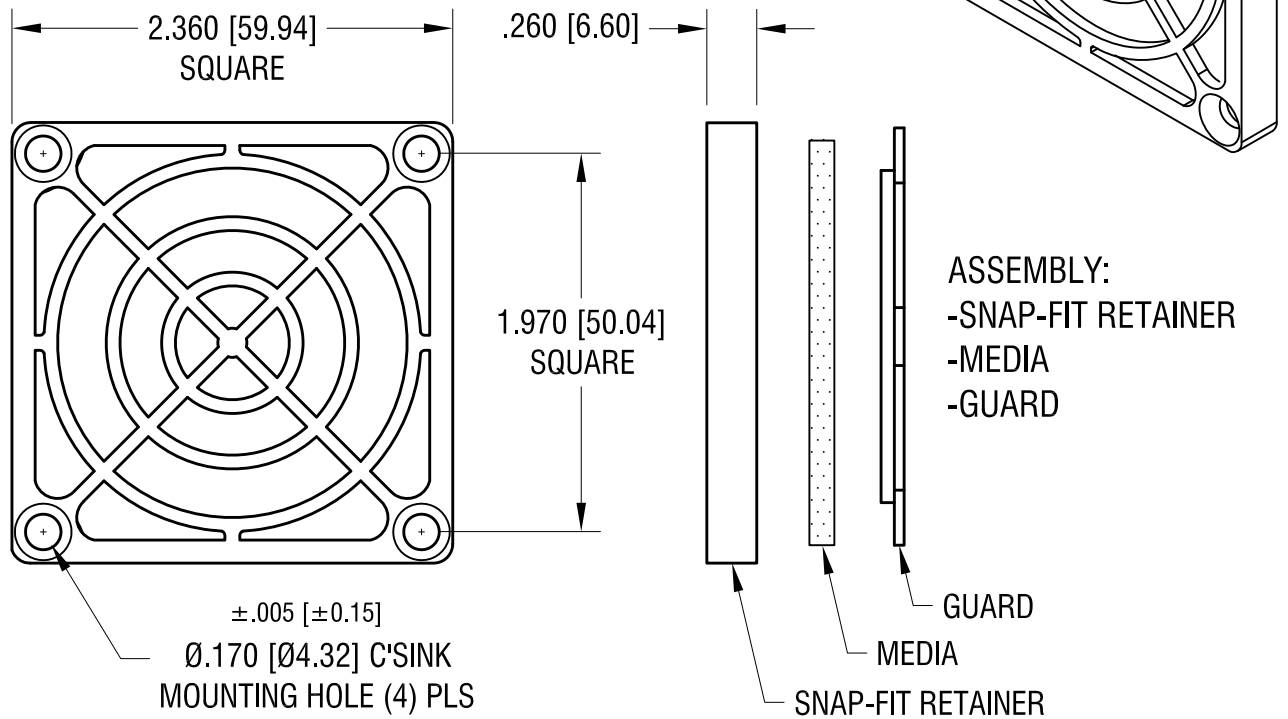


THIS DOCUMENT IS THE PROPERTY OF  
KEYSTONE ELECTRONICS CORP. AND  
SHALL NOT BE REPRODUCED, DISTRIBUTED  
OR USED AS A BASIS FOR MANUFACTURE  
WITHOUT PRIOR WRITTEN PERMISSION  
FROM KEYSTONE ELECTRONICS CORP.



NOTES:

1. RETAINER: MAT'L - ABS UL 94V-0  
MEDIA: MAT'L - POLYURETHANE FOAM  
GUARD: MAT'L - ABS UL 94V-0

3.25.10	CHANGE AS PER ECN 10-024	A
DATE	DESCRIPTION	REV.

<b>KEYSTONE ELECTRONICS CORP.</b>			
www.keyelco.com • ASTORIA, N.Y. 11105-2017 • Tel (718) 956-8900			
PART NAME		MINI-FAN GUARD ASSEMBLY	
MATERIAL		AS NOTED	
FINISH	DRN BY	BOONE	DATE
-	APP'D	LN	12.11.06
TOLERANCES	INCH	[MM]	CODE
DECIMAL	± .020	[± 0.50 ]	C/M
ANGULAR	± 1°		
UNLESS OTHERWISE SPECIFIED			
DWG NO.		<b>8465</b>	

# Mouser Electronics

Authorized Distributor

Click to View Pricing, Inventory, Delivery & Lifecycle Information:

[Keystone Electronics:](#)

[8465](#)