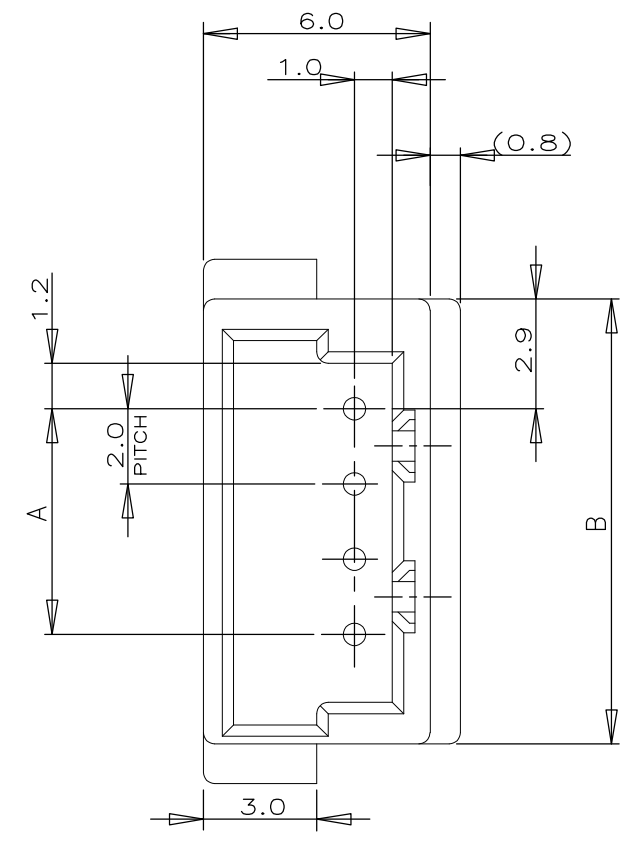
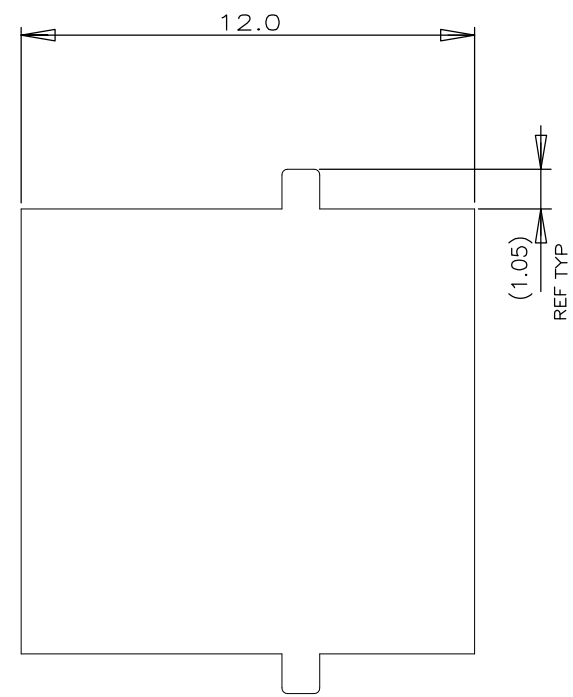
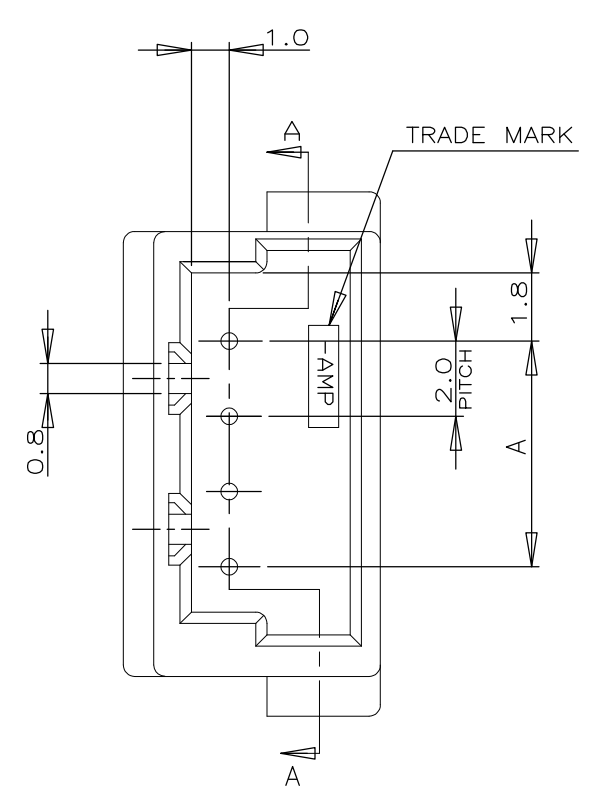
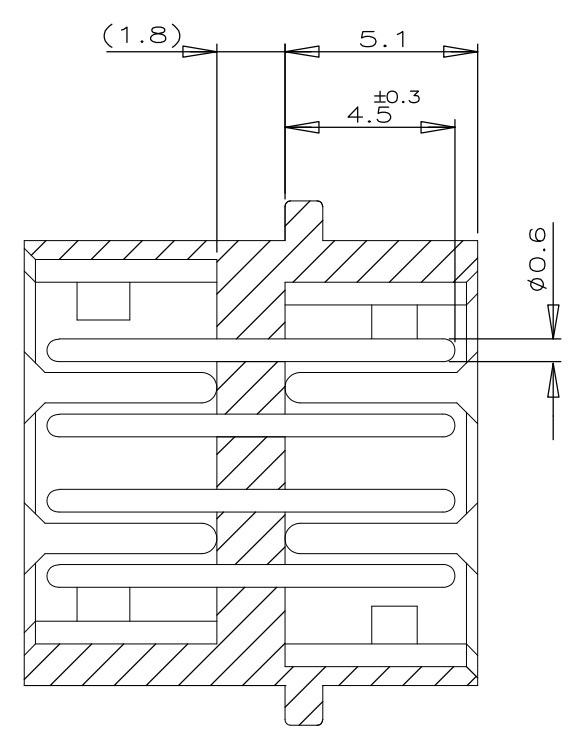
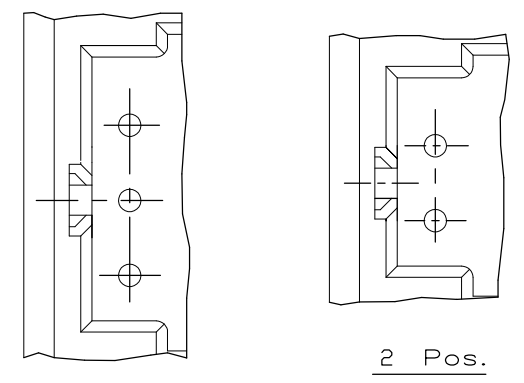


THIS DRAWING IS UNPUBLISHED. RELEASED FOR PUBLICATION  
 © COPYRIGHT - By - ALL RIGHTS RESERVED.

LOC	DIST	REVISIONS					
P	LTR	DESCRIPTION	DATE	DWN	APVD		
FB	00	P		REVISED PER ECO-11-005033	28MAR11	RK	HMR



NOTES;  
 ▲ MATERIAL: HOUSING - 66 NYLON (UL94V-0)  
 POST - TIN BRASS



6-	▲ -6	4-	▲ -6	2-	▲ -6	▲ -6	6	15.8	10.0
6-	-5	4-	-5	2-	-5	-5	5	13.8	8.0
6-	-4	4-	-4	2-	-4	-4	4	11.8	6.0
6-	-3	4-	-3	2-	-3	-3	3	9.8	4.0
6-292156-2		4-292156-2		2-292156-2		292156-2	2	7.8	2.0
BLACK		YELLOW		BLUE		NATURAL	Pos.	B	A

SECT. A-A

TOLERANCES UNLESS OTHERWISE SPECIFIED:  
 10 >\* : ±0.2  
 30 >\* >10 : ±0.25  
 100 >\* >30 : ±0.3  
 ANGEL : ±3°

THIS DRAWING IS A CONTROLLED DOCUMENT.

DWN	S.XU	31JAN03	 TE Connectivity
CHK	S.YAO	31JAN03	
APVD	T.SASAKI	31JAN03	
PRODUCT SPEC			
APPLICATION SPEC			NAME
WEIGHT	-		FREE HANGING TYPE RELAY POST HEADER ASS'Y (AMP CT CONN. 2mm PITCH)
			SIZE
			CAGE CODE
			DRAWING NO
			RESTRICTED TO
CUSTOMER DRAWING			SCALE 5:1
			SHEET 1 OF 1
			REV P

# Mouser Electronics

Authorized Distributor

Click to View Pricing, Inventory, Delivery & Lifecycle Information:

[TE Connectivity:](#)

[2-292156-5](#)