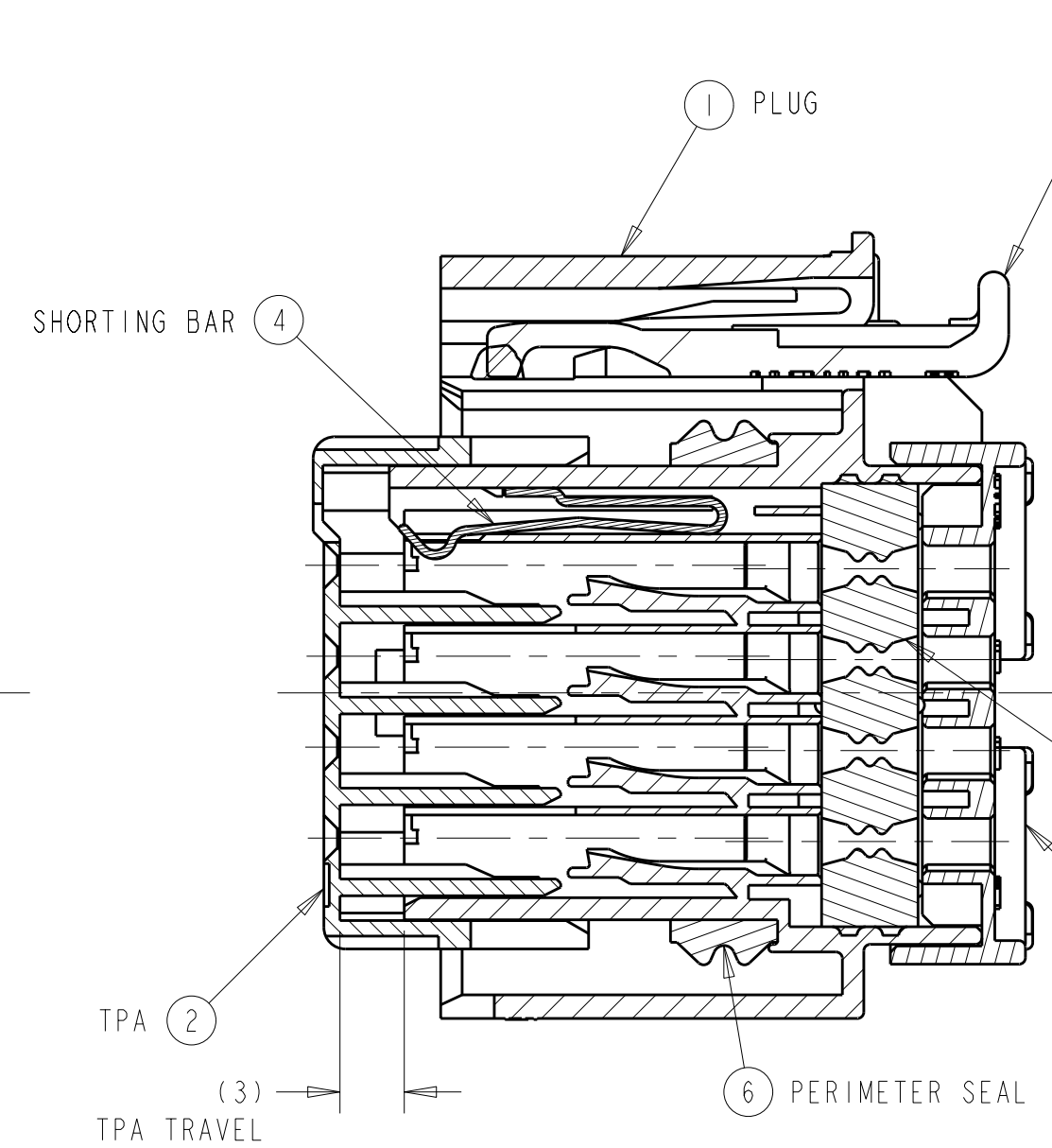
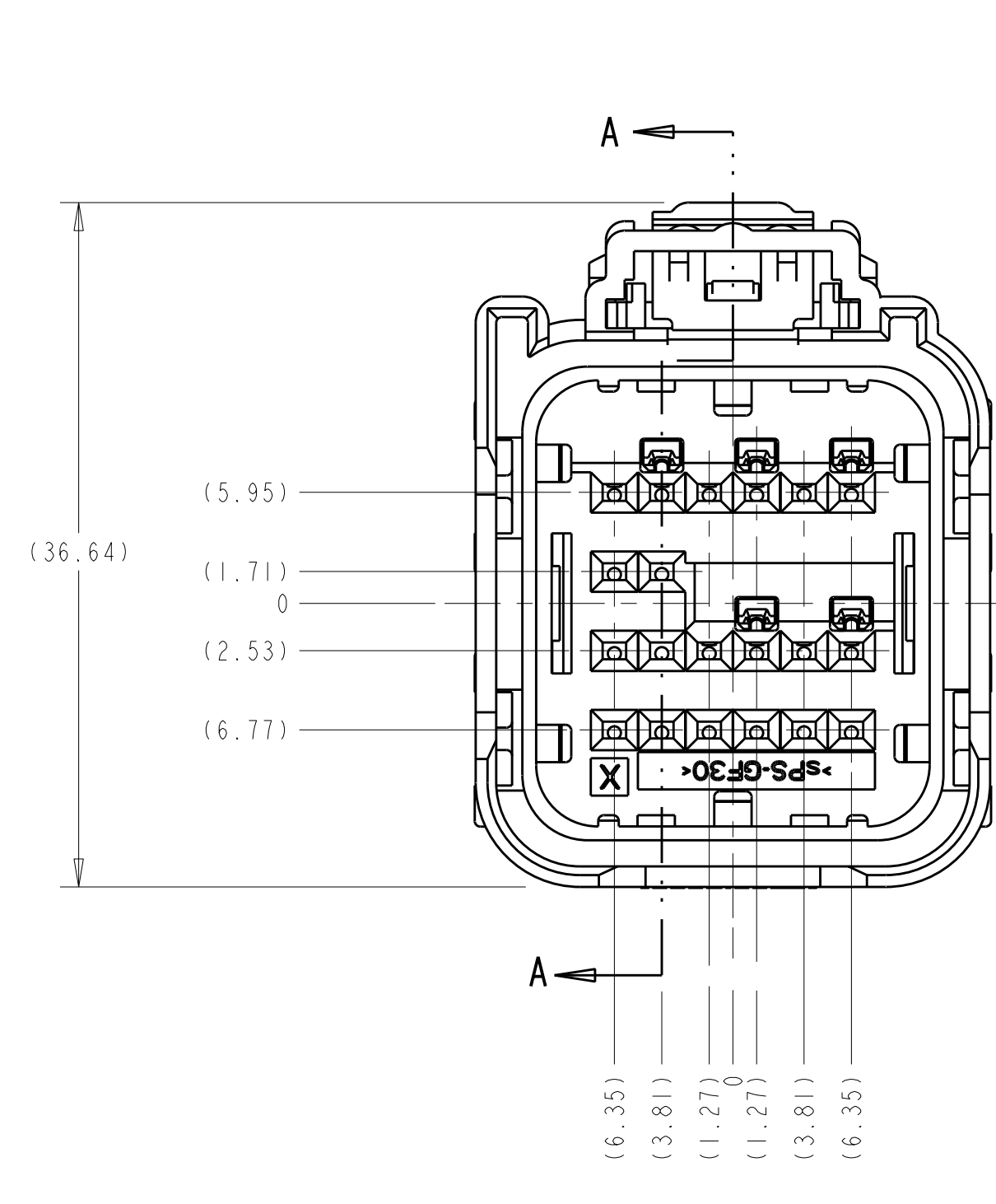
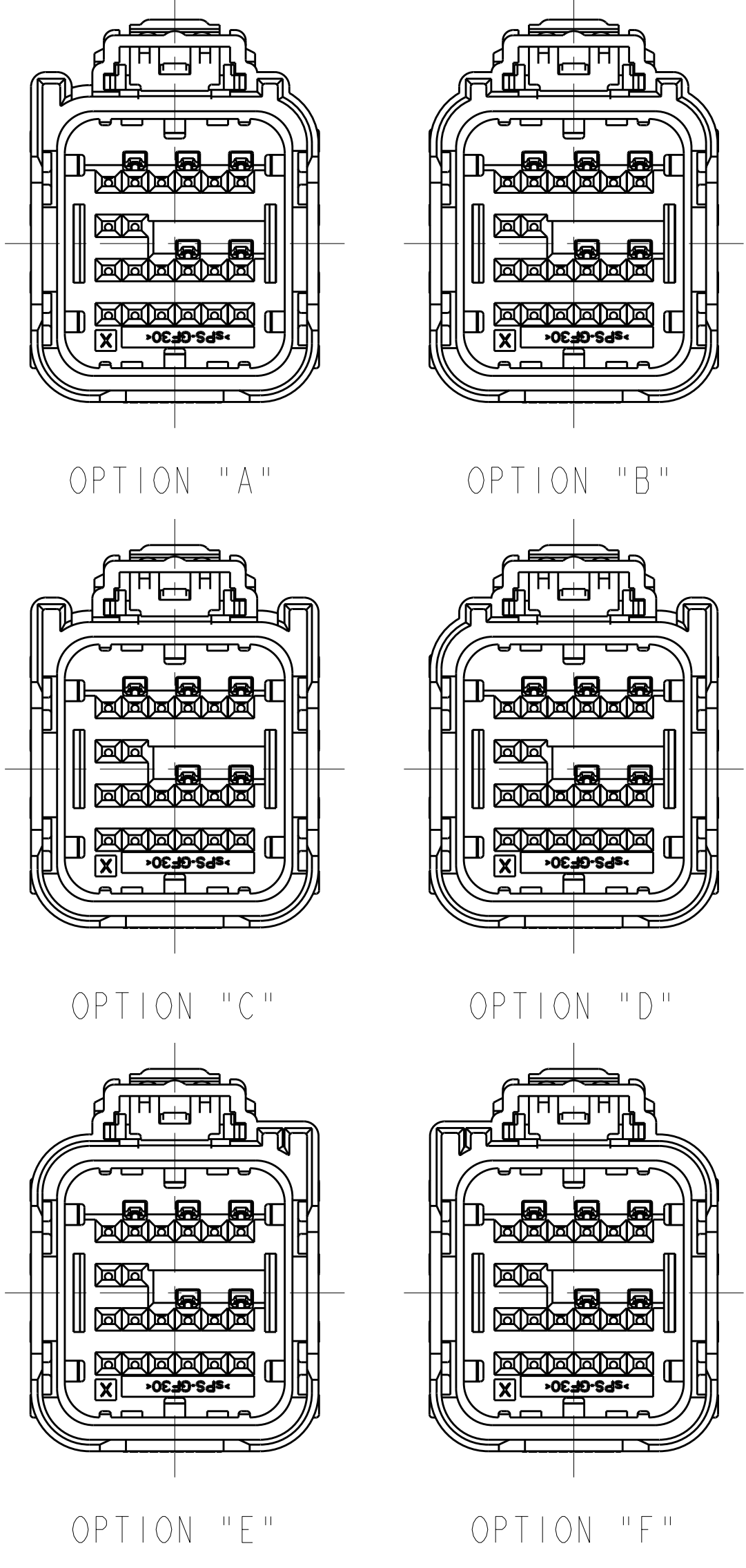
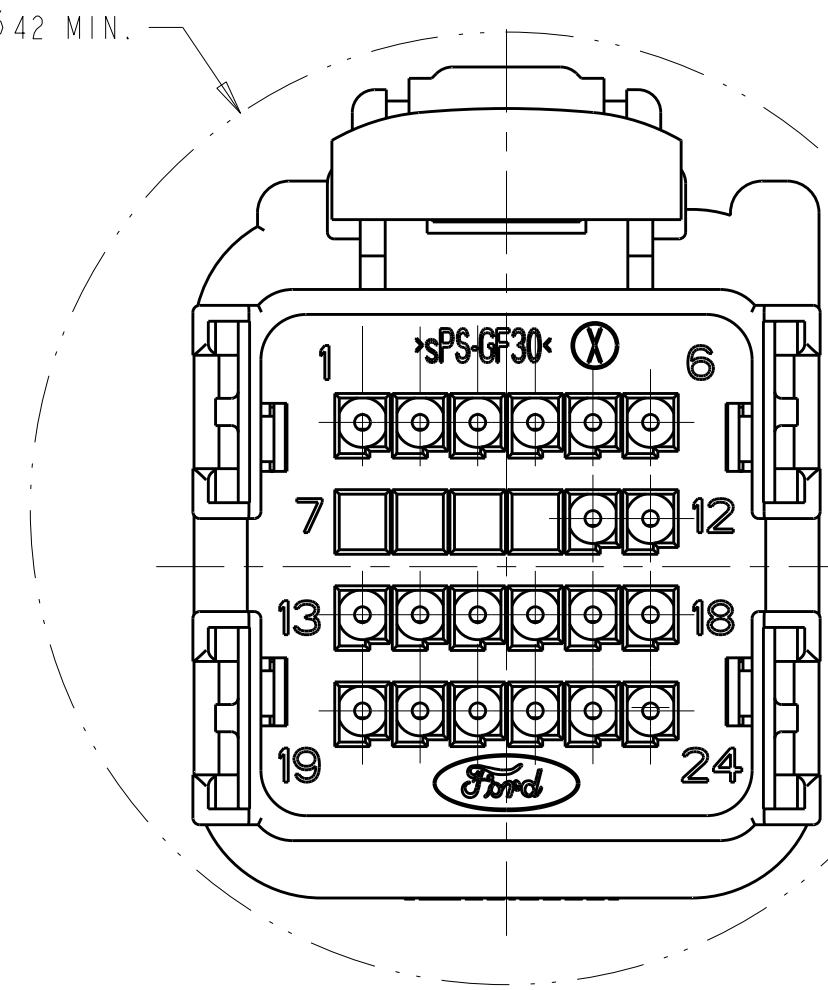


LOC	DIST	REV	DATE	BY	APPD
FX	00	D	19MAY2009	DLD	WTW

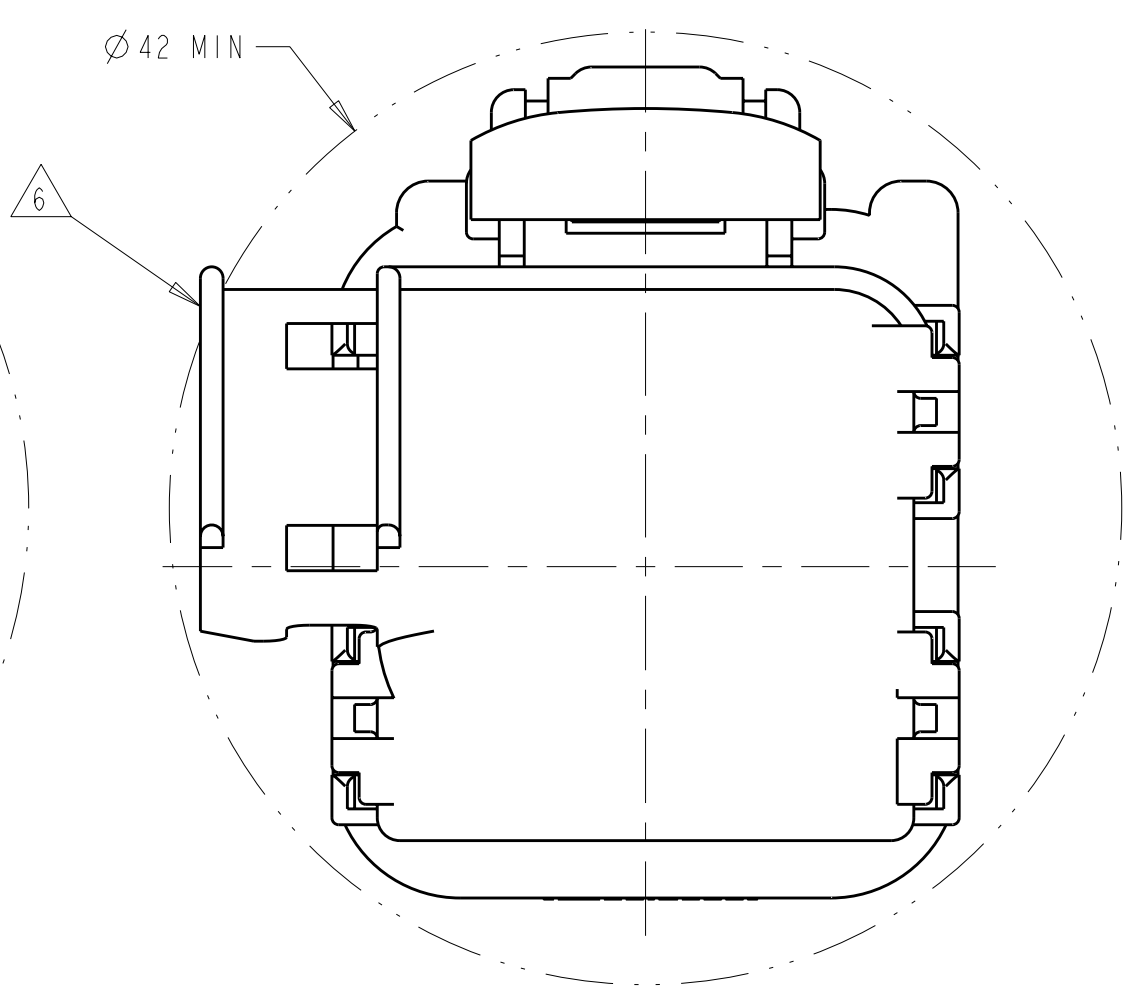
KEYING OPTIONS
 SCALE 2:1



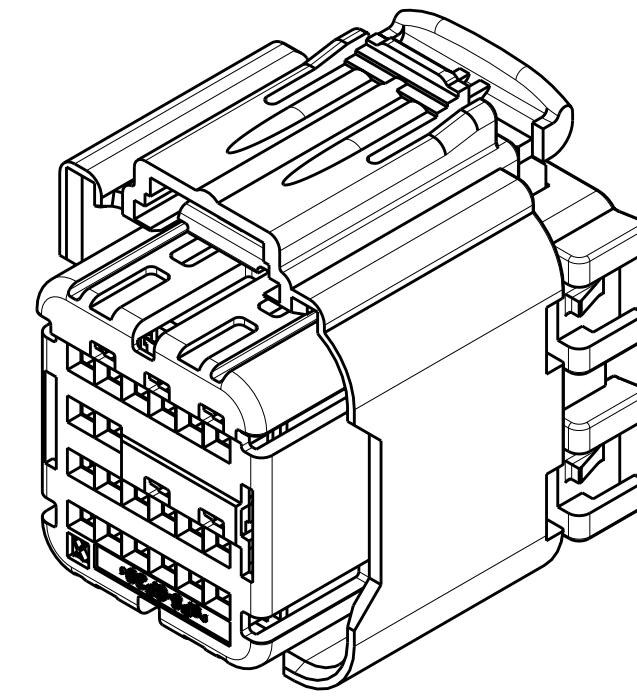
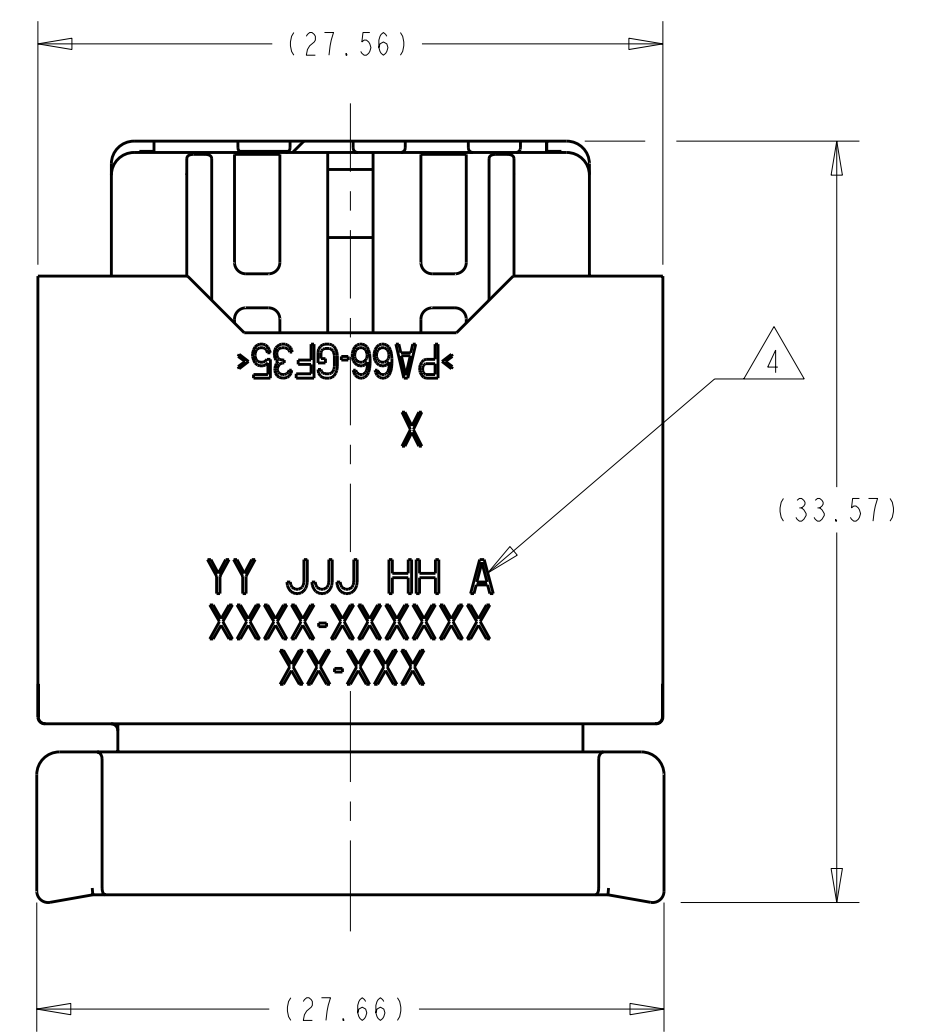
SECTION A-A
 SHOWN WITH TPA IN
 IT'S PRE-LOADED POSITION
 (DELIVERY CONDITION)



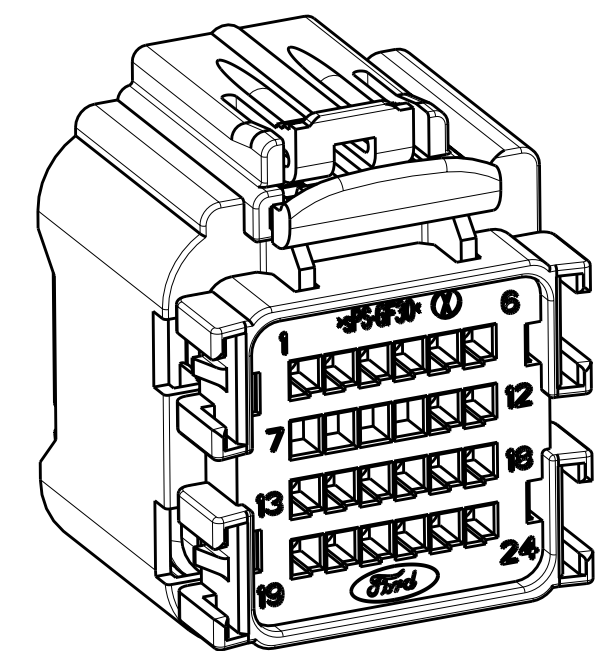
MINIMUM FEED THROUGH CONDITION
 WITH 1mm CLEARANCE ALL AROUND



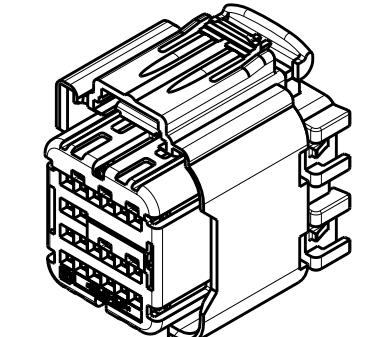
MINIMUM FEED THROUGH CONDITION
 WITH 1mm CLEARANCE ALL AROUND
 SHOWN WITH OPTION WIRESHIELD



SCALE 2:1



SCALE 2:1



SCALE 1:1

KEYING OPTION "A" SHOWN

ITEM	DESCRIPTION	MATERIAL	FINISH/COLOR
7	CPA	PBT-GF15	RED
6	PERIMETER SEAL	SILICONE	GREEN
5	GROMMET	SILICONE	BROWN
4	SHORTING BAR	S.S.	SEE COMPONENT DRAWING
3	COVER	PA66 35% GF	BLACK
2	SPACER FOR SHORTING BAR APPLICATIONS	sPS 30% GF	NATURAL
1	PLUG WITH KEYING OPTION "D" AND 5 SHORTING BAR POSITIONS CONFIGURATION	PA66 35% GF	BLACK
1	PLUG WITH KEYING OPTION "C" AND 5 SHORTING BAR POSITIONS CONFIGURATION	PA66 35% GF	BLACK
1	PLUG WITH KEYING OPTION "B" AND 5 SHORTING BAR POSITIONS CONFIGURATION	PA66 35% GF	BLACK
1	PLUG WITH KEYING OPTION "A" AND 5 SHORTING BAR POSITIONS CONFIGURATION	PA66 35% GF	BLACK

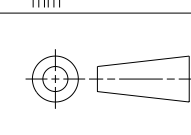
ITEM	DESCRIPTION	MATERIAL	FINISH/COLOR
1	PLUG WITH KEYING OPTION "D" AND 5 SHORTING BAR POSITIONS CONFIGURATION	PA66 35% GF	BLACK
1	PLUG WITH KEYING OPTION "C" AND 5 SHORTING BAR POSITIONS CONFIGURATION	PA66 35% GF	BLACK
1	PLUG WITH KEYING OPTION "B" AND 5 SHORTING BAR POSITIONS CONFIGURATION	PA66 35% GF	BLACK
1	PLUG WITH KEYING OPTION "A" AND 5 SHORTING BAR POSITIONS CONFIGURATION	PA66 35% GF	BLACK

DIMENSIONS: mm
 TOLERANCES UNLESS OTHERWISE SPECIFIED:
 9 PLC ±0.3
 5 PLC ±0.10
 4 PLC ±0.15
 ANGLES ±°
 MATERIAL: SEE CHART ABOVE
 FINISH: -
 WEIGHT: SEE NOTE 5
 CUSTOMER DRAWING: A1100779
 Tyco Electronics Harrisburg, PA 17105-3608
 24 WAY ARM PLUG ASSEMBLY WITH SHORTING BARS CUSTOMER SPEC.
 SCALE 3:1 SHEET 1 OF 3 REV D

THIS DRAWING IS UNPUBLISHED. RELEASED FOR PUBLICATION 20
 © COPYRIGHT 20 BY TYCO ELECTRONICS CORPORATION. ALL RIGHTS RESERVED.

LOC		DIST		REVISIONS			
P	LTG	DESCRIPTION	DATE	DNW	APVD		
-	-	SEE SHEET 1	-	-	-		

ITEM	ASSEMBLY PART NUMBER	DESCRIPTION	MATERIAL	FINISH/COLOR
	7	CPA	PBT-GF15	RED
	6	PERIMETER SEAL	SILICONE	GREEN
	5	GROMMET	SILICONE	BROWN
	4	SHORTING BAR	S.S.	SEE COMPONENT DRAWING
	3	COVER	PA66 35% GF	BLACK
	2	SPACER FOR SHORTING BAR APPLICATIONS	sPS 30% GF	NATURAL
	1	PLUG WITH KEYING OPTION "D" AND 5 SHORTING BAR POSITIONS CONFIGURATION	PA66 35% GF	BLACK
		PLUG WITH KEYING OPTION "C" AND 5 SHORTING BAR POSITIONS CONFIGURATION	PA66 35% GF	BLACK
		PLUG WITH KEYING OPTION "B" AND 5 SHORTING BAR POSITIONS CONFIGURATION	PA66 35% GF	BLACK
		PLUG WITH KEYING OPTION "A" AND 5 SHORTING BAR POSITIONS CONFIGURATION	PA66 35% GF	BLACK
		QUANTITY		

DIMENSIONS: mm 		TOLERANCES UNLESS OTHERWISE SPECIFIED: 9 PLC ±.3 1 PLC ±0.10 5 PLC ±.10 4 PLC ±.10 ANGLES ±°		DWN BY: VESTAL 23JUL2007 CHK: W. WELLINSKY APVD: W. WELLINSKY 23JUL2007		Tyco Electronics Harrisburg, PA 17105-3608	
MATERIAL: - FINISH: -		WEIGHT: - CUSTOMER DRAWING		NAME: 24 WAY ARM PLUG ASSEMBLY WITH SHORTING BARS CUSTOMER SPEC. SIZE: A CAGE CODE: 00779 DRAWING NO: C=1924670 RESTRICTED TO: -		SCALE: 3:1 SHEET: 2 OF 3 REV: D	

Mouser Electronics

Authorized Distributor

Click to View Pricing, Inventory, Delivery & Lifecycle Information:

[TE Connectivity:](#)

[3-1924670-2](#)