

## Electronic housing - UM108-SEFE/R-A73 - 2959719


Please be informed that the data shown in this PDF Document is generated from our Online Catalog. Please find the complete data in the user's documentation. Our General Terms of Use for Downloads are valid (<http://phoenixcontact.com/download>)



Side element, with foot, tall version, right-hand, for 73 mm wide U-shaped cover.



### Key Commercial Data

Packing unit	10 pc
Minimum order quantity	10 pc
GTIN	 4 017918 086350
GTIN	4017918086350

### Technical data

#### General

Housing type	Panel mounting base
Housing material	PA
Color (RAL)	green

#### Dimensions

Depth	125 mm
-------	--------

#### Standards and Regulations

Flammability rating according to UL 94	V0
--	----

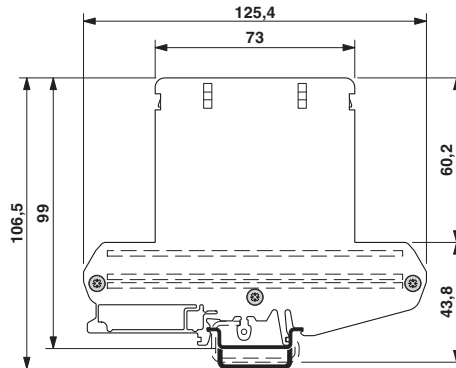
#### Environmental Product Compliance

China RoHS	Environmentally friendly use period: unlimited = EFUP-e
	No hazardous substances above threshold values

### Drawings

# Electronic housing - UM108-SEFE/R-A73 - 2959719

Dimensional drawing



## Approvals

### Approvals

---

Approvals

UL Recognized

---

Ex Approvals

---

### Approval details

UL Recognized



<http://database.ul.com/cgi-bin/XYV/template/LISEXT/1FRAME/index.htm>

FILE E 240868

---

Phoenix Contact 2018 © - all rights reserved  
<http://www.phoenixcontact.com>

**PHOENIX CONTACT GmbH & Co. KG**  
Flachsmarktstr. 8  
32825 Blomberg  
Germany  
Tel. +49 5235 300  
Fax +49 5235 3 41200  
<http://www.phoenixcontact.com>

# Mouser Electronics

Authorized Distributor

Click to View Pricing, Inventory, Delivery & Lifecycle Information:

[Phoenix Contact:](#)

[2959719](#)