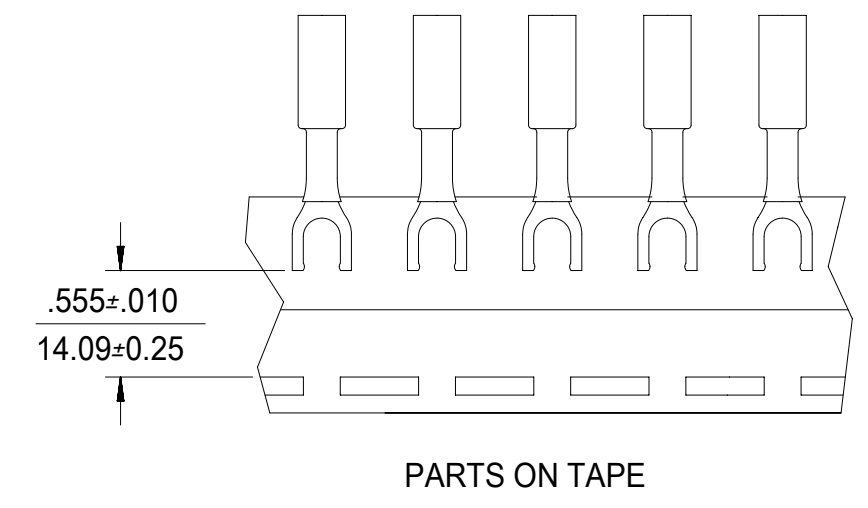
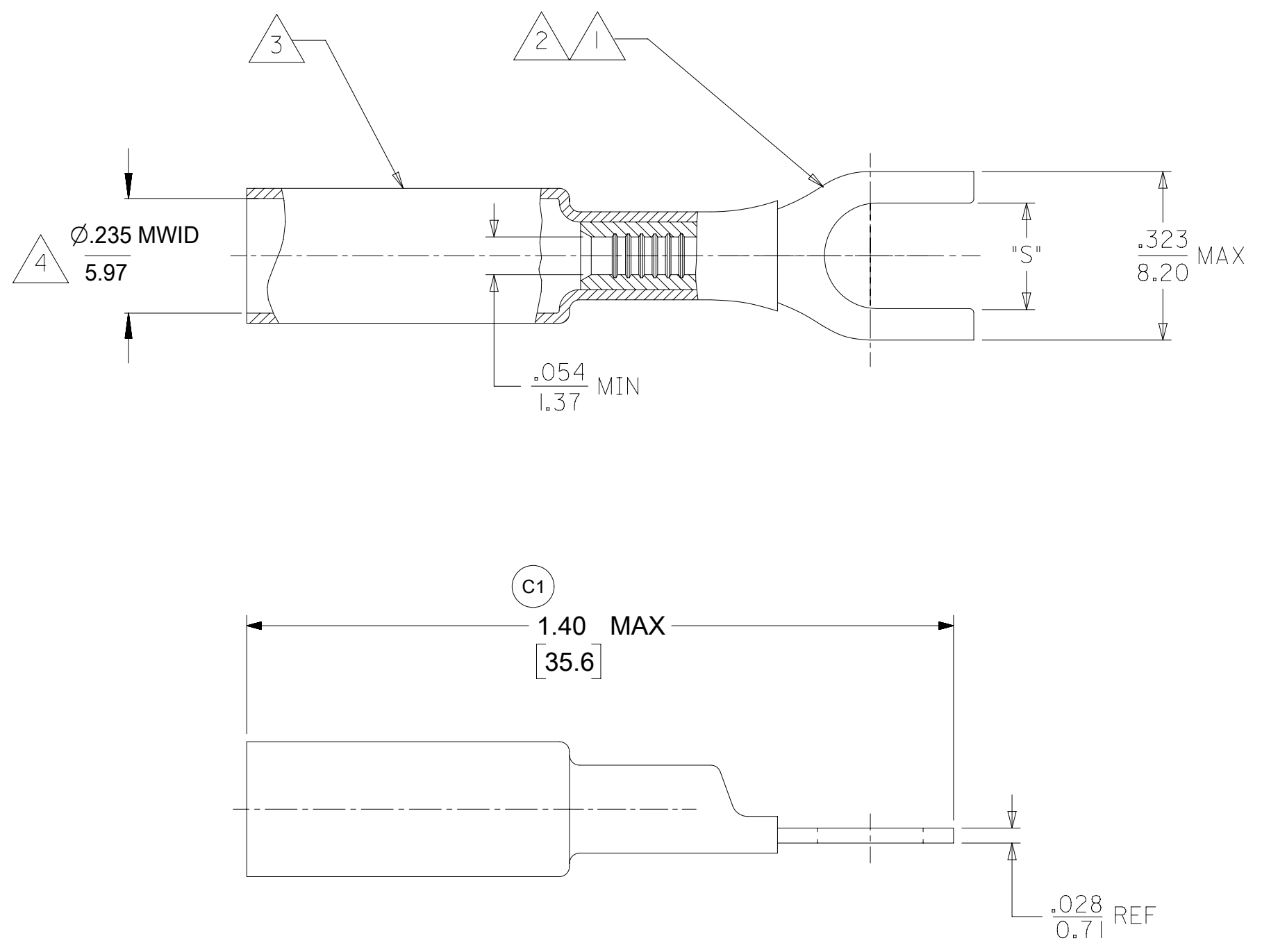


MATERIAL NUMBER	ENGINEERING NUMBER	STUD SIZE	SLOT "S" ±.010 (±0.25)	PACKAGING
191640006	SA-235-06	6	∅ .146/3.71	LOOSE PIECE
191640007	SA-235-08	8	∅ .173/4.39	
191640008	SA-235-10	10	∅ .198/5.03	
191641155	SA-235-06T	6	∅ .146/3.71	TAPE MOUNTED
191641156	SA-235-08T	8	∅ .173/4.39	
191641157	SA-235-10T	10	∅ .198/5.03	



NOTES:

- 1. TERMINAL MATERIAL: COPPER ALLOY
- 2. FINISH: ELECTRO TIN PLATE.
- 3. INSULATION MATERIAL: HEAT SHRINKABLE TUBING WITH HOTMELT ADHESIVE INNER LINER. COLOR: RED.
- 4. MWID = MAXIMUM WIRE INSULATION DIAMETER.
- 5. PARTS ARE ROHS COMPLIANT.

THIS DRAWING CONTAINS INFORMATION THAT IS PROPRIETARY TO MOLEX ELECTRONIC TECHNOLOGIES, LLC AND SHOULD NOT BE USED WITHOUT WRITTEN PERMISSION													
SYMBOLS		DIMENSION UNITS		SCALE		CURRENT REV DESC: DIM 1.40 WAS 1.34							
$\nabla = 0$	4 PLACES	IN/MM	±	NTS	±	molex SPADE TERMINAL NIAC 22-18 AWG PRODUCT CUSTOMER DRAWING DOCUMENT NUMBER: SD-19164-025 DOC TYPE: PSD DOC PART: 001 REVISION: C1 MATERIAL NUMBER: SEE CHART CUSTOMER: GENERAL MARKET SHEET NUMBER: 1 OF 1							
$\nabla = 0$	3 PLACES	GENERAL TOLERANCES (UNLESS SPECIFIED)											
$\nabla = 0$	2 PLACES	MM	±	INCH	±								
$\nabla = 0$	1 PLACE		±		±								
$\nabla = 0$	0 PLACES		±		±								
$\square = 0$	ANGULAR TOL			±	°								
$\nabla = 0$	DRAFT WHERE APPLICABLE MUST REMAIN WITHIN DIMENSIONS	THIRD ANGLE PROJECTION		DRAWING	SERIES								