

Spezifikation für Freigabe / specification for release

Kunde / customer :

Artikelnummer / part number :

7499511440

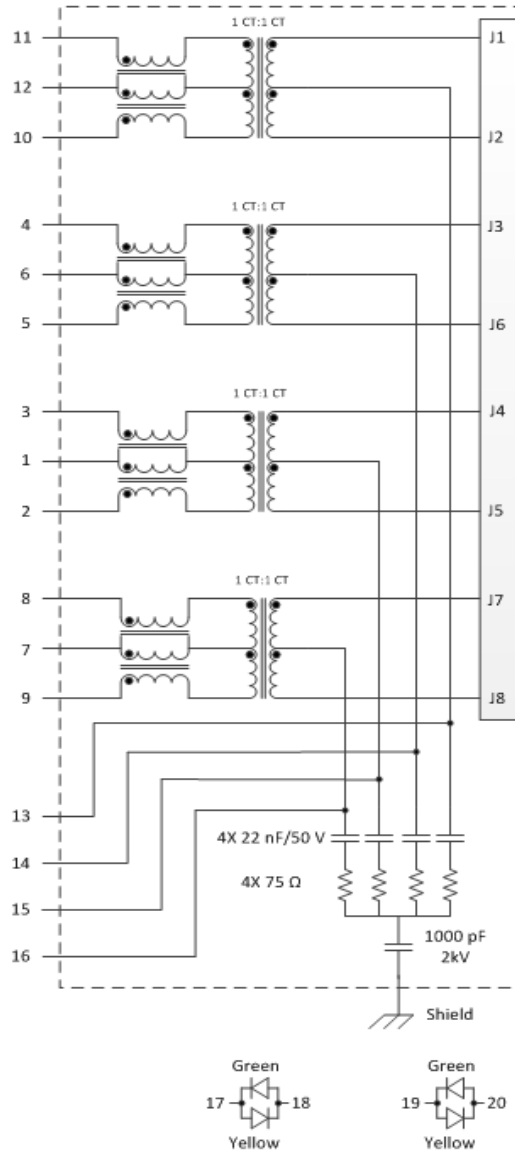


Bezeichnung : LAN-Übertrager WE-RJ45LAN 10/100/1000 BaseT PoE+

description : LAN-Transformer WE-RJ45LAN 10/100/1000 BaseT PoE+

DATUM / DATE : 2016-01-20

H Schaltbild / Schematics :



| | | | | |
|-------------------|--------------------------|------|--------------------------------|--------------|
| | | MLe | Revision 07 | 2016-01-20 |
| | | JaB | Revision 06 | 2015-09-25 |
| | | LuRa | Revision 05 | 2014-06-04 |
| Datum / date | Unterschrift / signature | Mle | Revision 04 | 2014-05-21 |
| | Würth Elektronik | Mle | Revision 03 | 2013-04-10 |
| | | Mle | Revision 02 | 2011-10-20 |
| | | Mle | Revision 01 | 2011-09-13 |
| Geprüft / checked | Kontrolliert / approved | Name | Änderung / modification | Datum / date |

Würth Elektronik eiSos GmbH & Co.KG

D-74638 Waldenburg · Max-Eyth-Straße 1 - 3 · Germany · Telefon (+49) (0) 7942 - 945 - 0 · Telefax (+49) (0) 7942 - 945 - 400
<http://www.we-online.com>

Spezifikation für Freigabe / specification for release

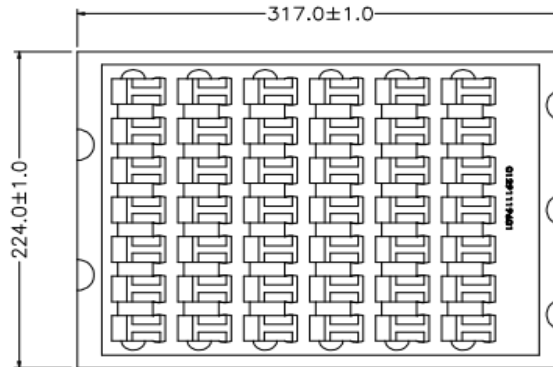
Kunde / customer :
 Artikelnummer / part number : **7499511440**
 Bezeichnung : **LAN-Übertrager WE-RJ45LAN 10/100/1000 BaseT PoE+**
 description : **LAN-Transformer WE-RJ45LAN 10/100/1000 BaseT PoE+**



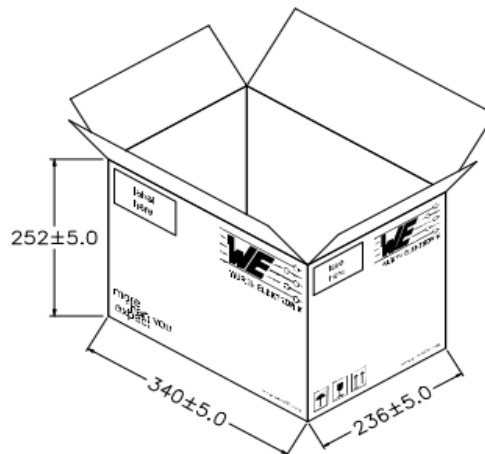
DATUM / DATE : 2016-01-20

I Verpackungsspezifikation / package specification :

Tray



Carton



PACKAGING QUANTITY:

42pcs Finished Goods / Tray

12 Tray (504pcs Finished Goods) / Carton

dimensions in mm

| | | | | |
|-------------------------------------|--------------------------|------|-------------------------|--------------|
| Freigabe erteilt / general release: | Kunde / customer | MLe | Revision 07 | 2016-01-20 |
| | | JaB | Revision 06 | 2015-09-25 |
| | | LuRa | Revision 05 | 2014-06-04 |
| | | LuRa | Revision 05 | 2014-06-04 |
| Datum / date | Unterschrift / signature | Mle | Revision 04 | 2014-05-21 |
| | Würth Elektronik | Mle | Revision 03 | 2013-04-10 |
| | | Mle | Revision 02 | 2011-10-20 |
| | | Mle | Revision 01 | 2011-09-13 |
| Geprüft / checked | Kontrolliert / approved | Name | Änderung / modification | Datum / date |

This electronic component has been designed and developed for usage in general electronic equipment. Before incorporating this component into any equipment where higher safety and reliability is especially required or if there is the possibility of direct damage or injury to human body, for example in the range of aerospace, aviation, nuclear control, submarine, transportation, (automotive control, train control, ship control), transportation signal, disaster prevention, medical, public information network etc, Würth Elektronik eiSos GmbH must be informed before the design-in stage. In addition, sufficient reliability evaluation checks for safety must be performed on every electronic component which is used in electrical circuits that require high safety and reliability functions or performance.

Würth Elektronik eiSos GmbH & Co.KG

D-74638 Waldenburg · Max-Eyth-Straße 1 - 3 · Germany · Telefon (+49) (0) 7942 - 945 - 0 · Telefax (+49) (0) 7942 - 945 - 400
<http://www.we-online.com>

Mouser Electronics

Authorized Distributor

Click to View Pricing, Inventory, Delivery & Lifecycle Information:

[Wurth Electronics:](#)

[7499511440](#)