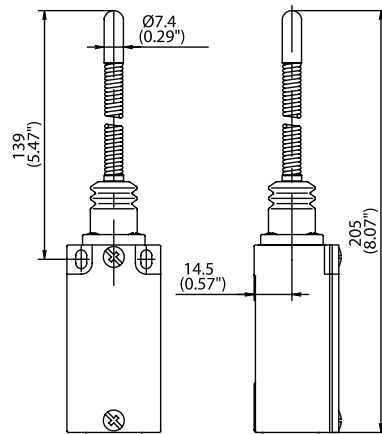


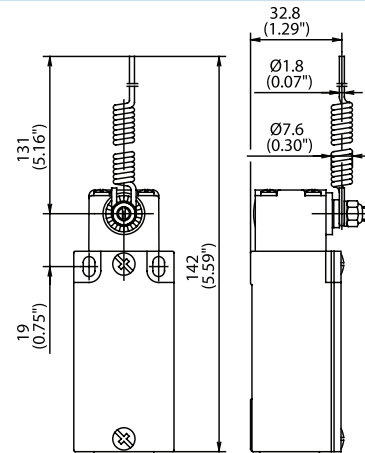
**GC Series**



**FF**



**AF**



Switching Operation	Slow Action	Snap Action	Slow Action	Snap Action
<b>1 NC / 1 NO Contacts</b>	<b>602.1140.476</b> GC-U1 FF 	<b>602.1190.100</b> GC-SU1 FF 	<b>602.1139.106</b> GC-U1 AF 	<b>602.1189.128</b> GC-SU1 AF 
<b>2 NC Contacts</b>	-	-	-	-
<b>2 NO Contacts</b>	-	-	-	-
<b>1 NC / 1 NO Contacts Overlapping</b>	-	-	-	-

**Replacement actuator:** **391.2400.510** **391.2390.725**

Technical Information	Slow Action	Snap Action	Slow Action	Snap Action
Maximum Switching Voltage	240V	240V	240V	240V
Max. Switching Amps (up to)*	10A	10A	10A	10A
B10d (up to)*	20 Million	20 Million	20 Million	20 Million
Mechanical Service Life (up to)*	10 x 10 <sup>6</sup>	10 x 10 <sup>6</sup>	10 x 10 <sup>6</sup>	10 x 10 <sup>6</sup>
Switching Frequency	≤ 100/min	≤ 100/min	≤ 100/min	≤ 100/min
Operating Temperature	-30 °C to +80 °C	-30 °C to +80 °C	-30 °C to +80 °C	-30 °C to +80 °C
Protection Rating	IP65	IP65	IP65	IP65
Utilization Category (up to)*	AC-15, Ue/Ue 240V 3A	AC-15, Ue/Ue 240V 3A	AC-15, Ue/Ue 240V 3A	AC-15, Ue/Ue 240V 3A
Rate Insulation Voltage	400VAC	400VAC	400VAC	400VAC

Approvals

\* Depending on switching system - see technical information for details



**Special features/variants** (on request)

- Different spring lengths
- Different spring versions or spring rod

**Special features/variants** (on request)

- Available with various actuator lengths and actuator directions

*Drawing dimensions in mm*

# Mouser Electronics

Authorized Distributor

Click to View Pricing, Inventory, Delivery & Lifecycle Information:

[Altech:](#)

[602.1139.106](#) [602.1189.128](#) [602.1140.476](#) [602.1190.100](#)