

Clock Buffer/Clock Multiplier With Optional SSC

Check for Samples: [CDCS503-Q1](#)

FEATURES

- Qualified for Automotive Applications
- AEC-Q100 Test Guidance With the Following Results:
 - Device Temperature Grade 2
 - -40°C to 105°C Ambient Operating Temperature Range
 - Device HBM ESD Classification Level H2
 - Device CDM ESD Classification Level C3B
- Part of a Family of Easy to Use Clock Generator Devices With Optional Spread Spectrum Clocking (SSC)
- Clock Multiplier With Selectable Output Frequency and Selectable SSC
- SSC Controllable Through Two External Pins
 - $\pm 0\%$, $\pm 0.5\%$, $\pm 1\%$, $\pm 2\%$ Center Spread
- Frequency Multiplication Selectable Between x1 or x4 With One External Control Pin

- Output Disable Through Control Pin
- Single 3.3 V Device Power Supply
- Wide Temperature Range -40°C to 105°C
- Low Space Consumption 8-Pin TSSOP Package

APPLICATIONS

- Automotive Applications Requiring EMI Reduction Through SSC and/or Clock Multiplication

IN	1	8	VDD
SSC_SEL 0	2	7	OE
SSC_SEL 1	3	6	OUT
GND	4	5	FS

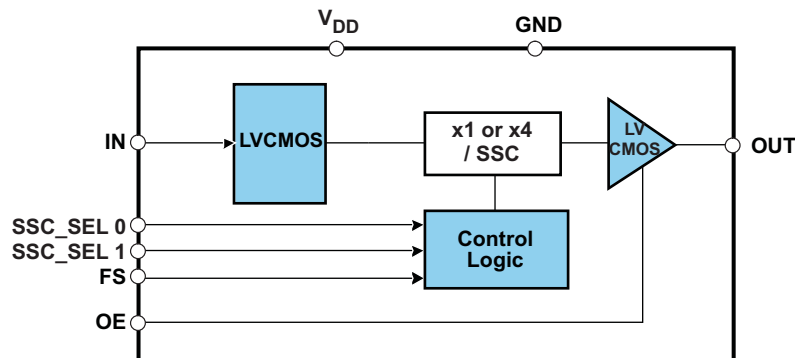


Figure 1. BLOCK DIAGRAM



Please be aware that an important notice concerning availability, standard warranty, and use in critical applications of Texas Instruments semiconductor products and disclaimers thereto appears at the end of this data sheet.

DESCRIPTION

The CDCS503-Q1 device is a spread spectrum capable, LVCMOS input clock buffer with selectable frequency multiplication.

It shares major functionality with the CDCS502 but uses a LVCMOS input stage instead of the crystal input stage of the CDCS502, and the CDCS503-Q1 has an output enable pin.

The device accepts a 3.3-V LVCMOS signal at the input.

The input signal is processed by a phased-locked loop (PLL), whose output frequency is either equal to the input frequency or multiplied by the factor of four.

The PLL is also able to spread the clock signal by $\pm 0\%$, $\pm 0.5\%$, $\pm 1\%$ or $\pm 2\%$ centered around the output clock frequency with a triangular modulation.

By this, the device can generate output frequencies between 8 MHz and 108 MHz with or without SSC.

A separate control pin can be used to enable or disable the output. The CDCS503-Q1 device operates in a 3.3-V environment.

It is characterized for operation from -40°C to 105°C , and available in an 8-pin TSSOP package.

Table 1. FUNCTION TABLE

OE	FS	SSC_SEL 0	SSC_SEL 1	SSC AMOUNT	$f_{\text{OUT}}/f_{\text{IN}}$	f_{OUT} at $f_{\text{in}} = 27 \text{ MHz}$
0	x	x	x	x	x	3-state
1	0	0	0	$\pm 0.00\%$	1	27 MHz
1	0	0	1	$\pm 0.50\%$	1	27 MHz
1	0	1	0	$\pm 1.00\%$	1	27 MHz
1	0	1	1	$\pm 2.00\%$	1	27 MHz
1	1	0	0	$\pm 0.00\%$	4	108 MHz
1	1	0	1	$\pm 0.50\%$	4	108 MHz
1	1	1	0	$\pm 1.00\%$	4	108 MHz
1	1	1	1	$\pm 2.00\%$	4	108 MHz



This integrated circuit can be damaged by ESD. Texas Instruments recommends that all integrated circuits be handled with appropriate precautions. Failure to observe proper handling and installation procedures can cause damage.

ESD damage can range from subtle performance degradation to complete device failure. Precision integrated circuits may be more susceptible to damage because very small parametric changes could cause the device not to meet its published specifications.

DEVICE INFORMATION

PACKAGE

IN	1	CDCS503-Q1	8	VDD
SSC_SEL 0	2		7	OE
SSC_SEL 1	3		6	OUT
GND	4		5	FS

PIN FUNCTIONS

SIGNAL	PIN	TYPE	DESCRIPTION
IN	1	I	LVC MOS clock input
OUT	6	O	LVC MOS clock output
SSC_SEL 0, 1	2, 3	I	Spread selection pins, internal pullup
OE	7	I	Output enable, internal pullup
FS	5	I	Frequency multiplication selection, internal pullup
VDD	8	Power	3.3-V power supply
GND	4	Ground	Ground

ORDERING INFORMATION

T _A	PACKAGE	ORDERABLE PART NUMBER	TOP-SIDE MARKING
–40°C to 105°C	TSSOP 2000	CDCS503TPWRQ1	CS503Q

PACKAGE THERMAL RESISTANCE FOR TSSOP (PW) PACKAGE

over operating free-air temperature range (unless otherwise noted)⁽¹⁾

PW 8-PIN TSSOP		THERMAL AIRFLOW (CFM)				UNIT
		0	150	250	500	
R _{θJA}	High K	149	142	138	132	°C/W
	Low K	230	185	170	150	
R _{θJC}	High K	65				°C/W
	Low K	69				

(1) The package thermal impedance is calculated in accordance with JESD 51 and JEDEC2S2P (high-k board).

THERMAL INFORMATION

THERMAL METRIC ⁽¹⁾		CDCS503TPWRQ1	UNIT
		PW (8 PINS)	
θ _{JA}	Junction-to-ambient thermal resistance	179.9	°C/W
θ _{JCtop}	Junction-to-case (top) thermal resistance	64.9	
θ _{JB}	Junction-to-board thermal resistance	108.7	
ψ _{JT}	Junction-to-top characterization parameter	9	
ψ _{JB}	Junction-to-board characterization parameter	107	
θ _{JCbot}	Junction-to-case (bottom) thermal resistance	n/a	

(1) For more information about traditional and new thermal metrics, see the *IC Package Thermal Metrics* application report, [SPRA953](#).

ABSOLUTE MAXIMUM RATINGS⁽¹⁾

over operating free-air temperature range (unless otherwise noted)

		VALUE	UNIT
V_{DD}	Supply voltage range	–0.5 to 4.6	V
V_{IN}	Input voltage range	–0.5 to 4.6	V
V_{out}	Output voltage range	–0.5 to 4.6	V
I_{IN}	Input current ($V_I < 0$, $V_I > V_{DD}$)	20	mA
I_{out}	Continuous output current	50	mA
T_{ST}	Storage temperature range	–65 to 150	°C
T_J	Maximum junction temperature	125	°C
ESD Rating	Human-body model (HBM) AEC-Q100 classification level H2	1.5	kV
	Charged-device model (CDM) AEC-Q100 classification level C3B	750	V

- (1) Stresses beyond those listed under *absolute maximum ratings* may cause permanent damage to the device. These are stress ratings only and functional operation of the device at these or any other conditions beyond those indicated under *recommended operating conditions* is not implied. Exposure to absolute-maximum-rated conditions for extended periods may affect device reliability.

RECOMMENDED OPERATING CONDITIONS

			MIN	NOM	MAX	UNIT
V _{DD}	Supply voltage		3		3.6	V
f _{IN}	Input frequency	FS = 0	8		32	MHz
		FS = 1	8		27	
V _{IL}	Low-level input voltage LVCMOS				0.3 V _{DD}	V
V _{IH}	High-level input voltage LVCMOS		0.7 V _{DD}			V
V _I	Input voltage threshold LVCMOS			0.5 V _{DD}		V
C _L	Output load test LVCMOS				15	pF
I _{OH} /I _{OL}	Output current				±12	mA
T _A	Operating free-air temperature		-40		105	°C

DEVICE CHARACTERISTICS

over recommended operating free-air temperature range (unless otherwise noted)

PARAMETER		TEST CONDITIONS	MIN	TYP	MAX	UNIT
I _{DD}	Device supply current	f _{out} = 20 MHz; FS = 0, no SSC		19		mA
		f _{out} = 70 MHz; FS = 1, SSC = 2%		22		
f _{OUT}	Output frequency	FS = 0	8		32	MHz
		FS = 1	32		108	
I _{IH}	LVCMOS input current	V _I = V _{DD} ; V _{DD} = 3.6 V			10	µA
I _{IL}	LVCMOS input current	V _I = 0 V; V _{DD} = 3.6 V			-10	µA
V _{OH}	LVCMOS high-level output voltage	I _{OH} = - 0.1 mA	2.9			V
		I _{OH} = - 8 mA	2.4			
		I _{OH} = - 12 mA	2.2			
V _{OL}	LVCMOS low-level output voltage	I _{OL} = 0.1 mA			0.1	V
		I _{OL} = 8 mA			0.5	
		I _{OL} = 12 mA			0.8	
I _{OZ}	High-impedance-state output current	OE = Low	-2		2	µA
t _{JIT(C-C)}	Cycle to cycle jitter ⁽¹⁾	f _{out} = 108 MHz; FS = 1, SSC = 1%, 10000 Cycles		110		ps
t _r /t _f	Rise and fall time ⁽¹⁾	20%–80%		0.75		ns
O _{dc}	Output duty cycle ⁽²⁾		45%		55%	
f _{MOD}	Modulation frequency			30		kHz

 (1) Measured with Test Load, see [Figure 3](#).

(2) Not production tested.

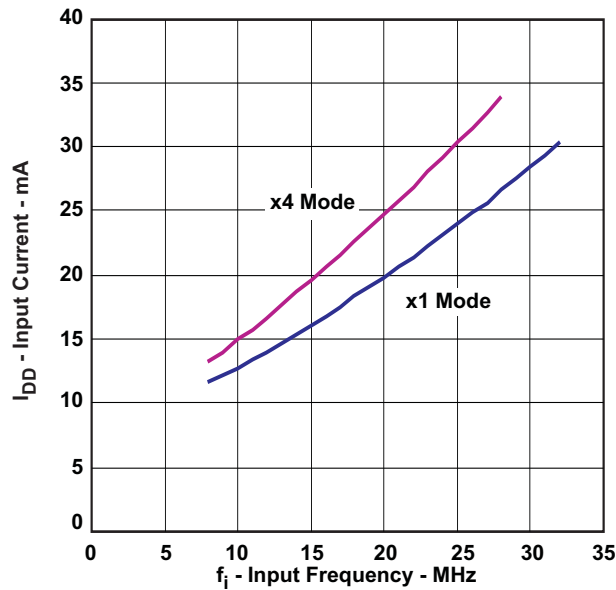


Figure 2. I_{DD} vs Input Frequency, V_{CC} = 3.3 V, SSC = 2%, Output Loaded With Test Load

APPLICATION INFORMATION

SSC MODULATION

The exact implementation of the SSC modulation plays a vital role for the EMI reduction. The CDCS503-Q1 device uses a triangular modulation scheme implemented in a way that the modulation frequency depends on the VCO frequency of the internal PLL and the spread amount is independent from the VCO frequency.

The modulation frequency can be calculated by using one of the below formulas chosen by frequency multiplication mode.

$$FS = 0: f_{mod} = f_{IN} / 708$$

$$FS = 1: f_{mod} = f_{IN} / 620$$

PARAMETER MEASUREMENT INFORMATION

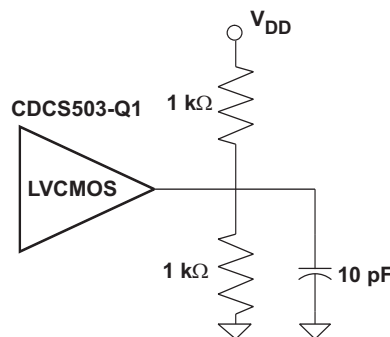


Figure 3. Test Load

PARAMETER MEASUREMENT INFORMATION (continued)

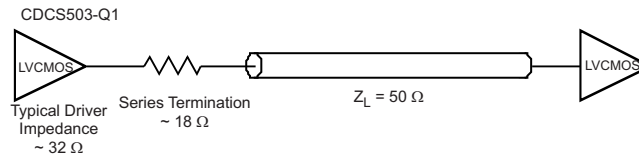


Figure 4. Load for 50-Ω Board Environment

REVISION HISTORY

Changes from Revision A (June 2012) to Revision B	Page
• Changed AEC Q100 Qualified to AEC Q100 Test Guidance in FAD.	1

PACKAGING INFORMATION

Orderable Device	Status (1)	Package Type	Package Drawing	Pins	Package Qty	Eco Plan (2)	Lead/Ball Finish (6)	MSL Peak Temp (3)	Op Temp (°C)	Device Marking (4/5)	Samples
CDCS503TPWRQ1	ACTIVE	TSSOP	PW	8	2000	Green (RoHS & no Sb/Br)	NIPDAU	Level-3-260C-168 HR	-40 to 105	CS503Q	Samples

(1) The marketing status values are defined as follows:

ACTIVE: Product device recommended for new designs.

LIFEBUY: TI has announced that the device will be discontinued, and a lifetime-buy period is in effect.

NRND: Not recommended for new designs. Device is in production to support existing customers, but TI does not recommend using this part in a new design.

PREVIEW: Device has been announced but is not in production. Samples may or may not be available.

OBSOLETE: TI has discontinued the production of the device.

(2) **RoHS:** TI defines "RoHS" to mean semiconductor products that are compliant with the current EU RoHS requirements for all 10 RoHS substances, including the requirement that RoHS substance do not exceed 0.1% by weight in homogeneous materials. Where designed to be soldered at high temperatures, "RoHS" products are suitable for use in specified lead-free processes. TI may reference these types of products as "Pb-Free".

RoHS Exempt: TI defines "RoHS Exempt" to mean products that contain lead but are compliant with EU RoHS pursuant to a specific EU RoHS exemption.

Green: TI defines "Green" to mean the content of Chlorine (Cl) and Bromine (Br) based flame retardants meet JS709B low halogen requirements of <=1000ppm threshold. Antimony trioxide based flame retardants must also meet the <=1000ppm threshold requirement.

(3) MSL, Peak Temp. - The Moisture Sensitivity Level rating according to the JEDEC industry standard classifications, and peak solder temperature.

(4) There may be additional marking, which relates to the logo, the lot trace code information, or the environmental category on the device.

(5) Multiple Device Markings will be inside parentheses. Only one Device Marking contained in parentheses and separated by a "~" will appear on a device. If a line is indented then it is a continuation of the previous line and the two combined represent the entire Device Marking for that device.

(6) Lead/Ball Finish - Orderable Devices may have multiple material finish options. Finish options are separated by a vertical ruled line. Lead/Ball Finish values may wrap to two lines if the finish value exceeds the maximum column width.

Important Information and Disclaimer:The information provided on this page represents TI's knowledge and belief as of the date that it is provided. TI bases its knowledge and belief on information provided by third parties, and makes no representation or warranty as to the accuracy of such information. Efforts are underway to better integrate information from third parties. TI has taken and continues to take reasonable steps to provide representative and accurate information but may not have conducted destructive testing or chemical analysis on incoming materials and chemicals. TI and TI suppliers consider certain information to be proprietary, and thus CAS numbers and other limited information may not be available for release.

In no event shall TI's liability arising out of such information exceed the total purchase price of the TI part(s) at issue in this document sold by TI to Customer on an annual basis.

OTHER QUALIFIED VERSIONS OF CDCS503-Q1 :

- Catalog: [CDCS503](#)

NOTE: Qualified Version Definitions:

- Catalog - TI's standard catalog product

TAPE AND REEL INFORMATION



QUADRANT ASSIGNMENTS FOR PIN 1 ORIENTATION IN TAPE



*All dimensions are nominal

Device	Package Type	Package Drawing	Pins	SPQ	Reel Diameter (mm)	Reel Width W1 (mm)	A0 (mm)	B0 (mm)	K0 (mm)	P1 (mm)	W (mm)	Pin1 Quadrant
CDCS503TPWRQ1	TSSOP	PW	8	2000	330.0	12.4	7.0	3.6	1.6	8.0	12.0	Q1

TAPE AND REEL BOX DIMENSIONS



*All dimensions are nominal

Device	Package Type	Package Drawing	Pins	SPQ	Length (mm)	Width (mm)	Height (mm)
CDCS503TPWRQ1	TSSOP	PW	8	2000	367.0	367.0	35.0

PW0008A



PACKAGE OUTLINE

TSSOP - 1.2 mm max height

SMALL OUTLINE PACKAGE



4221848/A 02/2015

NOTES:

- All linear dimensions are in millimeters. Any dimensions in parenthesis are for reference only. Dimensioning and tolerancing per ASME Y14.5M.
- This drawing is subject to change without notice.
- This dimension does not include mold flash, protrusions, or gate burrs. Mold flash, protrusions, or gate burrs shall not exceed 0.15 mm per side.
- This dimension does not include interlead flash. Interlead flash shall not exceed 0.25 mm per side.
- Reference JEDEC registration MO-153, variation AA.

EXAMPLE BOARD LAYOUT

PW0008A

TSSOP - 1.2 mm max height

SMALL OUTLINE PACKAGE



LAND PATTERN EXAMPLE
SCALE:10X



SOLDER MASK DETAILS
NOT TO SCALE

4221848/A 02/2015

NOTES: (continued)

- 6. Publication IPC-7351 may have alternate designs.
- 7. Solder mask tolerances between and around signal pads can vary based on board fabrication site.

EXAMPLE STENCIL DESIGN

PW0008A

TSSOP - 1.2 mm max height

SMALL OUTLINE PACKAGE



SOLDER PASTE EXAMPLE
BASED ON 0.125 mm THICK STENCIL
SCALE:10X

4221848/A 02/2015

NOTES: (continued)

8. Laser cutting apertures with trapezoidal walls and rounded corners may offer better paste release. IPC-7525 may have alternate design recommendations.
9. Board assembly site may have different recommendations for stencil design.

IMPORTANT NOTICE AND DISCLAIMER

TI PROVIDES TECHNICAL AND RELIABILITY DATA (INCLUDING DATASHEETS), DESIGN RESOURCES (INCLUDING REFERENCE DESIGNS), APPLICATION OR OTHER DESIGN ADVICE, WEB TOOLS, SAFETY INFORMATION, AND OTHER RESOURCES "AS IS" AND WITH ALL FAULTS, AND DISCLAIMS ALL WARRANTIES, EXPRESS AND IMPLIED, INCLUDING WITHOUT LIMITATION ANY IMPLIED WARRANTIES OF MERCHANTABILITY, FITNESS FOR A PARTICULAR PURPOSE OR NON-INFRINGEMENT OF THIRD PARTY INTELLECTUAL PROPERTY RIGHTS.

These resources are intended for skilled developers designing with TI products. You are solely responsible for (1) selecting the appropriate TI products for your application, (2) designing, validating and testing your application, and (3) ensuring your application meets applicable standards, and any other safety, security, or other requirements. These resources are subject to change without notice. TI grants you permission to use these resources only for development of an application that uses the TI products described in the resource. Other reproduction and display of these resources is prohibited. No license is granted to any other TI intellectual property right or to any third party intellectual property right. TI disclaims responsibility for, and you will fully indemnify TI and its representatives against, any claims, damages, costs, losses, and liabilities arising out of your use of these resources.

TI's products are provided subject to TI's Terms of Sale (www.ti.com/legal/termsofsale.html) or other applicable terms available either on ti.com or provided in conjunction with such TI products. TI's provision of these resources does not expand or otherwise alter TI's applicable warranties or warranty disclaimers for TI products.

Mailing Address: Texas Instruments, Post Office Box 655303, Dallas, Texas 75265
Copyright © 2020, Texas Instruments Incorporated