

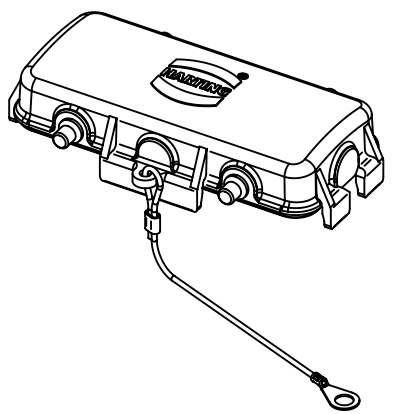
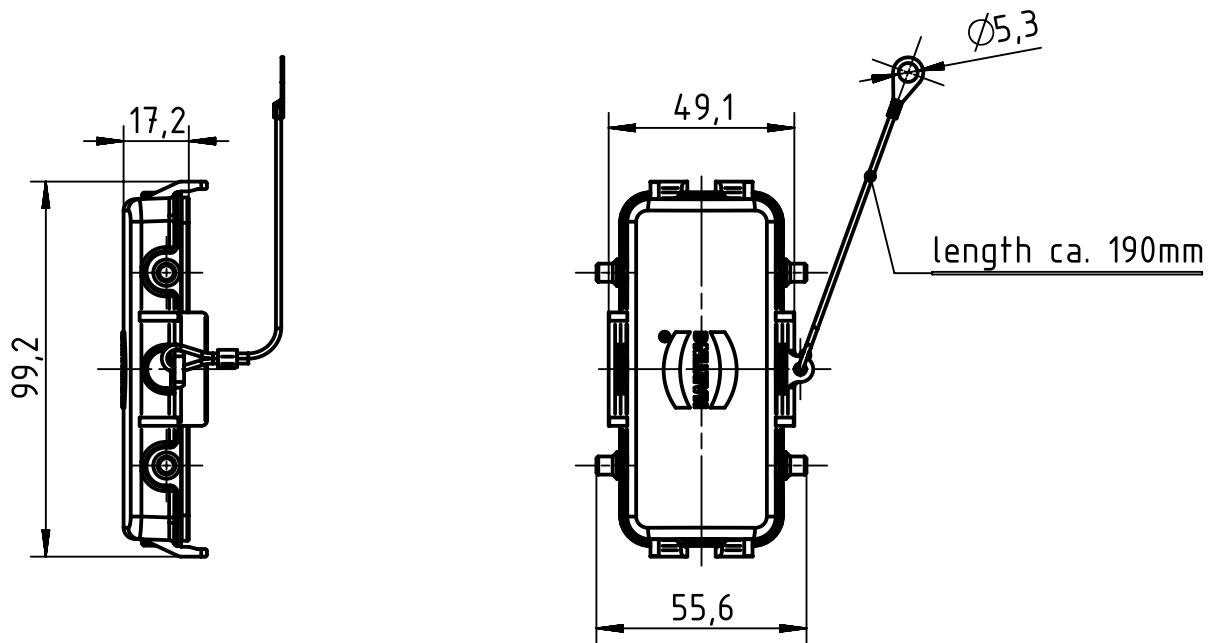
1 2 3 4 5 6

A

B

C

D



	All Dimensions in mm Original Size DIN A4		Scale 1:2	Free size tol.		Ref.	
	All rights reserved Department EL PD - DE		Created by SPRENB	Inspected by BERGHORN	Standardisation TIEMANNA	Sub.	
HARTING Electric GmbH & Co. KG D-32339 Espelkamp		Title <b>Han B Protect Cover Die Cast for Base</b>				Date 2013-08-30	State Final Release
		Type TB	Number 09 30 016 5425			Doc-Key / ECM-Nr. 100172893/UGD/012/A 500000064823	Rev. A
						Page 1/1	

# Mouser Electronics

Authorized Distributor

Click to View Pricing, Inventory, Delivery & Lifecycle Information:

[HARTING:](#)

[09300165425](#)