

THIS DRAWING IS UNPUBLISHED.

RELEASED FOR PUBLICATION MAR , 2004.

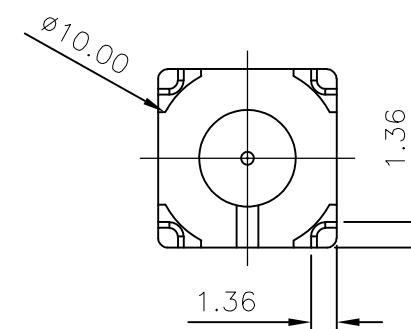
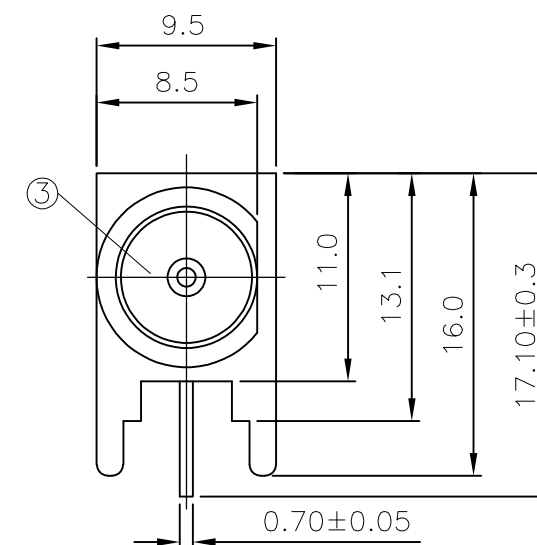
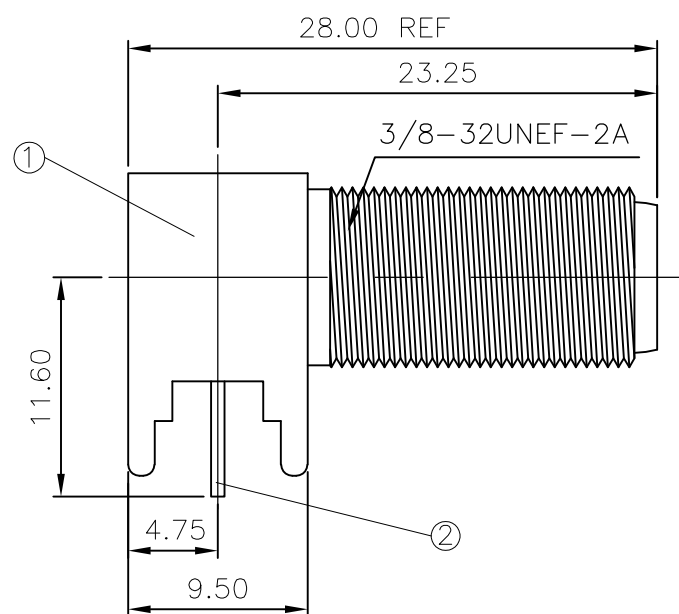
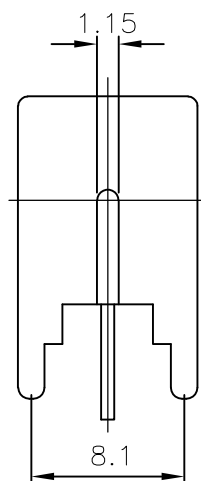
© COPYRIGHT 2004 By -

ALL RIGHTS RESERVED.

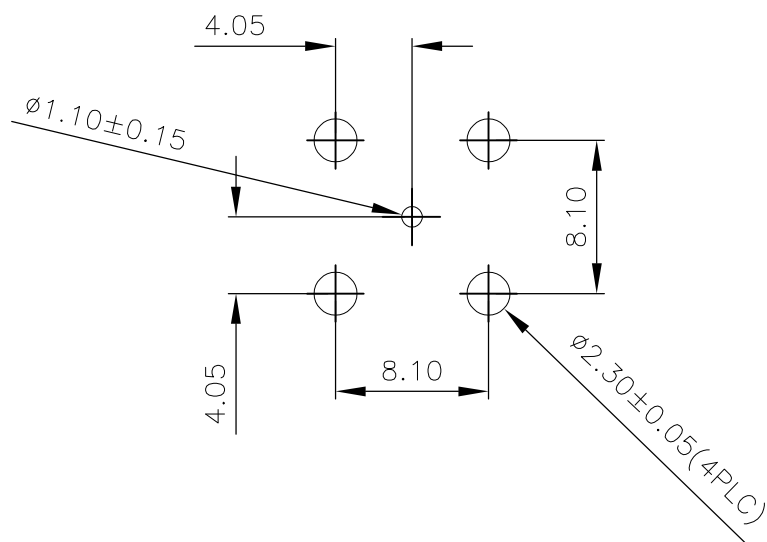
LOC	DIST	REVISIONS					
E	B	P	LTR	DESCRIPTION	DATE	DWN	APVD
		C		ECO-11-003575	15APR2011	RZ	MY

NOTES

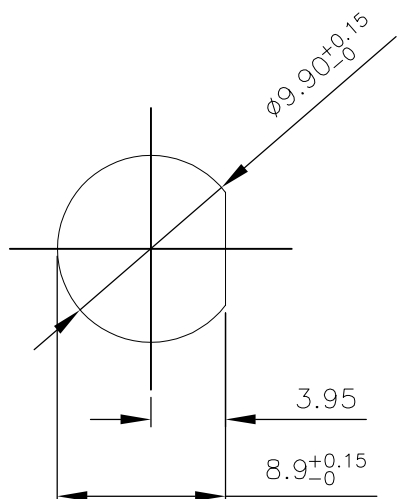
- ① PACKAGING: 50 PCS/TRAY, 20 TRAYS/CTN
- ② PACKAGING: SINGLE PACK, 1PC/BAG, 100 BAGS/BOX, 10 BOXES/CTN
- ③ TIN PLATING
- ④ Ni PLATING
- ⑤ PACKAGING: 100 PCS/BAG, 1BAG/BOX, 10 BOXES/CTN



RECOMMENDED PCB LAYOUT WITH MOUNTING POSTS



RECOMMENDED MOUNTING HOLE



					1	1	1	TPX	INSULATOR	3
					1	1	1	PHOS BRONZE	③ CONTACT	2
					1	1	1	ZINC ALLOY	④ BODY	1
					5--2	5--1	5--0	MATERIAL	DESCRIPTION	ITEM
					⑤	②	①			
QUANTITY PER ASSY								PARTS LIST		

THIS DRAWING IS A CONTROLLED DOCUMENT.		DWN ANSON MA 14FEB09	STE TE Connectivity		
		CHK RITA ZUO 14FEB09			
		APVD BOB ZHAO 14FEB09	NAME F SERIES CONNECTOR ELBOW JACK PCB		
DIMENSIONS: mm		PRODUCT SPEC 108-112000			
TOLERANCES UNLESS OTHERWISE SPECIFIED:		APPLICATION SPEC			
0 PLC ± 0.5		SIZE	CAGE CODE	DRAWING NO	RESTRICTED TO
1 PLC ± 0.3		A3 00779		C-1634540	
2 PLC ± 0.2		CUSTOMER DRAWING		SCALE NTS	SHEET 1 OF 1
3 PLC ± -				REV C	
4 PLC ± -					
ANGLES ± -					
FINISH -					

Mouser Electronics

Authorized Distributor

Click to View Pricing, Inventory, Delivery & Lifecycle Information:

[TE Connectivity:](#)

[5-1634540-1](#)