

## HMIC™ PIN Diode SPDT 80 Watt Switch for 0.01 - 6.0 GHz Higher Power Applications

Rev. V2

### Features

- Exceptional Broadband Performance
- Low Loss:  $T_x = 0.25 \text{ dB @ 2010 MHz}$
- High Isolation:  $R_x = 43 \text{ dB @ 2010 MHz}$
- Suitable for High Power LTE, TD-SCDMA, WiMAX, and Military Radio Applications
- Surface Mount 4 mm PQFN Package
- RoHS\* Compliant
- Class 2 ESD Rating (HBM 2kv)

### Description

The MASW-000932 is a SPDT high power, broadband, high linearity, PIN diode T/R switch for 0.01 - 4.0 GHz applications, including WiMAX & WiFi. The device is provided in an industry standard lead free 4mm PQFN plastic package. This device incorporates a PIN diode die fabricated with MACOM Technology Solutions' patented Silicon-Glass HMIC™ process. This chip features two silicon pedestals embedded in a low loss, low dispersion glass. The diodes are formed on the top of each pedestal. The topside is fully encapsulated with silicon nitride and has an additional polymer passivation layer. These polymer protective coatings prevent damage and contamination during handling and assembly.

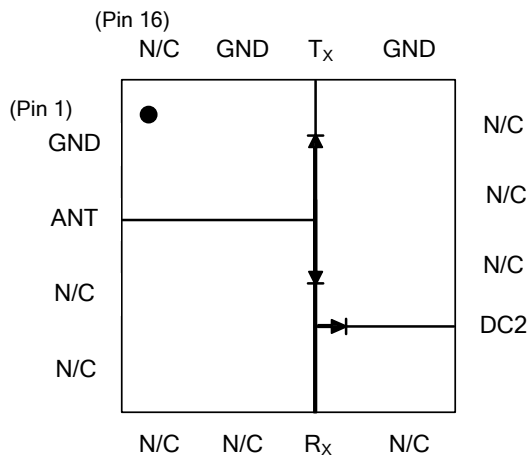
This compact SPDT switch offers wideband performance with excellent isolation to loss ratio for both  $T_x$  and  $R_x$  states. The PIN diode provides 45 W typical CW power handling at an 85°C baseplate temperature and 72 dBm IIP3 at 2010 MHz for maximum switch performance.

### Ordering Information<sup>1</sup>

Part Number	Package
MASW-000932-13560T	1000 piece reel
MASW-000932-001SMB	Sample Board

1. Reference Application Note M513 for reel size information.

### Functional Diagram (Top View)



### Pin Configuration<sup>2</sup>

Pin	Function	Pin	Function
1	GND	9	DC2
2	ANT	10	N/C
3	N/C	11	N/C
4	N/C	12	N/C
5	N/C	13	GND
6	N/C	14	TX
7	RX	15	GND
8	N/C	16	N/C

2. The exposed pad centered on the package bottom must be connected to RF, DC and thermal ground.

\* Restrictions on Hazardous Substances, European Union Directive 2011/65/EU.

## HMIC™ PIN Diode SPDT 80 Watt Switch for 0.01 - 6.0 GHz Higher Power Applications

Rev. V2

**Electrical Specifications<sup>3</sup>: Freq. = 2.0, 2.7, 3.5 GHz, T<sub>A</sub> = 25°C, Bias = 100 mA / 28 V**

Parameter	100 mA / 28V Conditions	Units	Min.	Typ.	Max.
Insertion Loss <sup>3</sup> , R <sub>X</sub> P <sub>IN</sub> = 0 dBm	R <sub>X</sub> , 2.0 GHz	dB	—	0.60	0.80
	T <sub>X</sub> , 2.0 GHz			0.25	—
	R <sub>X</sub> , 2.7 GHz			0.72	0.90
	T <sub>X</sub> , 2.7 GHz			0.35	—
	R <sub>X</sub> , 3.5 GHz			0.80	0.95
	T <sub>X</sub> , 3.5 GHz			0.45	—
Isolation <sup>3</sup> P <sub>IN</sub> = 0 dBm	R <sub>X</sub> to Antenna, 2.0 GHz	dB	40.0	43.0	—
	T <sub>X</sub> to Antenna, 2.0 GHz		—	14.0	
	R <sub>X</sub> to Antenna, 2.7 GHz		39.0	41.5	
	T <sub>X</sub> to Antenna, 2.7 GHz		—	12.0	
	R <sub>X</sub> to Antenna, 3.5 GHz		34.0	35.0	
	T <sub>X</sub> to Antenna, 3.5 GHz		—	10.0	
Input Return Loss <sup>3</sup>	P <sub>IN</sub> = 0 dBm	dB	—	34	—
	R <sub>X</sub>			17	
	T <sub>X</sub>			—	
T <sub>X</sub> Input P0.1dB	T <sub>X</sub> to Antenna	dBm	—	49	—
T <sub>X</sub> 2 <sup>nd</sup> Harmonic	P <sub>IN</sub> = + 30 dBm	dBc	—	80	—
T <sub>X</sub> 3 <sup>rd</sup> Harmonic	P <sub>IN</sub> = + 30 dBm	dBc	—	95	—
T <sub>X</sub> IIP3	P <sub>IN</sub> = +10 dBm, F1 = 2010 MHz, F2 = 2020 MHz	dBm	—	72	—
T <sub>X</sub> CW Input Power	25°C Base plate, 2.01 GHz	dBm / W	—	49 / 80	—
T <sub>X</sub> CW Input Power	85°C Base plate, 2.01 GHz	dBm / W	—	46.5 / 45.0	—
R <sub>X</sub> CW Input Power	—	dBm / W	—	41.5 / 14.0	—
T <sub>X</sub> RF Switching Speed	(10-90% RF Voltage) 1 MHz Rep Rate in Modulating Mode	ns	—	200	—

3. See Bias Table

### Absolute Maximum Ratings<sup>4,5</sup> @ T<sub>A</sub> = +25°C (unless otherwise specified)

Parameter	Absolute Maximum
Forward Current	125 mA
RF & DC Reverse Voltage	-200 V
Operating Temperature	-40°C to +85°C
Storage Temperature	-55°C to +150°C
Junction Temperature	+175°C
T <sub>X</sub> Incident CW Power	80 W (49 dBm) <sup>6</sup> @ 2010 MHz
T <sub>X</sub> Peak Incident Power	>2000 W, 5 μs, 1% duty <sup>7</sup>

4. Exceeding these limits may cause permanent damage.

5. MACOM does not recommend sustained operation near these survivability limits.

6. Baseplate temperature must be controlled to a constant +25°C.

7. This rating is guaranteed if the RF ports are terminated.

2

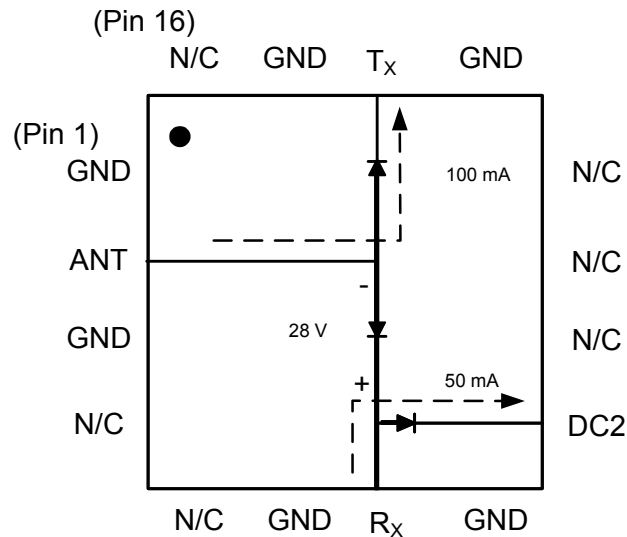
MACOM Technology Solutions Inc. (MACOM) and its affiliates reserve the right to make changes to the product(s) or information contained herein without notice. Visit [www.macom.com](http://www.macom.com) for additional data sheets and product information.

For further information and support please visit:  
<https://www.macom.com/support>

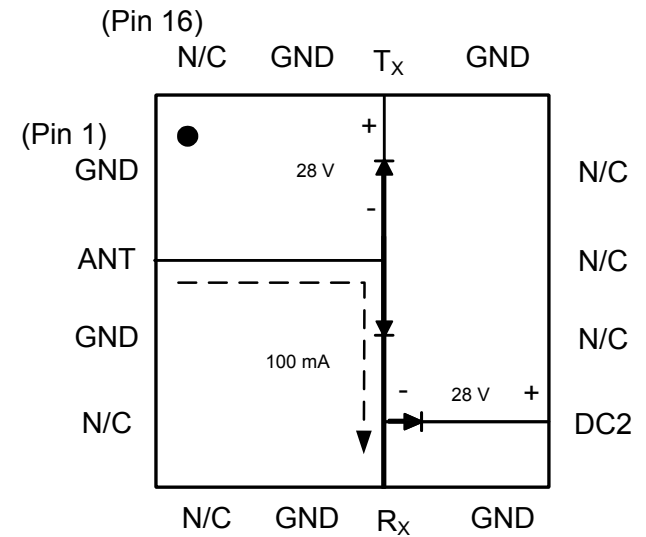
DC-0008129

## Bias Diagrams & Tables

### T<sub>X</sub>-ANT Insertion Loss, R<sub>X</sub>-ANT Isolation



### R<sub>X</sub>-ANT Insertion Loss, T<sub>X</sub>-ANT Isolation

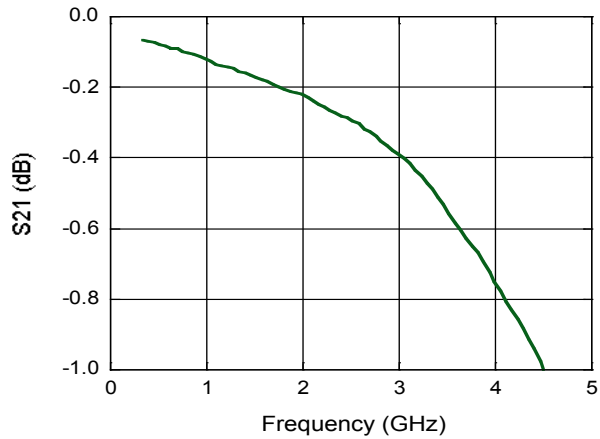


## Bias Table

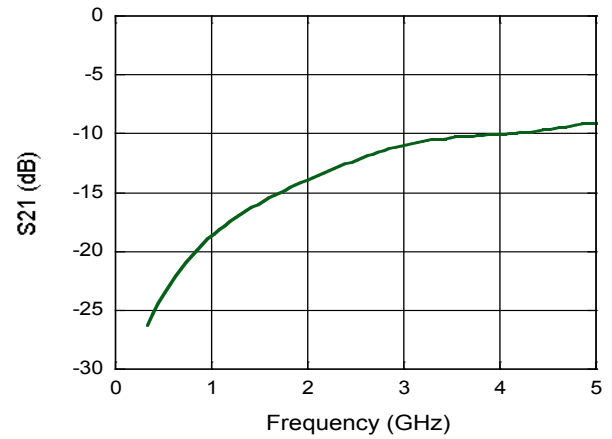
Bias Table	T <sub>x</sub>	R <sub>x</sub>	DC2	ANT
Pin	Pin 14	Pin 7	Pin 9	Pin 2
T <sub>X</sub> -ANT Isolation	+28 V, 0 mA	-100 mA	+28 V, 0 mA	0 V, +100 mA
T <sub>X</sub> -ANT Insertion Loss	-100 mA	+28 V, +50 mA	-50 mA	0 V, +100 mA
R <sub>X</sub> -ANT Isolation	-100 mA	+28 V, +50 mA	-50 mA	0 V, +100 mA
R <sub>X</sub> -ANT Insertion Loss	+28 V, 0 mA	-100 mA	+28 V, 0 mA	0 V, +100 mA

## Typical Performance Curves, $T_x$ (100 mA Bias Current)

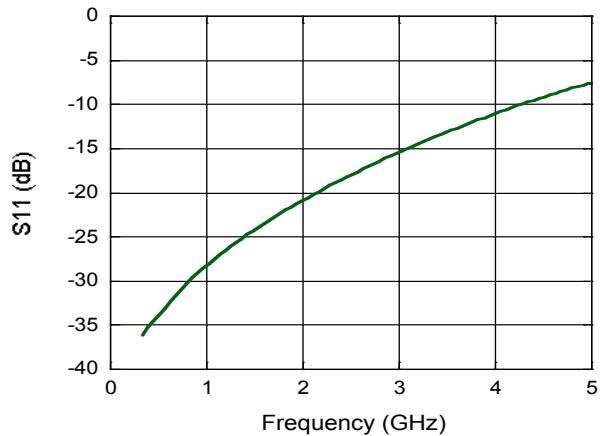
**Insertion Loss,  $T_x$**



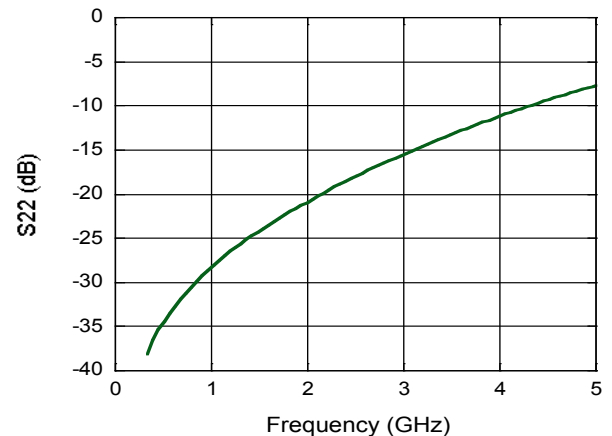
**Isolation,  $T_x$**



**Input Return Loss,  $T_x$**

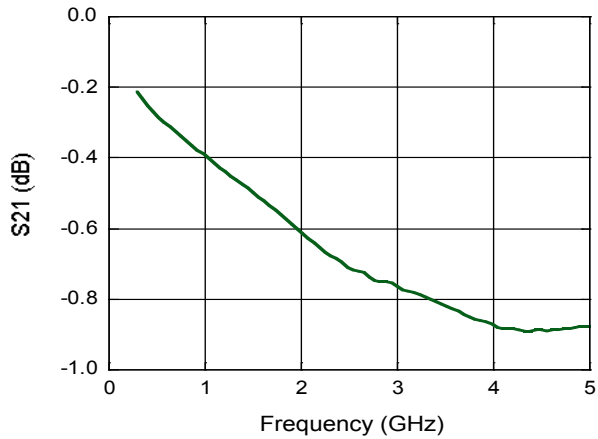


**Output Return Loss,  $T_x$**

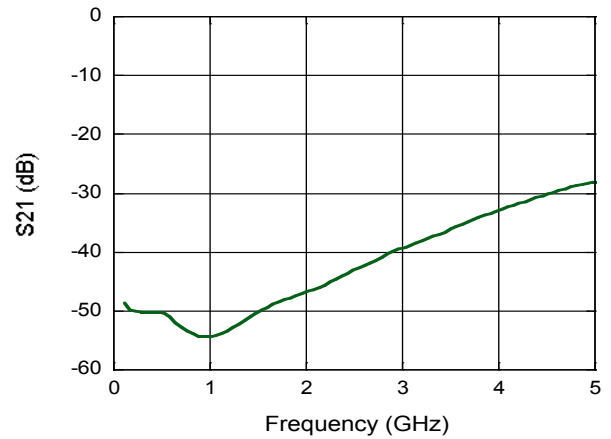


## Typical Performance Curves, $R_x$ (100 mA Bias Current)

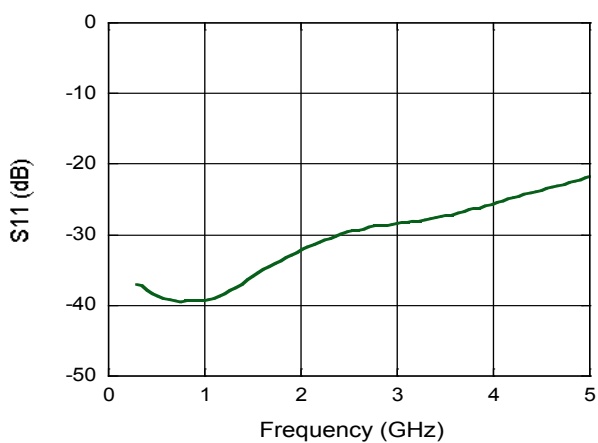
**Insertion Loss,  $R_x$**



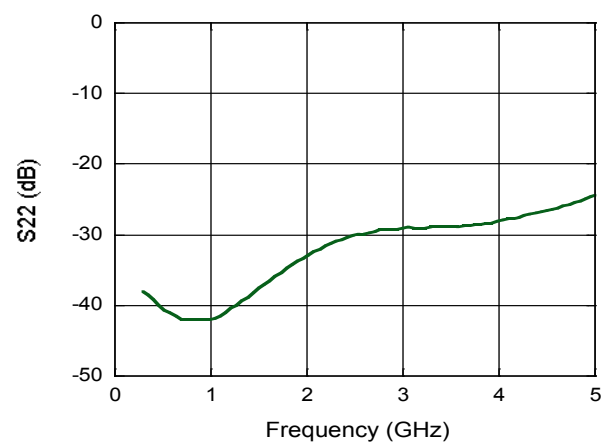
**Isolation,  $R_x$**



**Input Return Loss,  $R_x$**



**Output Return Loss,  $R_x$**

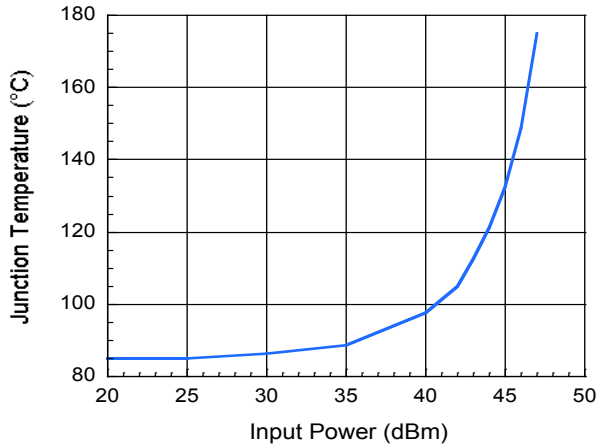


## HMIC™ PIN Diode SPDT 80 Watt Switch for 0.01 - 6.0 GHz Higher Power Applications

Rev. V2

### Typical Performance Curves<sup>8</sup>: +85°C base plate temperature, 2000 MHz

#### Power



#### Handling Procedures

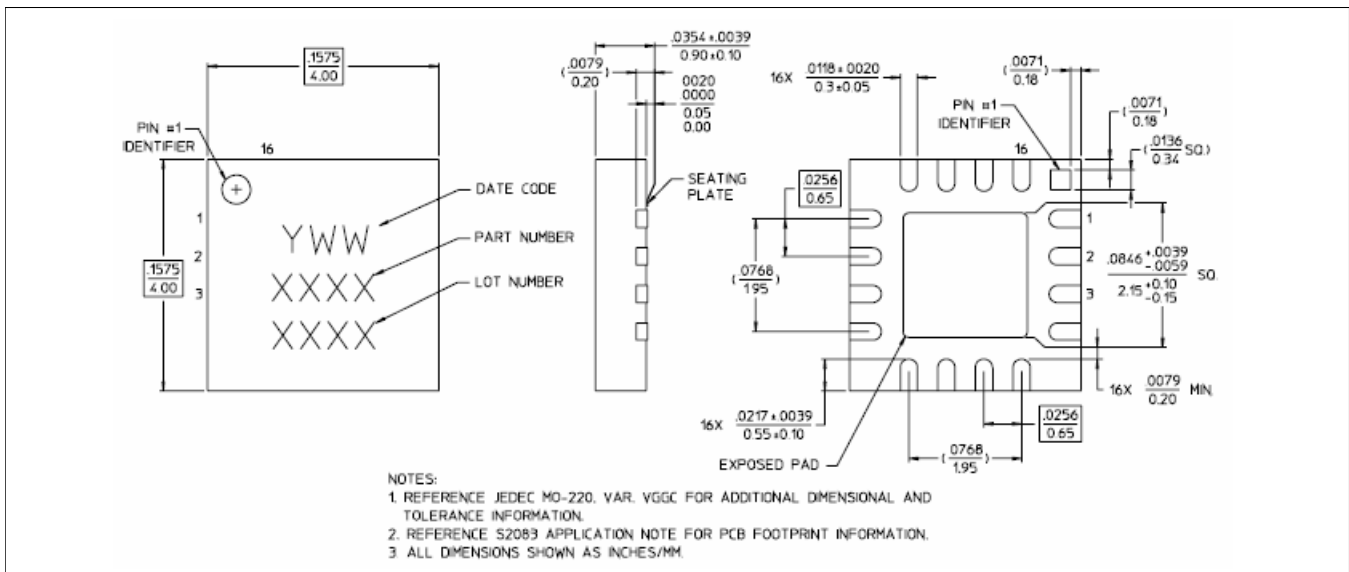
Please observe the following precautions to avoid damage:

#### Static Sensitivity

Silicon Integrated Circuits are sensitive to electrostatic discharge (ESD) and can be damaged by static electricity. Proper ESD control techniques should be used when handling these Class 2 devices.

8. Maximum Junction Temperature for this device is 175°C.

### Lead Free 4 mm 16-Lead PQFN †



† Reference Application Note S2083 for lead-free solder reflow recommendations.  
 Meets JEDEC moisture sensitivity level 1 requirements.  
 Plating is 100% matte tin over copper.

MACOM Technology Solutions Inc. All rights reserved.

Information in this document is provided in connection with MACOM Technology Solutions Inc ("MACOM") products. These materials are provided by MACOM as a service to its customers and may be used for informational purposes only. Except as provided in MACOM's Terms and Conditions of Sale for such products or in any separate agreement related to this document, MACOM assumes no liability whatsoever. MACOM assumes no responsibility for errors or omissions in these materials. MACOM may make changes to specifications and product descriptions at any time, without notice. MACOM makes no commitment to update the information and shall have no responsibility whatsoever for conflicts or incompatibilities arising from future changes to its specifications and product descriptions. No license, express or implied, by estoppel or otherwise, to any intellectual property rights is granted by this document.

THESE MATERIALS ARE PROVIDED "AS IS" WITHOUT WARRANTY OF ANY KIND, EITHER EXPRESS OR IMPLIED, RELATING TO SALE AND/OR USE OF MACOM PRODUCTS INCLUDING LIABILITY OR WARRANTIES RELATING TO FITNESS FOR A PARTICULAR PURPOSE, CONSEQUENTIAL OR INCIDENTAL DAMAGES, MERCHANTABILITY, OR INFRINGEMENT OF ANY PATENT, COPYRIGHT OR OTHER INTELLECTUAL PROPERTY RIGHT. MACOM FURTHER DOES NOT WARRANT THE ACCURACY OR COMPLETENESS OF THE INFORMATION, TEXT, GRAPHICS OR OTHER ITEMS CONTAINED WITHIN THESE MATERIALS. MACOM SHALL NOT BE LIABLE FOR ANY SPECIAL, INDIRECT, INCIDENTAL, OR CONSEQUENTIAL DAMAGES, INCLUDING WITHOUT LIMITATION, LOST REVENUES OR LOST PROFITS, WHICH MAY RESULT FROM THE USE OF THESE MATERIALS.

MACOM products are not intended for use in medical, lifesaving or life sustaining applications. MACOM customers using or selling MACOM products for use in such applications do so at their own risk and agree to fully indemnify MACOM for any damages resulting from such improper use or sale.