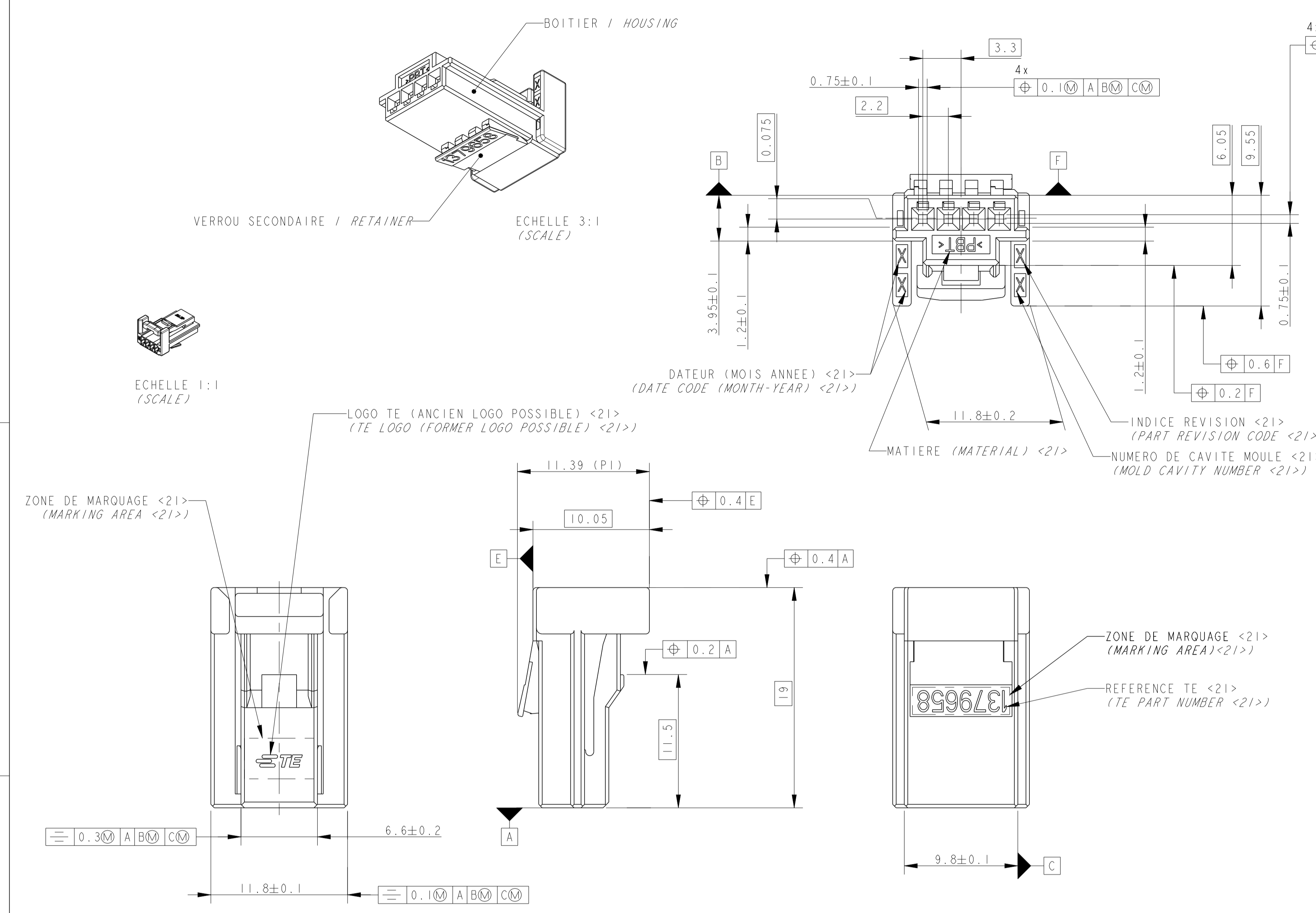


LOC	DIST	REVISIONS					
F	00	P	LTN	DESCRIPTION	DATE	DWN	APVD
		REV	REV	MODIFICATIONS		SESS.	APP.
		E		ADD PN 1-1379658-1	23OCT2013	DB	JPP
		F		ADD PN 1379658-3 AND 1379658-4	15APR2015	DB	XR
		G		REMOVED INACTIVE STATUS TO -3 AND -4	01JUN2015	DB	XR
		H		ADD NOTES 20 AND 21	05AUG2016	DB	XR



NOTES : LES NOTES LOCALES SONT ENTRE <-> LOCAL NOTES ARE BETWEEN <->

SPECIFICATIONS DE REFERENCE : APPLICABLE SPECIFICATION :

SPECIFICATION TE : 108-15299 TE SPECIFICATION (SEE BEFORE)

PLAN D'INTERFACE TE : 1379774 TE INTERFACE DRAWING (SEE BEFORE)

NOTES COMPLEMENTAIRES : ADDITIONAL NOTES :

CAHIER DE PRECONISATION : 411-15672 INSTRUCTION SHEET : (SEE BEFORE)

REFERENCE REPRESENTEE : 1379658-1 PART NUMBER SHOWN (SEE BEFORE)

VERROU SECONDAIRE PREVERROUILLE (POSITION PREFERENTIELLE DE LIVRAISON). SI LE VERROU N'EST PAS DANS CETTE POSITION, SUIVRE LES INSTRUCTIONS DE LA NOTICE TECHNIQUE TE 411-15672 §8.2 SECONDARY LOCK IN PRELOCKED POSITION (PREFERRED DELIVERY POSITION). IF SECONDARY LOCKING IS NOT IN THIS POSITION, FOLLOW INSTRUCTIONS OF TE SPECIFICATION 411-15672 §8.2

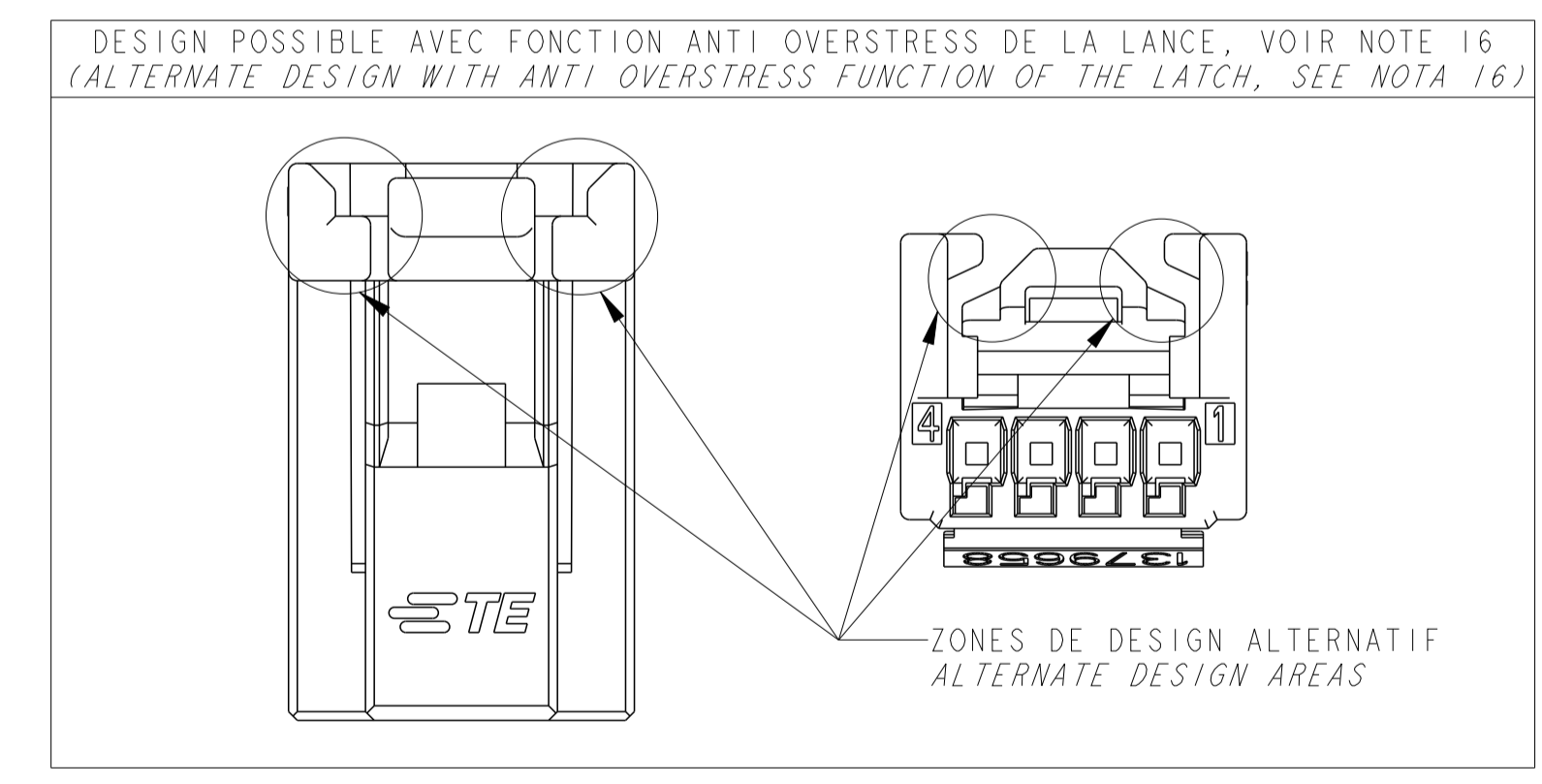
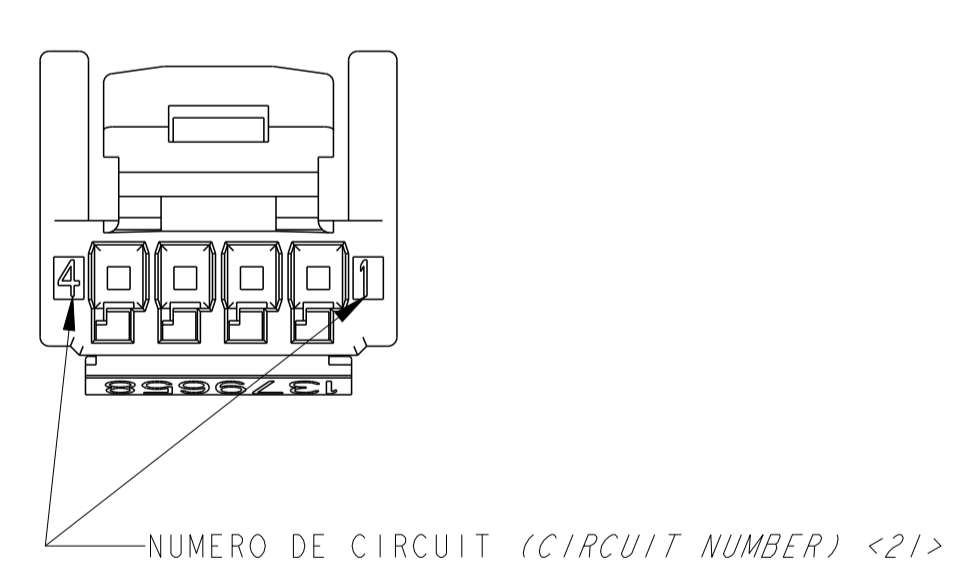
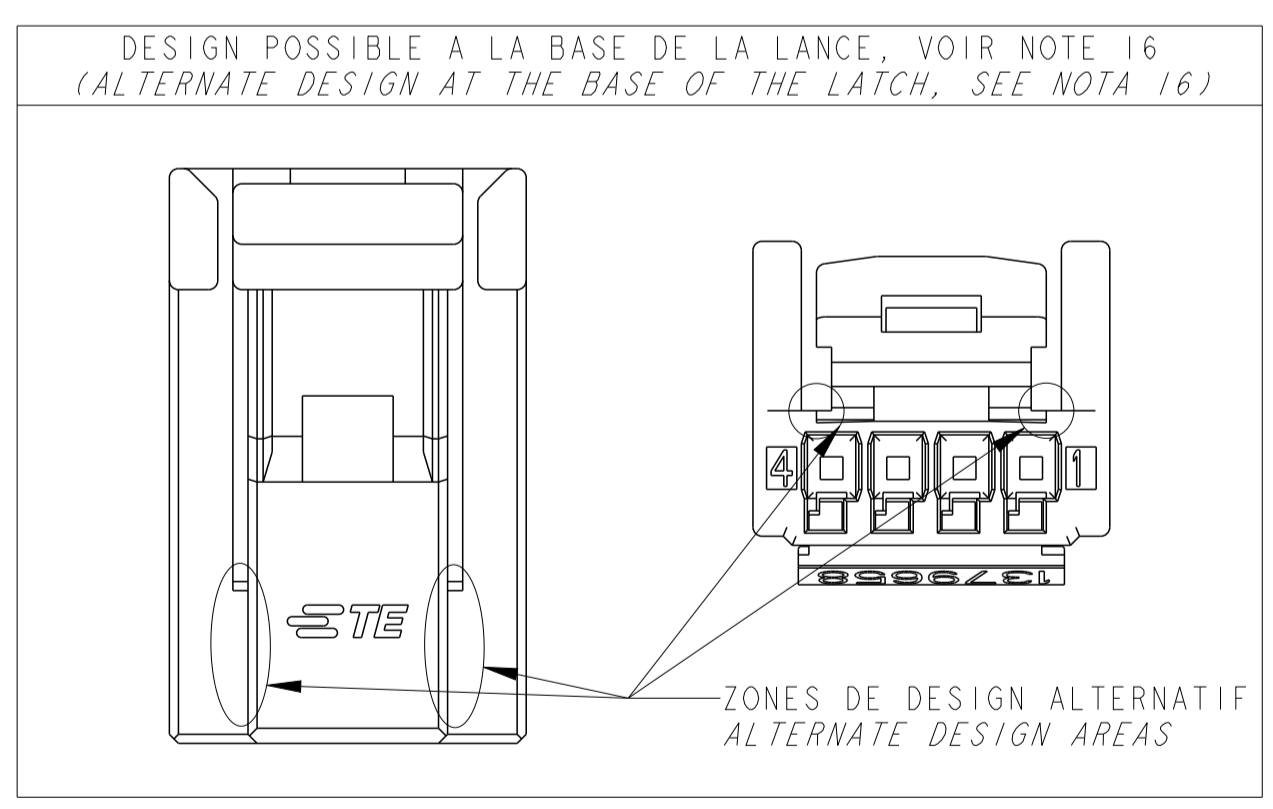
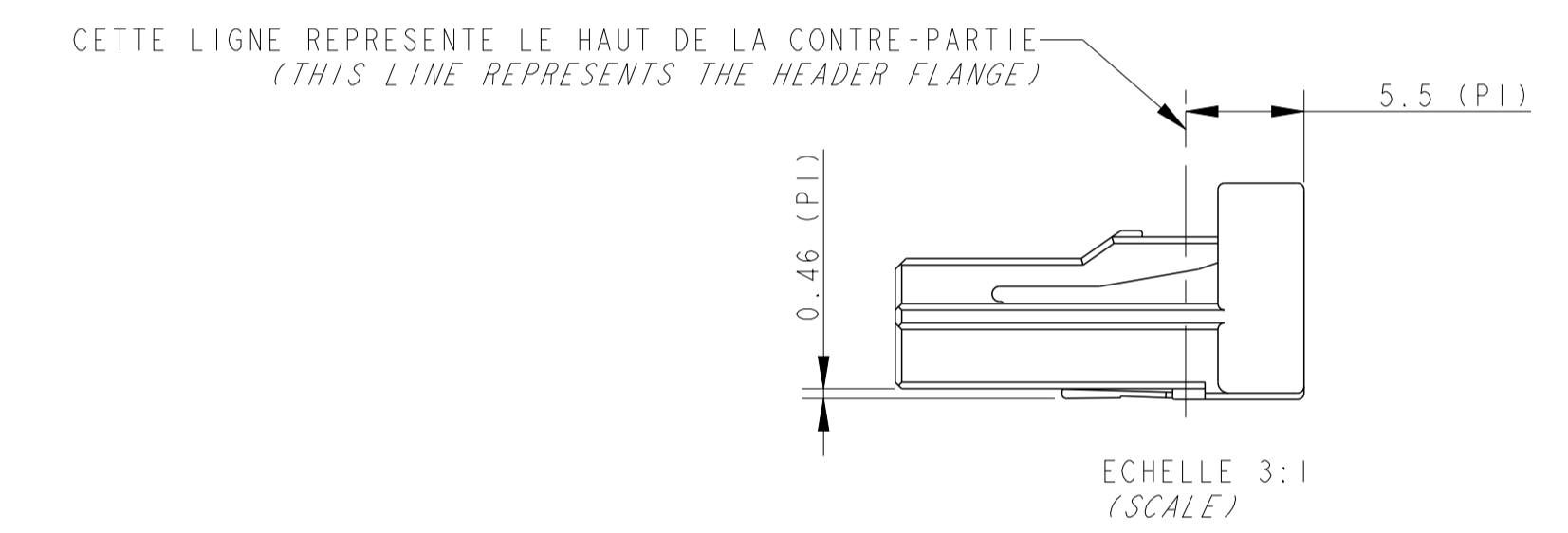
LIGNE BLANCHE AUTORISEE SUR CHARNIERE WHITE LINE PERMISSIBLE ON HINGE

LES DIFFERENTES VERSIONS SONT LIVREES DE FACON ALEATOIRE THE DIFFERENT VERSIONS ARE DELIVERED SO RANDOM

ALLEGEMENTS ET FORMES COSMETIQUES PEUVENT DIFFERER D'UN MOULE A L'AUTRE LIGHTENINGS (DIMENSION & LOCATION), COSMETIC SHAPES CAN DIFFER FROM ONE MOLD TO ANOTHER

MARQUAGES ET POSITIONS PEUVENT DIFFERER D'UN MOULE A L'AUTRE MARKING TYPE & LOCATION CAN DIFFER FROM ONE MOLD TO ANOTHER

POUR INFORMATION FOR REFERENCE ONLY



CONTACTS ASSOCIES LISTE NON EXHAUSTIVE (APPLIED CONTACTS NON EXHAUSTIVE LIST)

REFERENCE TE (TE PART NUMBER)	FINITION (FINISH)	DESIGNATION (DESIGNATION)
1123343-2	DORE (0.38µm) / GOLDED (0.38µm)	CLIP .635 (.635 CONTACT) 0.22 A 0.5 MM² (SQMM)
1801069-2	DORE (0.8µm) / GOLDED (0.8µm)	CLIP .635 (.635 CONTACT) 0.22 A 0.5 MM² (SQMM)
1674298-1	ETAME (TINNED)	CLIP .635 (.635 CONTACT) 0.22 A 0.5 MM² (SQMM)

REFERENCE TE / TE PART NUMBER	DESCRIPTION / DESCRIPTION	CODAGE / KEYING	MATIERE / MATERIAL	COULEUR / COLOR	REVISION PIECE / PART REVISION
1379658-4	CONNECTEUR 4 VOIES / 4 WAY CONNECTOR	4 / 4	PBT / PBT	VERT / GREEN	A
1379658-3	CONNECTEUR 4 VOIES / 4 WAY CONNECTOR	3 / 3	PBT / PBT	BLEU / BLUE	A
1379658-2	CONNECTEUR 4 VOIES / 4 WAY CONNECTOR	2 / 2	PBT / PBT	GRIS / GREY	A
1-1379658-1	CONNECTEUR 4 VOIES / 4 WAY CONNECTOR	1 / 1	PBT / PBT	NATUREL / NATURAL	A
1379658-1	CONNECTEUR 4 VOIES / 4 WAY CONNECTOR	1 / 1	PBT / PBT	NOIR / BLACK	A

THIS DRAWING IS A CONTROLLED DOCUMENT. CE PLAN EST UN DOCUMENT CONTROLÉ PAR TISSOT ELECTRONICS. IL EST SUSCEPTIBLE D'ÊTRE MODIFIÉ. CONSULTER LE SERVICE TECHNIQUE DE TISSOT ELECTRONICS POUR OBTENIR LA DERNIÈRE VERSION.

DWN / PRESSING: 29OCT2002
D. BANCE
CHK / PREVIEW: 04NOV2002
B. DUPONT

APVD / APPROVE: 04NOV2002
JP - PLS/AUD
PRODUCT SPEC: SEE TABLE
SPEC. PRODUCT: SEE TABLE
APPLICATION SPEC: SEE TABLE
SPEC. APPLICATION: SEE TABLE

NAME: 025 TH 4 POS PLUG HOUSING

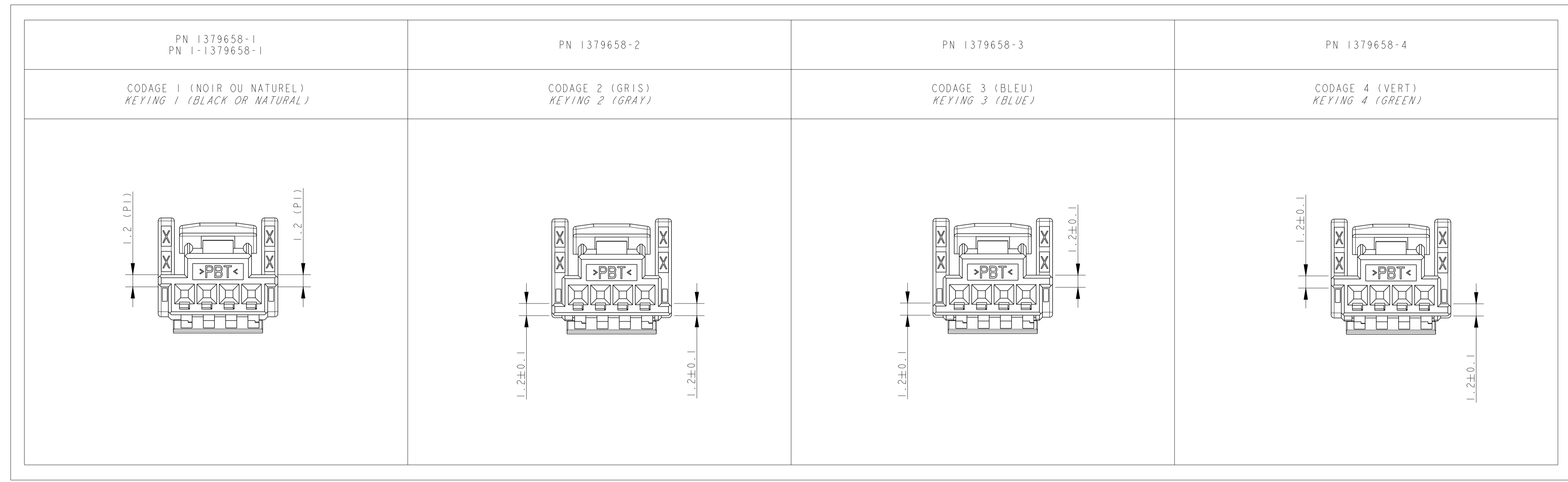
SIZE: A1
CAGE CODE: 00779
DRAWING NO: 1379658

RESTRICTED TO RESERVE A

CUSTOMER DRAWING / PLAN CLIENT UNIFORMEMENT FOUR REFERENCE

SCALE: 4:1 SHEET FEUILLE 1 OF 2 REV H

LOC		DIST		REVISIONS			
P	LTN	REV	DESCRIPTION	DATE	DWN	APPV	
-	-	-	SEE SHEET 1	-	-	-	-



THIS DRAWING IS A CONTROLLED DOCUMENT. CE PLAN EST UN DOCUMENT CONTRÔLÉ PAR TYSO ELECTRONICS - IL EST SUSCEPTIBLE D'ÊTRE TENU, COMPTER LE SERVICE TECHNIQUE DE TYSO ELECTRONICS POUR OBTENIR LA DERNIÈRE RÉVISION.		DWN / REVISION: 29OCT2002 D. BANCE CHK / RÉVISÉ: 04NOV2002 B. DUPONT	TE Connectivity	
DIMENSIONS: mm	TOLERANCES UNLESS OTHERWISE SPECIFIED: (SUIVY NE DE DÉCIMALES): 0 P.L.C./DEC: ±0.2 1 P.L.C./DEC: ±0.2 2 P.L.C./DEC: ±0.2 3 P.L.C./DEC: ±0.2 4 P.L.C./DEC: ±0.2 ANGLES: ±5°	APVD / APPROUVÉ: 04NOV2002 JP. PICAUD PRODUCT SPEC: SPEC. PRODUCT: SEE TABLE APPLICATION SPEC: SPEC. APPLICATION: SEE TABLE		NAME: 025 TH 4 POS PLUG HOUSING -
MATERIAL / MATIÈRE: SEE TABLE	FINISH / FINITION: -	WEIGHT / MASSE APPROX.: -	SIZE / FORMAT: A1 CAGE CODE / DRAWING NO. / N° PLAN: 00779-1379658 CUSTOMER DRAWING / PLAN CLIENT: UNIFORMED / ÉCHELLE: 4:1 SHEET / FEUILLE: 2 OF 2	RESTRICTED TO / RÉSERVÉ À: -

Mouser Electronics

Authorized Distributor

Click to View Pricing, Inventory, Delivery & Lifecycle Information:

[TE Connectivity:](#)

[1379658-1](#)