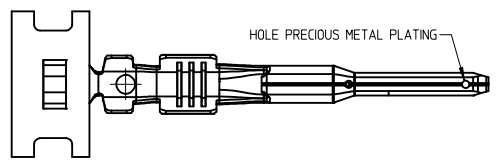


SEE SHEET 6
FOR M3 GRIP CODE TERMINAL

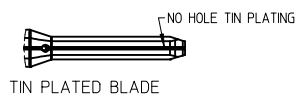
CARRIER BUMP DIRECTION
POINTS DOWN FOR TIN PLATED TERMINALS
POINTS UP FOR PRECIOUS PLATED TERMINALS

GENERAL NOTES: (UNLESS OTHERWISE SPECIFIED)

- MATING TERMINAL SHOWN ON SD-33012-002
- MATERIAL: ASTM B422, UNS C19025, HR04
THICKNESS: 0.30 mm +0.01
TEMPER: FULL HARD (REF)
TENSILE: 496-572 MPA
- TIN PLATED TERMINAL FINISH:
OVERALL UNDERPLATE ELECTRODEPOSITED NICKEL
OVERALL ELECTRODEPOSITED REFLOW TIN
- GOLD PLATED TERMINAL FINISH:
OVERALL UNDERPLATE ELECTRODEPOSITED DUCTILE SULFAMATE NICKEL
CONTACT AREA - ELECTRODEPOSITED GOLD
GRIP AREA - ELECTRODEPOSITED 100% TIN MATTE FINISH
- SILVER PLATED TERMINAL FINISH:
OVERALL UNDERPLATE ELECTRODEPOSITED DUCTILE SULFAMATE NICKEL
CONTACT AREA - ELECTRODEPOSITED PURE SILVER (0.5% MAX IMPURITIES) SEMI-BRIGHT FINISH
- SILVER ANTI-TARNISH + EVABRITE
GRIP AREA - ELECTRODEPOSITED 100% TIN MATTE FINISH
- MEETS CRIMP PERFORMANCE SPECIFICATION SAE/USCAR-21 (8/2001)
- MEETS PERFORMANCE STANDARD FOR AUTOMOTIVE ELECTRICAL CONNECTOR SYSTEMS
SAE/USCAR-2 REV 3 (APRIL 2001)
- MEETS FIELD CORRELATED LIFE TEST SAE/USCAR-20 (11/2001)
- MEETS WIRING COMPONENT DESIGN GUIDELINES SAE/USCAR-12 REV 2 (12/2001)
- MEETS ELECTRICAL CONNECTION SYSTEM DESIGN SPECIFICATION (SDS) REV 11 (5/2002)
- REFERENCE PK-31300-516 FOR REEL DIRECTION
- REFERENCE AS-33000-001 FOR CRIMP INFORMATION



PRECIOUS METAL PLATED BLADE



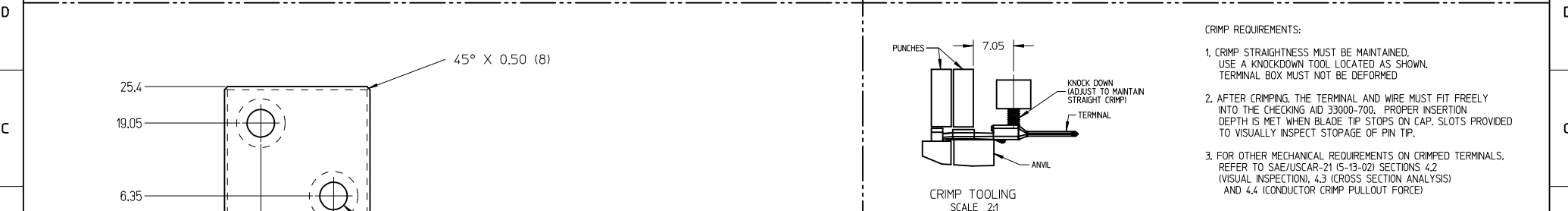
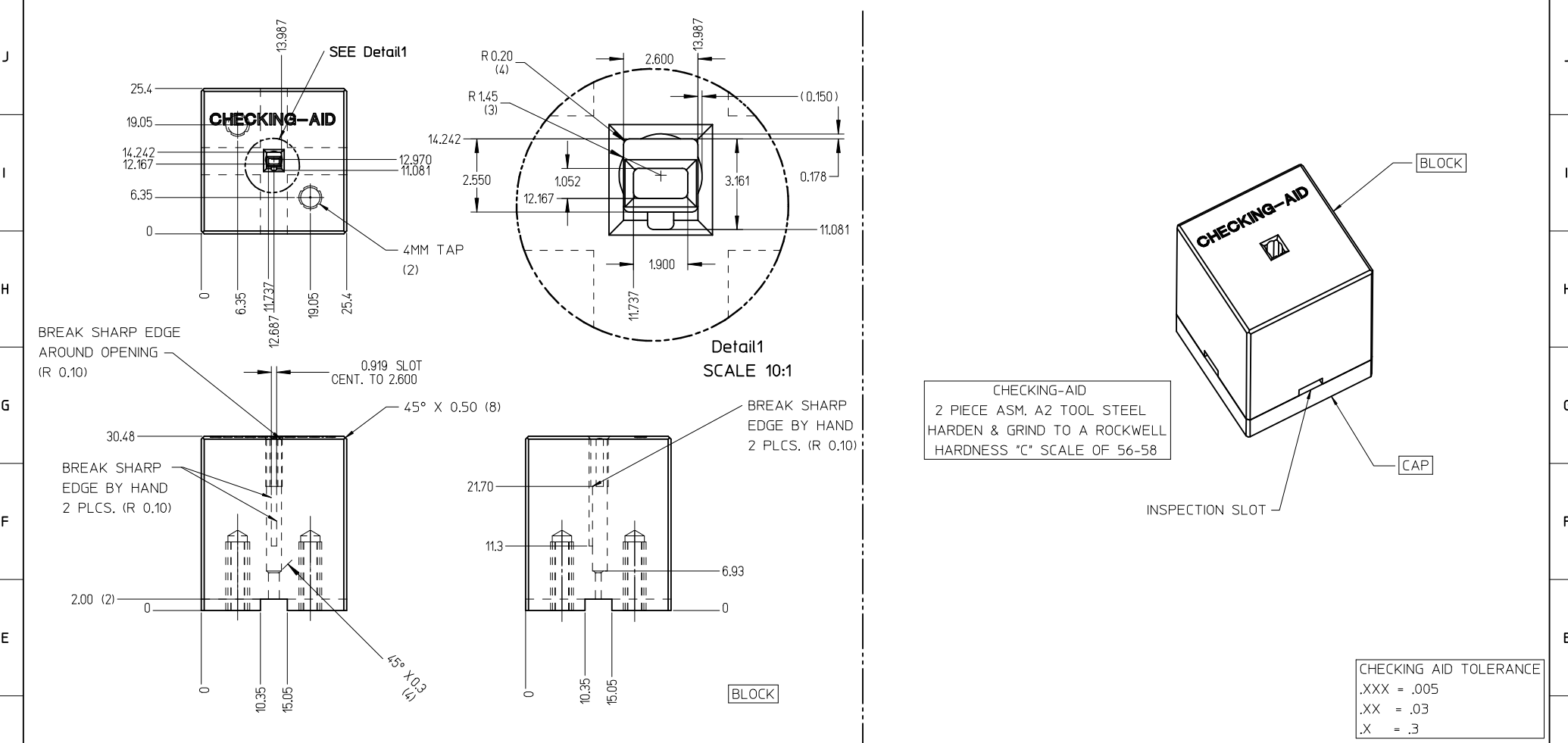
TIN PLATED BLADE

ENTER DESCRIPTION EC NO: UAU2017-1076 DRWINWENKATESHSH2017/05/24 CHKD:A. DHIR 2017/05/29 APPR:TJSMITH 2017/06/09	QUALITY SYMBOLS 	GENERAL TOLERANCES (UNLESS SPECIFIED)		DIMENSION STYLE MM ONLY	SCALE 4:1	DESIGN UNITS METRIC	THIRD ANGLE PROJECTION		
		4 PLACES ± --- ± --- 3 PLACES ± --- ± --- 2 PLACES ± 0.10 ± --- 1 PLACE ± 0.3 ± --- 0 PLACE ± ±	mm INCH ± --- ± --- ± 0.10 ± --- ± 0.3 ± --- ± ±	DRAWN BY L.PULLIAM 2006/01/31	DATE DATE	TITLE MX150 15MM BLADE TERMINAL			
		APPROVED BY B.MOSER 2006/02/02		DATE DATE	DOCUMENT NO. SD-33000-001	SHEET NO. 1 OF 5			
		REVISION D1	DESCRIPTION DRAFT WHERE APPLICABLE MUST REMAIN WITHIN DIMENSIONS	MATERIAL NO. SEE TABLE	SIZE C	THIS DRAWING CONTAINS INFORMATION THAT IS PROPRIETARY TO MOLEX INCORPORATED AND SHOULD NOT BE USED WITHOUT WRITTEN PERMISSION			

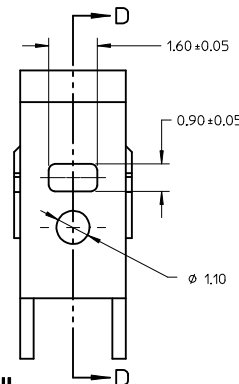
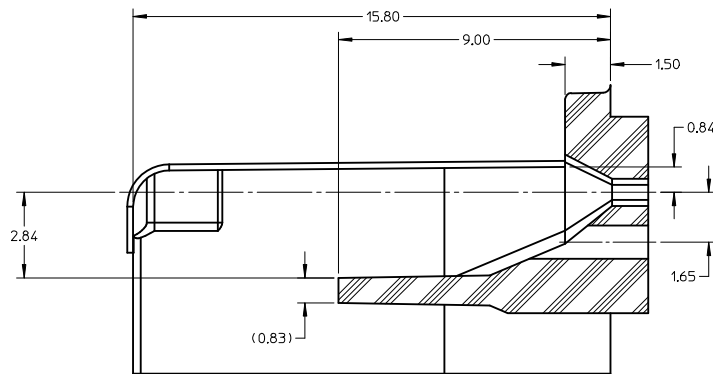
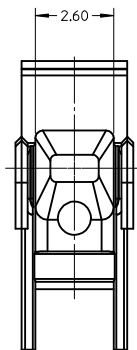
FAMILY	GENDER	SEALING	PLATING	PART NUMBER	PAYOFF DIRECTION	GRIP CODE	WIRE SIZES*	A ±0.30	B ±0.30	C ±0.30	D ±0.30	SPECIAL CHARACTERISTICS
MX150	BLADE	MAT SEAL UNSEALED	Sn	33000-0001	RIGHT (B)	14	14AWG	3.9	3.8	1.7	1.6	HIGH PERFORMANCE Sn
				33000-1001	LEFT (D)		1.50-2.00mm ²					
				33000-0002	RIGHT (B)	18	20/18/16AWG	3.3	3.1	1.3	1.4	
				33000-1002	LEFT (D)		0.75-1.00mm ²					
				33000-0003	RIGHT (B)	22	22AWG	2.5	2.6	0.9	1.0	
				33000-1003	LEFT (D)							
				33000-0004	RIGHT (B)	M3	0.35-0.50mm ²	2.5	2.7	0.9	1.54 ±0.1	
			33000-1004	LEFT (D)								
			Au	33011-1002	RIGHT (B)	14	14AWG	3.9	3.8	1.7	1.6	HIGH PERFORMANCE Au
				33011-0002	LEFT (D)		1.50-2.00mm ²					
				33011-1004	RIGHT (B)	18	20/18/16AWG	3.3	3.1	1.3	1.4	
				33011-0004	LEFT (D)		0.75-1.00mm ²					
				33011-1006	RIGHT (B)	22	22AWG	2.5	2.6	0.9	1.0	
				33011-0006	LEFT (D)							
				33011-1008	RIGHT (B)	M3	0.35-0.50mm ²	2.5	2.7	0.9	1.54 ±0.1	
			33011-0008	LEFT (D)								
			Ag	33011-2003	RIGHT (B)	14	14AWG	3.9	3.8	1.7	1.6	HIGH PERFORMANCE Ag
				33011-3003	LEFT (D)		1.50-2.00mm ²					
				33011-2002	RIGHT (B)	18	20/18/16AWG	3.3	3.1	1.3	1.4	
				33011-3002	LEFT (D)		0.75-1.00mm ²					
				33011-2001	RIGHT (B)	22	22AWG	2.5	2.6	0.9	1.0	
33011-3001	LEFT (D)											
33011-2004	RIGHT (B)	M3		0.35-0.50mm ²	2.5	2.7	0.9	1.54 ±0.1				
33011-3004	LEFT (D)											

* REFERENCE AS-33000-001 FOR SPECIFIC WIRE TYPES

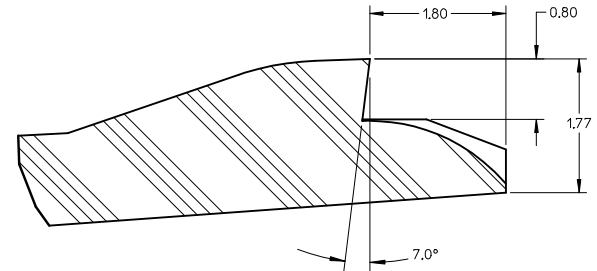
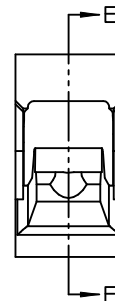
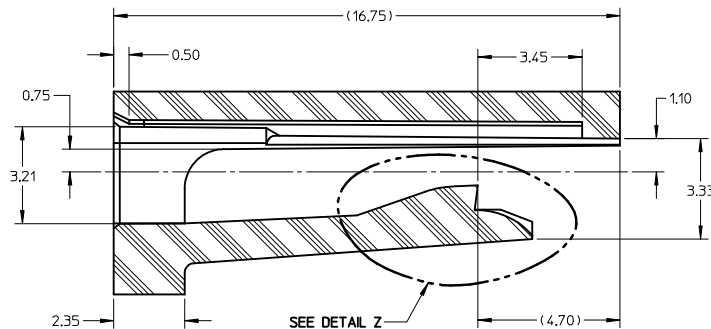
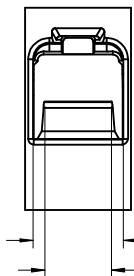
ENTER DESCRIPTION EC NO: UAU2017-1076 DRWINWENKATESH/2017/05/24 CHKDA, DHIR 2017/05/29 APPR:TJSM/TH 2017/06/09 D1	QUALITY SYMBOLS 	GENERAL TOLERANCES (UNLESS SPECIFIED)		DIMENSION STYLE MM ONLY	SCALE	DESIGN UNITS METRIC	THIRD ANGLE PROJECTION		
		4 PLACES ± --- ± ---	3 PLACES ± --- ± ---	2 PLACES ± 0.10 ± ---	1 PLACE ± 0.3 ± ---	0 PLACE ± ±	DRAWN BY DATE L.PULLIAM 2006/01/31		
		ANGULAR ± 3 °					CHECKED BY DATE A.DHIR 2006/02/01		
		DRAFT WHERE APPLICABLE MUST REMAIN WITHIN DIMENSIONS					APPROVED BY DATE B.MOSER 2006/02/02		
							MATERIAL NO.		SHEET NO.
					SEE TABLE		2 OF 5		
					DOCUMENT NO. SD-33000-001				
THIS DRAWING CONTAINS INFORMATION THAT IS PROPRIETARY TO MOLEX INCORPORATED AND SHOULD NOT BE USED WITHOUT WRITTEN PERMISSION									



ENTER DESCRIPTION EC NO: UAU2017-1076 DRWN:VENKATESH2017/05/24 CHKD:A. DHIR 2017/05/29 APPR:TJSM:TH 2017/06/09	QUALITY SYMBOLS ▽=0 ▽=0 ▽=0	GENERAL TOLERANCES (UNLESS SPECIFIED)		DIMENSION STYLE MM ONLY		SCALE 2:1	DESIGN UNITS METRIC	THIRD ANGLE PROJECTION	
		mm	INCH	DRAWN BY L.PULLIAM	DATE 2006/01/31	TITLE MX150 1.5MM BLADE TERMINAL	molex		
4 PLACES ±	±	CHECKED BY A.DHIR	DATE 2006/02/01	MATERIAL NO. SEE TABLE		DOCUMENT NO. SD-33000-001			
3 PLACES ±	±	APPROVED BY B.MOSER	DATE 2006/02/02						
2 PLACES ±0.10	±	DRAFT WHERE APPLICABLE MUST REMAIN WITHIN DIMENSIONS			THIS DRAWING CONTAINS INFORMATION THAT IS PROPRIETARY TO MOLEX INCORPORATED AND SHOULD NOT BE USED WITHOUT WRITTEN PERMISSION				
1 PLACE ±0.3	±								
0 PLACE ±	±								



SECTION D-D TPA/INSERT DETAIL

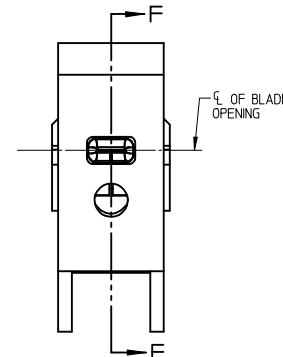
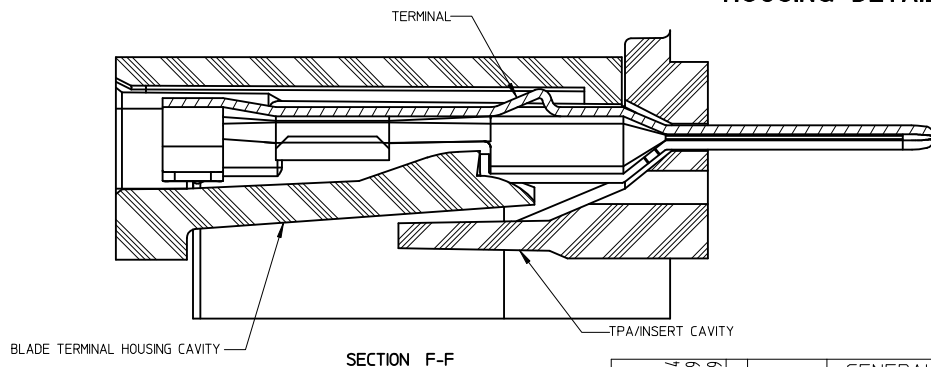
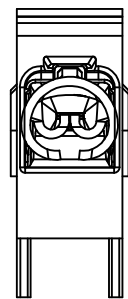


DETAIL Z SCALE 20:1

HOUSING DETAIL

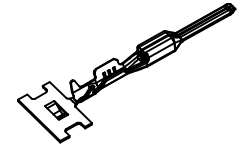
NOTES: (UNLESS OTHERWISE SPECIFIED)

- TOLERANCES: LINEAR ± 0.10
ANGULAR 3°
- ALL DRAFT WITHIN TOLERANCE
- MAX RADI ON ALL CORNERS SHOWN SHARP: 0.10
- MAX FLASH PERMISSIBLE: 0.1
- EJECTOR PIN MARKS PERMISSIBLE IF FLUSH TO 0.25 BELOW SURFACE
- MATERIAL: HOUSING/FINGER SPECIFICATION ENGINEERED FOR MATERIAL WITH THE FOLLOWING PROPERTIES:
A. FLEXURAL MODULUS = 4,500 TO 9,400 MPa
PER ASTM TEST D790
B. ELONGATION AT YIELD = 2.3% OR BETTER
PER ASTM TEST D638 TYPE V
- CAVITY SPEC FOR USE ONLY WITH MOLEX BLADE TERMINAL PART NUMBERS (EXCEPT P/N'S FOR UNSEALED APPLICATIONS) SPECIFIED ELSEWHERE ON THIS DRAWING

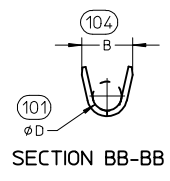
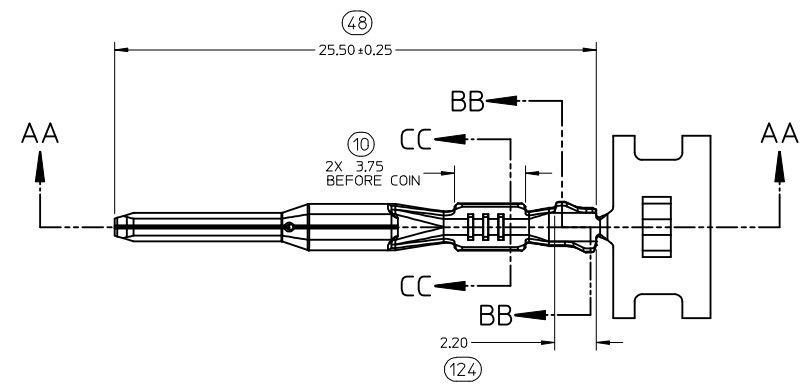


BLADE CAVITY ASSEMBLY VIEWS

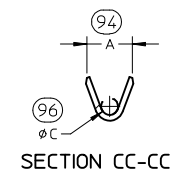
ENTER DESCRIPTION EC NO: UAU2017-1076 DRWINVENKATESHSH2017/05/24 CHKD:A. DHIR 2017/05/29 APPR:TJSMITH 2017/06/09	QUALITY SYMBOLS ∇=0 ∇=0 ∇=0	GENERAL TOLERANCES (UNLESS SPECIFIED)		DIMENSION STYLE MM ONLY		SCALE METRIC	DESIGN UNITS METRIC	THIRD ANGLE PROJECTION	
		4 PLACES \pm --- \pm --- 3 PLACES \pm --- \pm --- 2 PLACES ± 0.10 \pm --- 1 PLACE ± 0.3 \pm --- 0 PLACE \pm \pm	mm INCH DRAWN BY L.PULLIAM DATE 2006/01/31 CHECKED BY DATE APPROVED BY A.DHIR DATE 2006/02/01 B.MOSER DATE 2006/02/02	TITLE MX150 15MM BLADE TERMINAL		DOCUMENT NO. SD-33000-001		SHEET NO. 4 OF 5	
		ANGULAR $\pm 3^\circ$		MATERIAL NO. SEE TABLE		THIS DRAWING CONTAINS INFORMATION THAT IS PROPRIETARY TO MOLEX INCORPORATED AND SHOULD NOT BE USED WITHOUT WRITTEN PERMISSION			
		DRAFT WHERE APPLICABLE MUST REMAIN WITHIN DIMENSIONS		SIZE C					



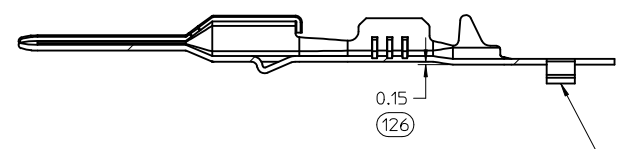
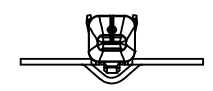
ISO VIEW
SCALE 2:1



SECTION BB-BB



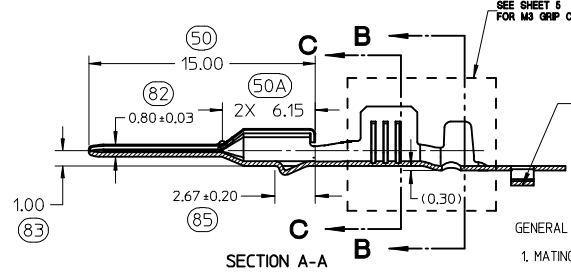
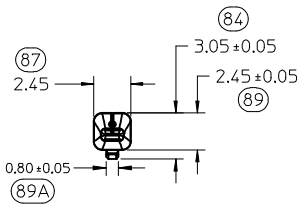
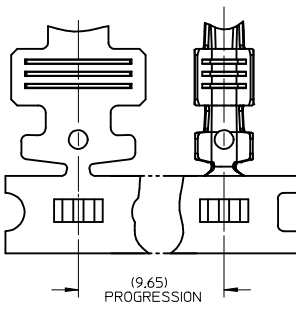
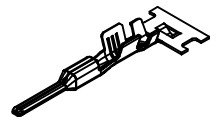
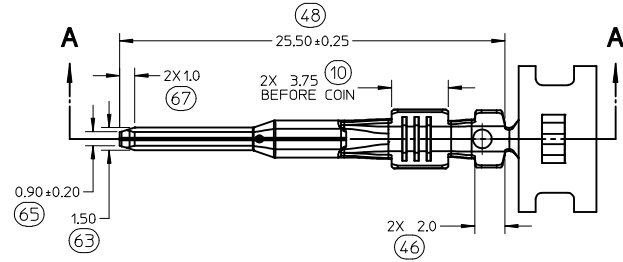
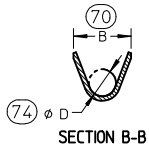
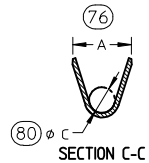
SECTION CC-CC



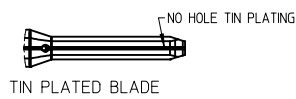
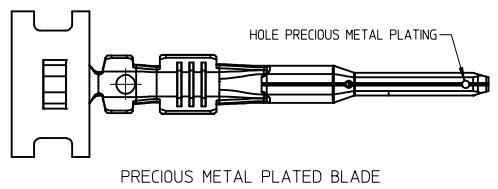
SECTION AA-AA
M3 GRIP CODE TERMINAL
SEE TABLE (SHEET 2) FOR PART NUMBERS

CARRIER BUMP DIRECTION
POINTS DOWN FOR TIN PLATED TERMINALS
POINTS UP FOR PRECIOUS METAL PLATED TERMINALS

ENTER DESCRIPTION EC NO: UAU2017-1076 DRW:WENKATESHSH/2017/05/24 CHKD:A. DHIR 2017/05/29 APPR:T.JSMITH 2017/06/09 REV: D1	QUALITY SYMBOLS ∇=0 ∇=0 ∇=0	GENERAL TOLERANCES (UNLESS SPECIFIED)		DIMENSION STYLE MM ONLY	SCALE 5:1	DESIGN UNITS METRIC	THIRD ANGLE PROJECTION		
		4 PLACES ± --- ± --- 3 PLACES ± --- ± --- 2 PLACES ± 0.10 ± --- 1 PLACE ± 0.3 ± ---	mm INCH	DRAWN BY L.PULLIAM 2006/01/31	CHECKED BY A.DHIR 2006/02/01	TITLE MX150 15MM BLADE TERMINAL			
		ANGULAR ± 3°		APPROVED BY B.MOSER 2006/02/02	MATERIAL NO. SEE TABLE				
		DRAFT WHERE APPLICABLE MUST REMAIN WITHIN DIMENSIONS		SIZE C		MOLEX INCORPORATED DOCUMENT NO. SD-33000-001			
THIS DRAWING CONTAINS INFORMATION THAT IS PROPRIETARY TO MOLEX INCORPORATED AND SHOULD NOT BE USED WITHOUT WRITTEN PERMISSION									




- GENERAL NOTES: (UNLESS OTHERWISE SPECIFIED)
- MATING TERMINAL SHOWN ON SD-33012-002
 - MATERIAL: ASTM B422, UNS C19025, HR04
THICKNESS: 0.30 mm +0.01
TEMPER: FULL HARD (REF)
TENSILE: 496-572 MPA
 - TIN PLATED TERMINAL FINISH:
OVERALL UNDERPLATE ELECTRODEPOSITED NICKEL
OVERALL ELECTRODEPOSITED REFLOW TIN
 - GOLD PLATED TERMINAL FINISH:
OVERALL UNDERPLATE ELECTRODEPOSITED DUCTILE SULFAMATE NICKEL
CONTACT AREA - ELECTRODEPOSITED GOLD
GRIP AREA - ELECTRODEPOSITED 100% TIN MATTE FINISH
 - SILVER PLATED TERMINAL FINISH:
OVERALL UNDERPLATE ELECTRODEPOSITED DUCTILE SULFAMATE NICKEL
CONTACT AREA - ELECTRODEPOSITED PURE SILVER (0.5% MAX IMPURITIES) SEMI-BRIGHT FINISH
- SILVER ANTI-TARNISH - EVABRITE
GRIP AREA - ELECTRODEPOSITED 100% TIN MATTE FINISH
 - MEETS CRIMP PERFORMANCE SPECIFICATION SAE/USCAR-21 (8/2001)
 - MEETS PERFORMANCE STANDARD FOR AUTOMOTIVE ELECTRICAL CONNECTOR SYSTEMS SAE/USCAR-2 REV 3 (APRIL 2001)
 - MEETS FIELD CORRELATED LIFE TEST SAE/USCAR-20 (11/2001)
 - MEETS WIRING COMPONENT DESIGN GUIDELINES SAE/USCAR-12 REV 2 (12/2001)
 - MEETS ELECTRICAL CONNECTION SYSTEM DESIGN SPECIFICATION (SDS) REV 11 (5/2002)
 - REFERENCE PK-31300-516 FOR REEL DIRECTION
 - REFERENCE AS-33000-001 FOR CRIMP INFORMATION

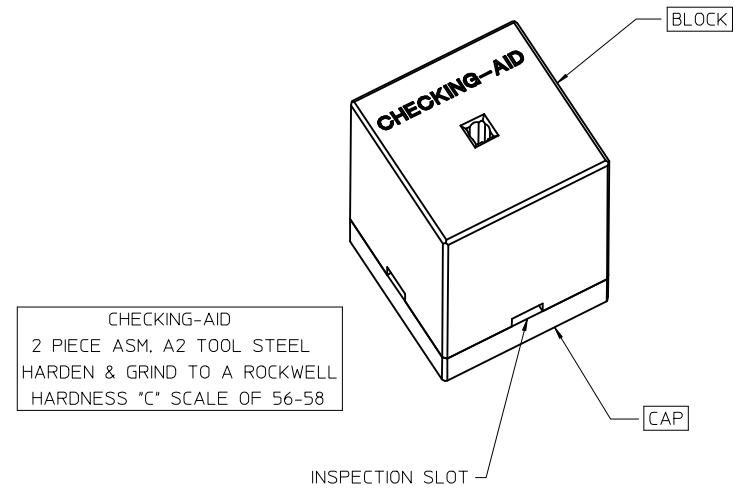
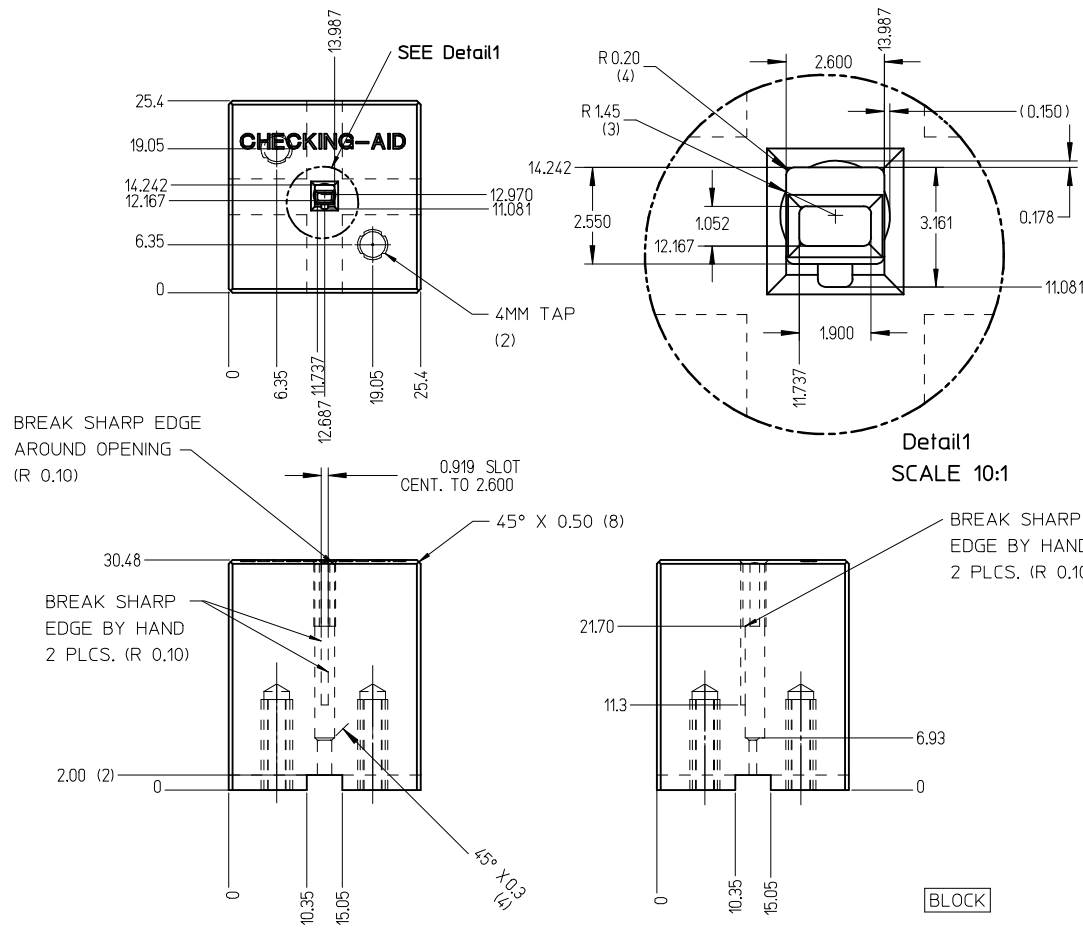


ENTER DESCRIPTION EC NO: UAU2017-1076 DRWINWENKATESHSH2017/05/24 CHKD:A. DHIR 2017/05/29 APPR:TJSMITH 2017/06/09	QUALITY SYMBOLS ▽=0 ▽=0 ▽=0	GENERAL TOLERANCES (UNLESS SPECIFIED)		DIMENSION STYLE MM ONLY		SCALE 4:1	DESIGN UNITS METRIC	THIRD ANGLE PROJECTION	
		mm	INCH	DRAWN BY L.PULLIAM	DATE 2006/01/31	TITLE MX150 15MM BLADE TERMINAL			
D1	DESCRIPTION	4 PLACES ±	---	±	---	CHECKED BY A.DHIR	DATE 2006/02/01	DOCUMENT NO. SD-33000-001	
		3 PLACES ±	---	±	---	APPROVED BY B.MOSER	DATE 2006/02/02		
		2 PLACES ±	0.10	±	---			SHEET NO. 1 OF 5	
		1 PLACE ±	0.3	±	---				
		0 PLACE ±		±					
		ANGULAR ± 3 °		MATERIAL NO. SEE TABLE					
		DRAFT WHERE APPLICABLE MUST REMAIN WITHIN DIMENSIONS		SIZE C		THIS DRAWING CONTAINS INFORMATION THAT IS PROPRIETARY TO MOLEX INCORPORATED AND SHOULD NOT BE USED WITHOUT WRITTEN PERMISSION			

FAMILY	GENDER	SEALING	PLATING	PART NUMBER	PAYOFF DIRECTION	GRIP CODE	WIRE SIZES*	A ±0.30	B ±0.30	C ±0.30	D ±0.30	SPECIAL CHARACTERISTICS
MX150	BLADE	MAT SEAL UNSEALED	Sn	33000-0001	RIGHT (B)	14	14AWG	3.9	3.8	1.7	1.6	HIGH PERFORMANCE Sn
				33000-1001	LEFT (D)		1.50-2.00mm ²					
				33000-0002	RIGHT (B)	18	20/18/16AWG	3.3	3.1	1.3	1.4	
				33000-1002	LEFT (D)		0.75-1.00mm ²					
				33000-0003	RIGHT (B)	22	22AWG	2.5	2.6	0.9	1.0	
				33000-1003	LEFT (D)							
				33000-0004	RIGHT (B)	M3	0.35-0.50mm ²	2.5	2.7	0.9	1.54 ±0.1	
			33000-1004	LEFT (D)								
			Au	33011-1002	RIGHT (B)	14	14AWG	3.9	3.8	1.7	1.6	HIGH PERFORMANCE Au
				33011-0002	LEFT (D)		1.50-2.00mm ²					
				33011-1004	RIGHT (B)	18	20/18/16AWG	3.3	3.1	1.3	1.4	
				33011-0004	LEFT (D)		0.75-1.00mm ²					
				33011-1006	RIGHT (B)	22	22AWG	2.5	2.6	0.9	1.0	
				33011-0006	LEFT (D)							
				33011-1008	RIGHT (B)	M3	0.35-0.50mm ²	2.5	2.7	0.9	1.54 ±0.1	
			33011-0008	LEFT (D)								
			Ag	33011-2003	RIGHT (B)	14	14AWG	3.9	3.8	1.7	1.6	HIGH PERFORMANCE Ag
				33011-3003	LEFT (D)		1.50-2.00mm ²					
				33011-2002	RIGHT (B)	18	20/18/16AWG	3.3	3.1	1.3	1.4	
				33011-3002	LEFT (D)		0.75-1.00mm ²					
				33011-2001	RIGHT (B)	22	22AWG	2.5	2.6	0.9	1.0	
33011-3001	LEFT (D)											
33011-2004	RIGHT (B)	M3		0.35-0.50mm ²	2.5	2.7	0.9	1.54 ±0.1				
33011-3004	LEFT (D)											

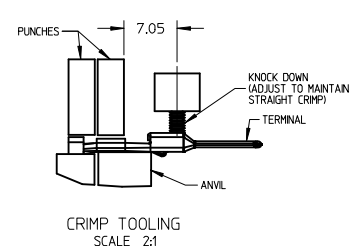
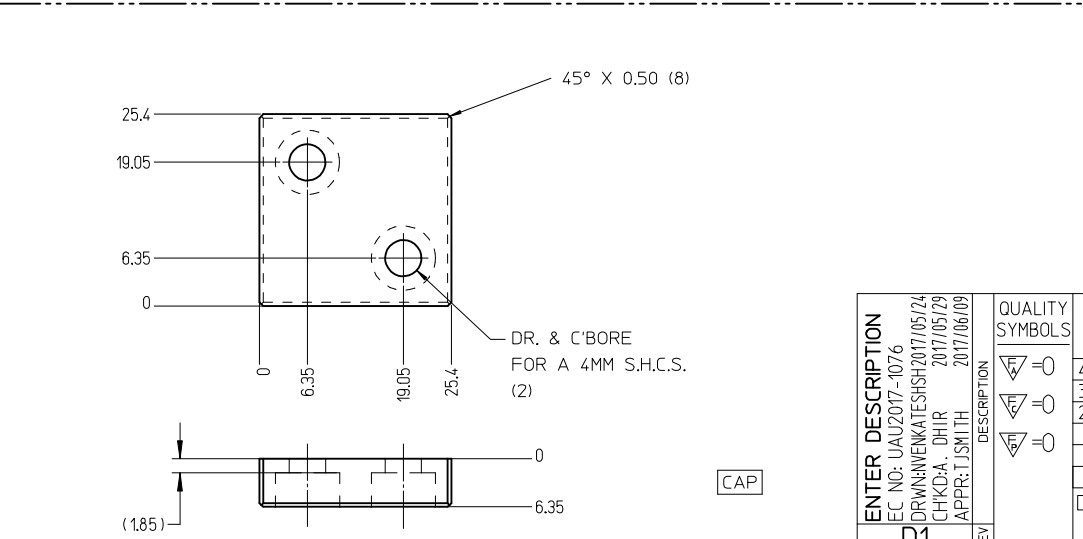
* REFERENCE AS-33000-001 FOR SPECIFIC WIRE TYPES

ENTER DESCRIPTION EC NO: UAU2017-1076 DRWINWENKATESHSH2017/05/24 CHKDA: DHIR 2017/05/29 APPR: T.JSM/TH 2017/06/09	QUALITY SYMBOLS ▽=0 ▽=0 ▽=0	GENERAL TOLERANCES (UNLESS SPECIFIED)		DIMENSION STYLE MM ONLY	SCALE	DESIGN UNITS METRIC	THIRD ANGLE PROJECTION	
		4 PLACES ± --- ± ---	3 PLACES ± --- ± ---	DRAWN BY L.PULLIAM	DATE 2006/01/31	TITLE MX150 15MM BLADE TERMINAL		
		2 PLACES ± 0.10 ± ---	1 PLACE ± 0.3 ± ---	CHECKED BY A.DHIR	DATE 2006/02/01	 DOCUMENT NO. SD-33000-001		
		0 PLACE ± ±	ANGULAR ± 3 °	APPROVED BY B.MOSER	DATE 2006/02/02			
		DRAFT WHERE APPLICABLE MUST REMAIN WITHIN DIMENSIONS		MATERIAL NO.	SIZE C	THIS DRAWING CONTAINS INFORMATION THAT IS PROPRIETARY TO MOLEX INCORPORATED AND SHOULD NOT BE USED WITHOUT WRITTEN PERMISSION		



CHECKING-AID
 2 PIECE ASM. A2 TOOL STEEL
 HARDEN & GRIND TO A ROCKWELL
 HARDNESS "C" SCALE OF 56-58

CHECKING AID TOLERANCE
 .XXX = .005
 .XX = .03
 .X = .3



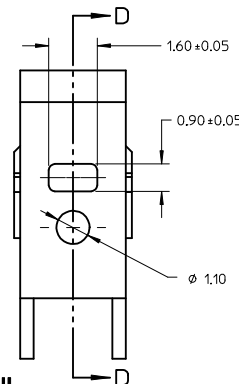
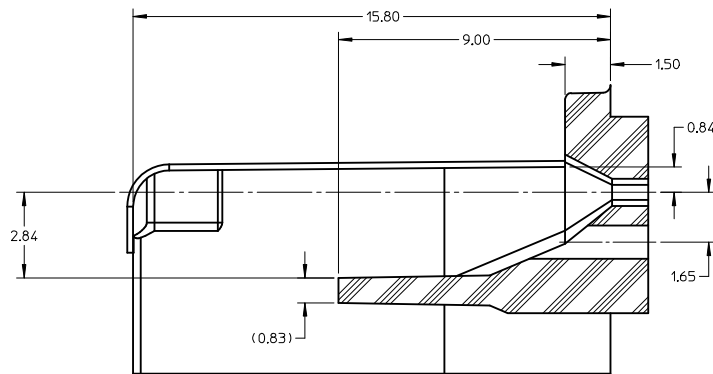
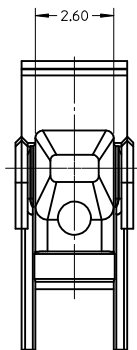
- CRIMP REQUIREMENTS:
1. CRIMP STRAIGHTNESS MUST BE MAINTAINED. USE A KNOCKDOWN TOOL LOCATED AS SHOWN. TERMINAL BOX MUST NOT BE DEFORMED
 2. AFTER CRIMPING, THE TERMINAL AND WIRE MUST FIT FREELY INTO THE CHECKING AID 33000-700. PROPER INSERTION DEPTH IS MET WHEN BLADE TIP STOPS ON CAP. SLOTS PROVIDED TO VISUALLY INSPECT STOPPAGE OF PIN TIP.
 3. FOR OTHER MECHANICAL REQUIREMENTS ON CRIMPED TERMINALS. REFER TO SAE/USCAR-21 (5-13-02) SECTIONS 4.2 (VISUAL INSPECTION), 4.3 (CROSS SECTION ANALYSIS) AND 4.4 (CONDUCTOR CRIMP PULLOUT FORCE)

REV	DESCRIPTION	QUALITY SYMBOLS
D1	ENTER DESCRIPTION EC NO: UAU2017-1076 DRWN:VENKATESH2017/05/24 CHKD:A. DHIR 2017/05/29 APPR:TJSM:TH 2017/06/09	▽=0 ▽=0 ▽=0

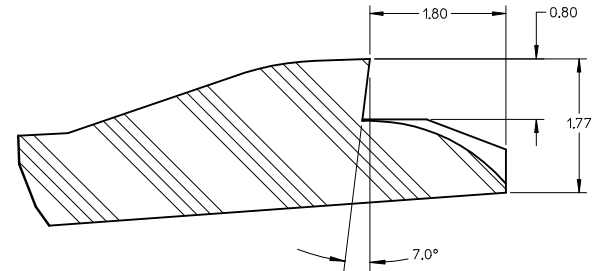
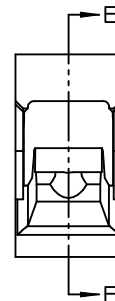
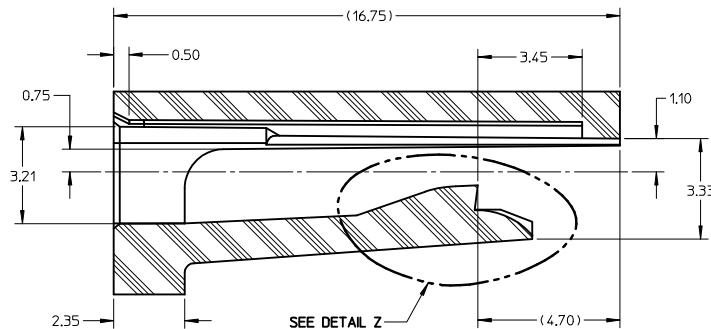
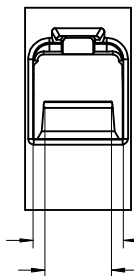
GENERAL TOLERANCES (UNLESS SPECIFIED)	
	mm INCH
4 PLACES ±	±
3 PLACES ±	±
2 PLACES ±	±0.10
1 PLACE ±	±0.3
0 PLACE ±	±
ANGULAR ± 3°	
DRAFT WHERE APPLICABLE MUST REMAIN WITHIN DIMENSIONS	

DIMENSION STYLE MM ONLY	
DRAWN BY	DATE
L.PULLIAM	2006/01/31
CHECKED BY	DATE
A.DHIR	2006/02/01
APPROVED BY	DATE
B.MOSER	2006/02/02
MATERIAL NO.	
SEE TABLE	
SIZE	C

SCALE	DESIGN UNITS	THIRD ANGLE PROJECTION
2:1	METRIC	☉
MX150 1.5MM BLADE TERMINAL		
molex		
DOCUMENT NO.	SHEET NO.	
SD-33000-001	3 OF 5	
THIS DRAWING CONTAINS INFORMATION THAT IS PROPRIETARY TO MOLEX INCORPORATED AND SHOULD NOT BE USED WITHOUT WRITTEN PERMISSION		



SECTION D-D TPA/INSERT DETAIL

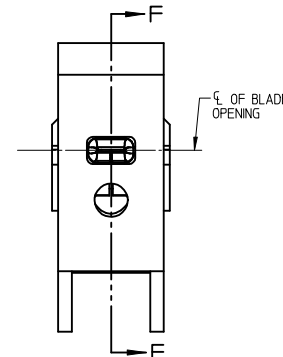
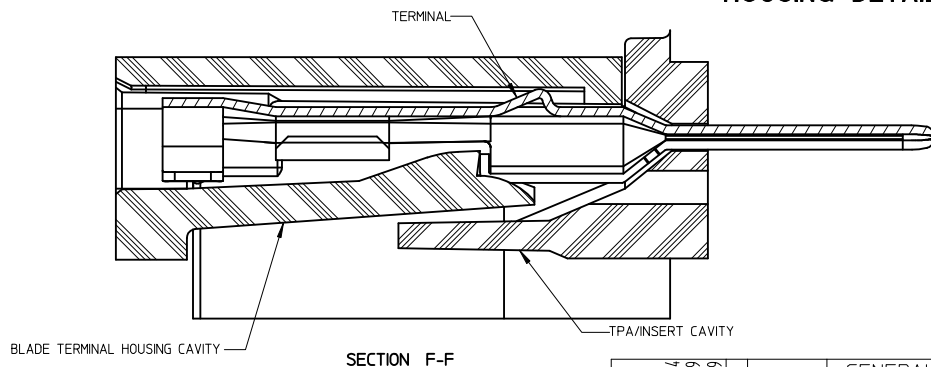
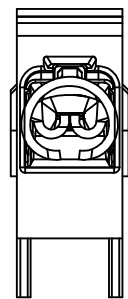


DETAIL Z SCALE 20:1

HOUSING DETAIL

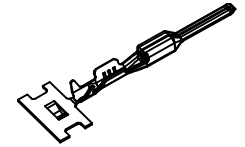
NOTES: (UNLESS OTHERWISE SPECIFIED)

- TOLERANCES: LINEAR ± 0.10
ANGULAR 3°
- ALL DRAFT WITHIN TOLERANCE
- MAX RADI ON ALL CORNERS SHOWN SHARP: 0.10
- MAX FLASH PERMISSIBLE: 0.1
- EJECTOR PIN MARKS PERMISSIBLE IF FLUSH TO 0.25 BELOW SURFACE
- MATERIAL: HOUSING/FINGER SPECIFICATION ENGINEERED FOR MATERIAL WITH THE FOLLOWING PROPERTIES:
A. FLEXURAL MODULUS = 4,500 TO 9,400 MPa
PER ASTM TEST D790
B. ELONGATION AT YIELD = 2.3% OR BETTER
PER ASTM TEST D638 TYPE V
- CAVITY SPEC FOR USE ONLY WITH MOLEX BLADE TERMINAL PART NUMBERS (EXCEPT P/N'S FOR UNSEALED APPLICATIONS) SPECIFIED ELSEWHERE ON THIS DRAWING

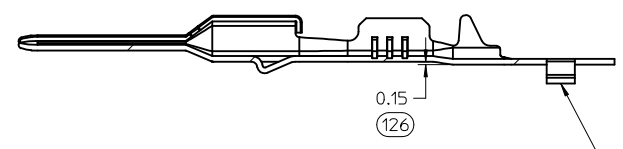
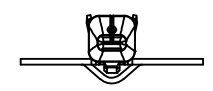
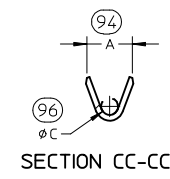
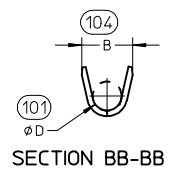
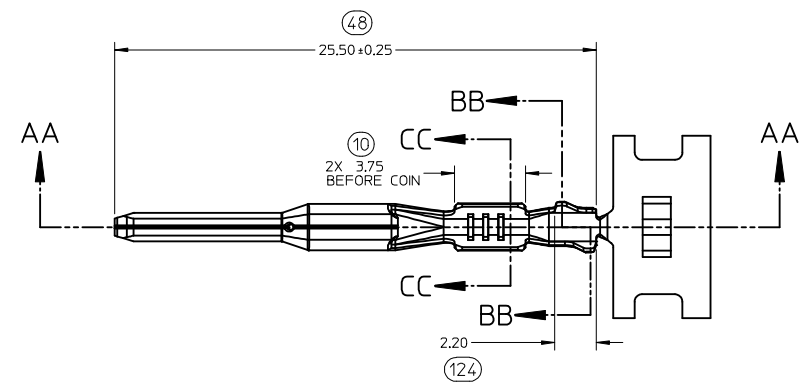


BLADE CAVITY ASSEMBLY VIEWS

ENTER DESCRIPTION EC NO: UAU2017-1076 DRWINVENKATESHSH2017/05/24 CHKD:A. DHIR 2017/05/29 APPR:TJSMITH 2017/06/09	QUALITY SYMBOLS ∇=0 ∇=0 ∇=0	GENERAL TOLERANCES (UNLESS SPECIFIED)		DIMENSION STYLE MM ONLY		SCALE METRIC	DESIGN UNITS METRIC	THIRD ANGLE PROJECTION	
		4 PLACES ± --- ± ---	mm	INCH	DRAWN BY L.PULLIAM 2006/01/31	DATE 2006/01/31	TITLE MX150 15MM BLADE TERMINAL		
		3 PLACES ± --- ± ---			CHECKED BY A.DHIR 2006/02/01	DATE 2006/02/01			
		2 PLACES ± 0.10 ± ---			APPROVED BY B.MOSER 2006/02/02	DATE 2006/02/02			
1 PLACE ± 0.3 ± ---			MATERIAL NO. SEE TABLE		DOCUMENT NO. SD-33000-001	SHEET NO. 4 OF 5			
0 PLACE ± ±			ANGULAR $\pm 3^\circ$ DRAFT WHERE APPLICABLE MUST REMAIN WITHIN DIMENSIONS		THIS DRAWING CONTAINS INFORMATION THAT IS PROPRIETARY TO MOLEX INCORPORATED AND SHOULD NOT BE USED WITHOUT WRITTEN PERMISSION				



ISO VIEW
SCALE 2:1



SECTION AA-AA
M3 GRIP CODE TERMINAL
SEE TABLE (SHEET 2) FOR PART NUMBERS

CARRIER BUMP DIRECTION
POINTS DOWN FOR TIN PLATED TERMINALS
POINTS UP FOR PRECIOUS METAL PLATED TERMINALS

ENTER DESCRIPTION EC NO: UAU2017-1076 DRW: NVENKATESHSH/2017/05/24 CHKD: A. DHIR 2017/05/29 APPR: T.JSMITH 2017/06/09 REV: D1	QUALITY SYMBOLS ▽=0 ▽=0 ▽=0	GENERAL TOLERANCES (UNLESS SPECIFIED) <table border="1"> <tr> <th></th> <th>mm</th> <th>INCH</th> </tr> <tr> <td>4 PLACES</td> <td>± ---</td> <td>± ---</td> </tr> <tr> <td>3 PLACES</td> <td>± ---</td> <td>± ---</td> </tr> <tr> <td>2 PLACES</td> <td>± 0.10</td> <td>± ---</td> </tr> <tr> <td>1 PLACE</td> <td>± 0.3</td> <td>± ---</td> </tr> </table> ANGULAR ± 3°		mm	INCH	4 PLACES	± ---	± ---	3 PLACES	± ---	± ---	2 PLACES	± 0.10	± ---	1 PLACE	± 0.3	± ---	DIMENSION STYLE MM ONLY DRAWN BY DATE L.PULLIAM 2006/01/31 CHECKED BY DATE A.DHIR 2006/02/01 APPROVED BY DATE B.MOSER 2006/02/02	SCALE 5:1 TITLE MX150 15MM BLADE TERMINAL	DESIGN UNITS METRIC THIRD ANGLE PROJECTION
		mm	INCH																	
	4 PLACES	± ---	± ---																	
	3 PLACES	± ---	± ---																	
2 PLACES	± 0.10	± ---																		
1 PLACE	± 0.3	± ---																		
DRAFT WHERE APPLICABLE MUST REMAIN WITHIN DIMENSIONS	MATERIAL NO. SEE TABLE	MOLEX INCORPORATED DOCUMENT NO. SD-33000-001	SHEET NO. 5 OF 5																	
SIZE THIS DRAWING CONTAINS INFORMATION THAT IS PROPRIETARY TO MOLEX INCORPORATED AND SHOULD NOT BE USED WITHOUT WRITTEN PERMISSION																				