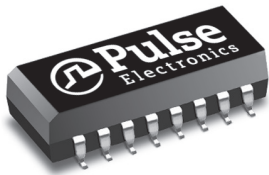


10/100 Base-T Single Port Transformer Modules

With 1:1 Transmit Turns Ratios



- RoHS peak reflow temperature rating: 245°C
- Compatible with Broadcom, Intel, Microtel, National Semiconductor, ICS, and TDK Transceivers
- Meets IEEE 802.3 specification

Electrical Specifications @ 25°C - Operating Temperature 0°C to 70°C

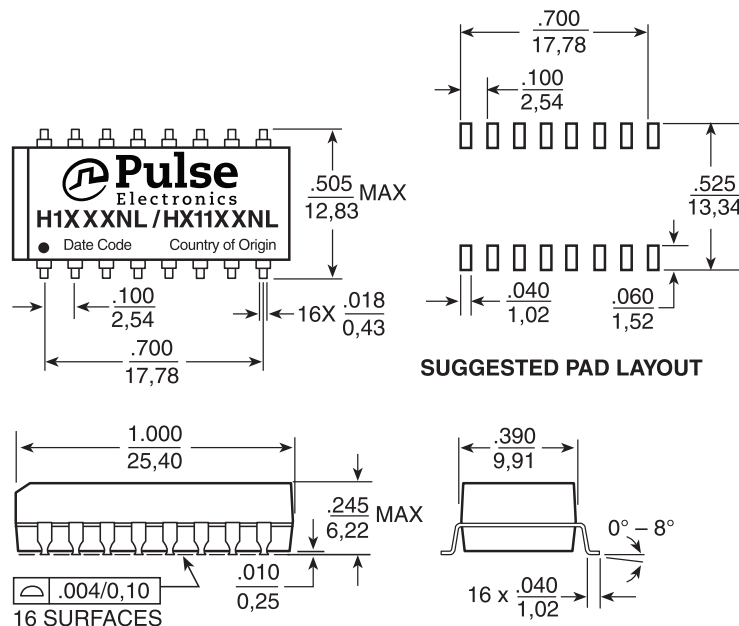
RoHS Compliant Part Number ³	Insertion Loss (dB MAX)	Return Loss (dB MIN @ 100 Ω)				Differential to Common Mode Rejection (dB MIN)			Crosstalk (dB TYP)			Hipot (Vrms MIN)
		0.1-100 MHz	1-30 MHz	40 MHz	50 MHz	60-80 MHz	30 MHz	60 MHz	100 MHz	30 MHz	60 MHz	
H1012NL ^{4c}	-1.0	-20	-20	-18	-14	-42	-36	-33	-50	-40	-40	1500
H1086NL ^{4c}	-1.0	-22	-20	-18	-12	-45	-40	-35	-50	-40	-40	1500
HX1148NL ^{1,4c}	-1.5	-18	-13.5	-11.5	-10	-42	-37	-33	-50	-40	-40	1500

Notes:

1. HX = Operating temperature: -40 + 85 C.
2. Unless specified, operating temperature is 0° to 70° C.
3. When ordering Tape & Reel packaging, add a "T" suffix to the end of the part number, e.g. H1012NLT.
4. MSL = Moisture Sensitivity Level: a=1, b=2, C=3, d=4

Mechanical

H1012NL, H1086NL, HX1148NL



Weight3.0 grams

Dimensions: $\frac{\text{Inches}}{\text{mm}}$ Unless otherwise specified, all tolerances are $\pm \frac{.010}{0,25}$

USA 858 674 8100

Germany 49 7032 7806 0

Singapore 65 6287 8998

Shanghai 86 21 62787060

China 86 755 33966678

Taiwan 886 3 4356768

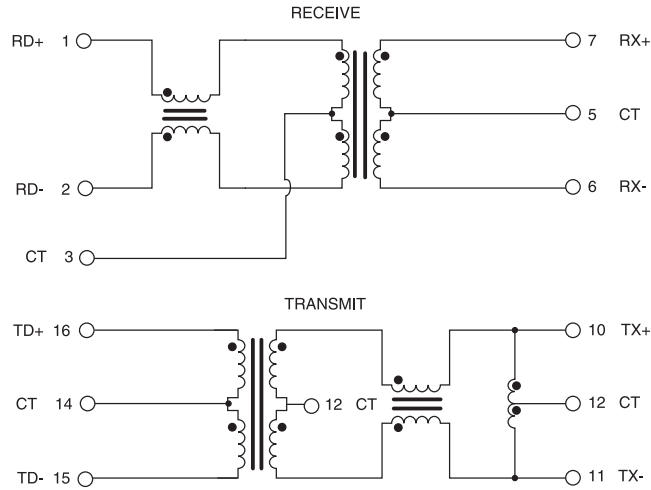
10/100 Base-T Single Port Transformer Modules

With 1:1 Transmit Turns Ratios



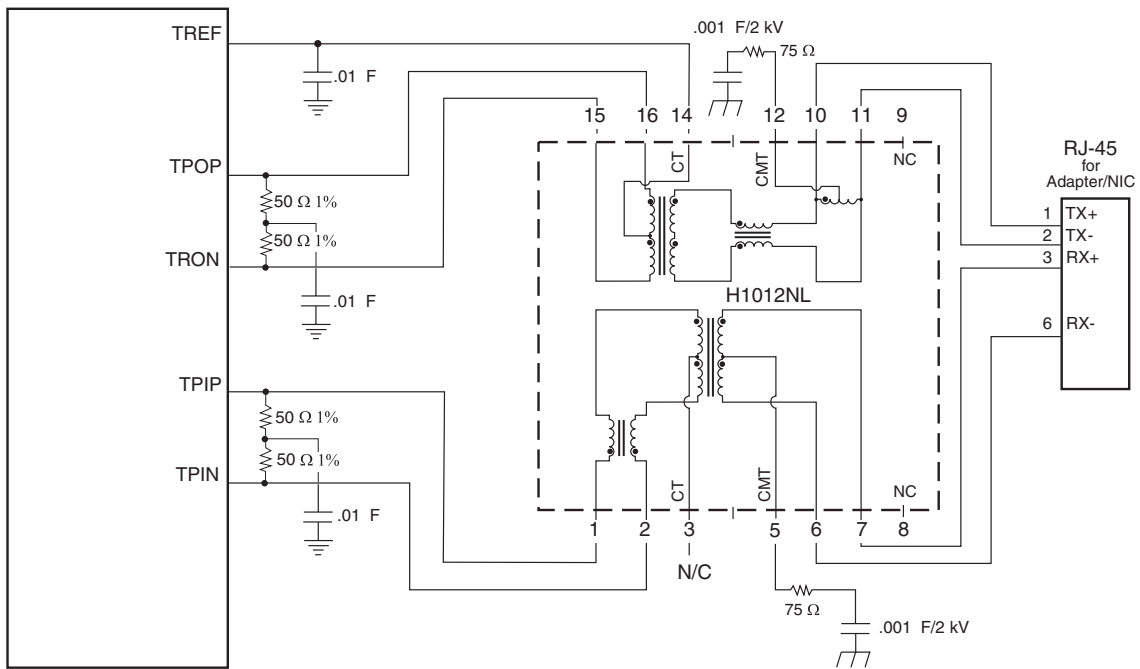
Schematic

H1012NL, H1086NL, HX1148NL



Typical Application Circuits

H1012NL, H1086NL, HX1148NL

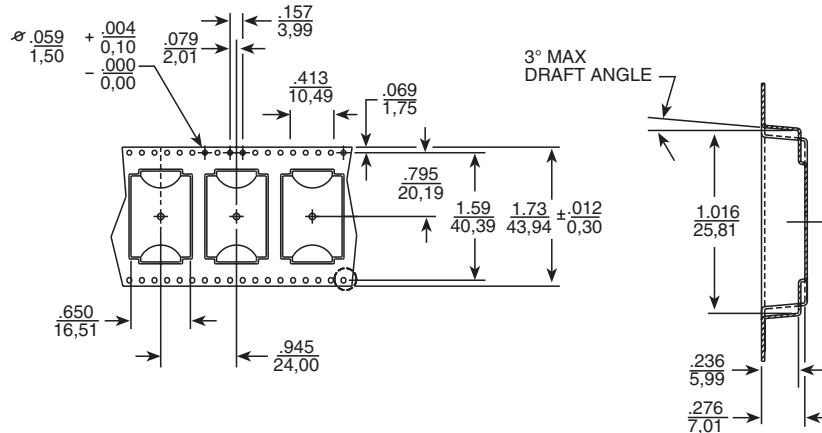


10/100 Base-T Single Port Transformer Modules

With 1:1 Transmit Turns Ratios

Tape & Reel Specifications

H1012NL, H1086NL, HX1148NL



Weight3.0 grams
 Tube20/tube
 Tape & Reel300/reel

For More Information

Pulse Worldwide Headquarters
 12220 World Trade Drive
 San Diego, CA
 92128
 U.S.A.

Tel: 858 674 8100
 Fax: 858 674 8262

Pulse Europe
 Einsteinstrasse 1
 D-71083 Herrenberg
 Germany

Tel: 49 7032 78060
 Fax: 49 7032 7806 135

Pulse China Headquarters
 B402, Shenzhen Academy of
 Aerospace Technology Bldg.
 10th Kejinan Road
 High-Tech Zone
 Nanshan District
 Shenzhen, PR China
 518057
 Tel: 86 755 33966678
 Fax: 86 755 33966700

Pulse North China
 Room 2704/2705
 Super Ocean Finance
 Ctr.
 2067 Yan An Road
 West
 Shanghai 200336
 China
 Tel: 86 21 62787060
 Fax: 86 2162786973

Pulse South Asia
 135 Joo Seng Road
 #03-02
 PM Industrial Bldg.
 Singapore 368363

Tel: 65 6287 8998
 Fax: 65 6287 8998

Pulse North Asia
 3F, No. 198
 Zhongyuan Road
 Zhongli City
 Taoyuan County 320
 Taiwan R. O. C.
 Tel: 886 3 4356768
 Fax: 886 3 4356823 (Pulse)
 Fax: 886 3 4356820 (FRE)

Performance warranty of products offered on this data sheet is limited to the parameters specified. Data is subject to change without notice. Other brand and product names mentioned herein may be trademarks or registered trademarks of their respective owners. © Copyright, 2015. Pulse Electronics, Inc. All rights reserved.

Mouser Electronics

Authorized Distributor

Click to View Pricing, Inventory, Delivery & Lifecycle Information:

Pulse:

[H1086NL](#)