

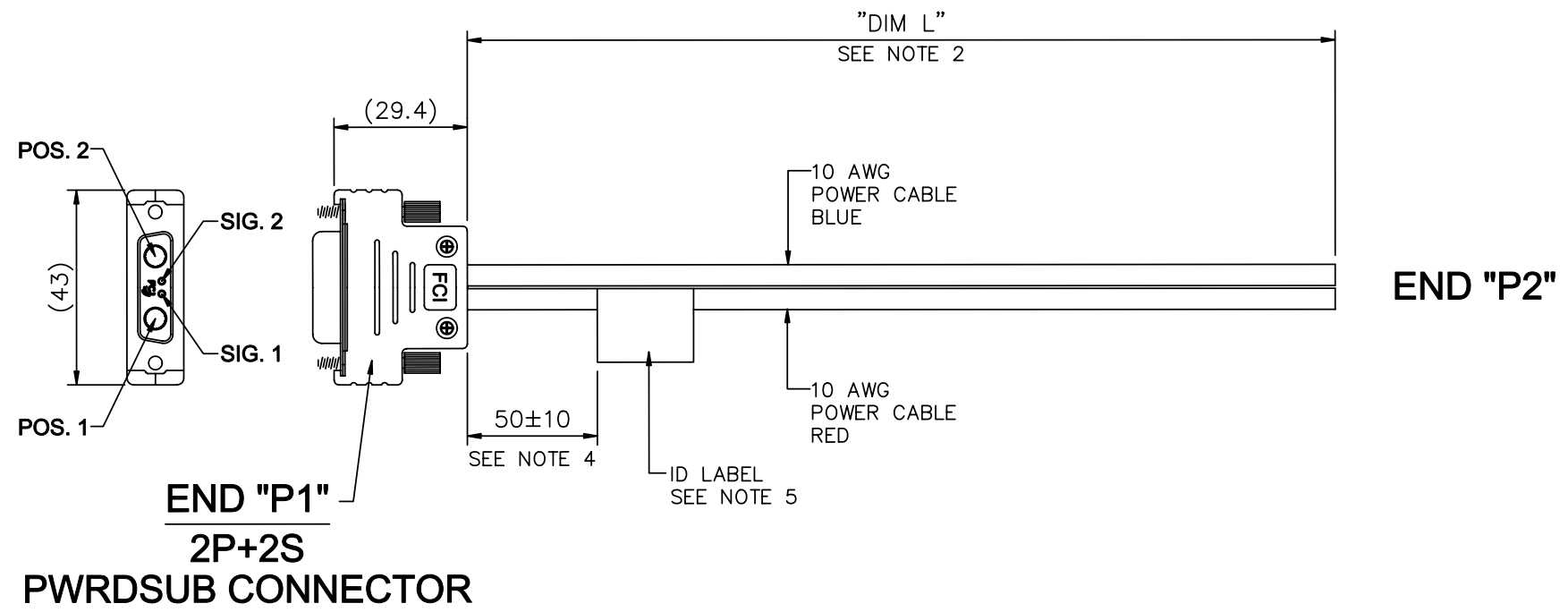
FCI CONFIDENTIAL

This document is the property of and embodies CONFIDENTIAL and PROPRIETARY information of FCI. No part of the information shown on this document may be used in any way or disclosed to others without the written consent of FCI.
Copyright FCI



FCIconnect.com

PRODUCT NUMBER SEE NOTE 3	"DIM L"
10084660-E0100YYLF	1000mm



END "P1"
2P+2S
PWRDSUB CONNECTOR

FROM "P1"	WIRE SIZE	TYPE	TO "P2"	COLOR
POS. 1	10 AWG	POWER		RED
POS. 2	10 AWG	POWER		BLUE
SIG. 1	SHORT WITH SIG. 2			
SIG. 2	SHORT WITH SIG. 1			

mat'l. code		surface		tolerance		projection		product family	
--		ISO 1302 ✓		ISO 406 ISO 1101				Cable Assembly	
ltr ecn no. dr date		tolerances unless otherwise specified				title			
A	N08-0210	delhly liu	09/25/08	ANGULAR LINEAR		MM		Pwr D-SUB 48V/DC TO CUT C&A	
						scale 4			
		dr delhly Sep.25,08'				dwg no.		sheet 1 of 2 size	
		engr delhly Sep.25,08'				10084660-E0100YYLF		A3	
		chr delhly Sep.25,08'				Type CUSTOMER		Drawing	
		appd Jackson Sep.25,08'							
sheet index	revision sheet	A 1	A 2						



PRODUCT NUMBER SEE NOTE 3	"DIM L"
10084660-E0100YYLF	1000mm

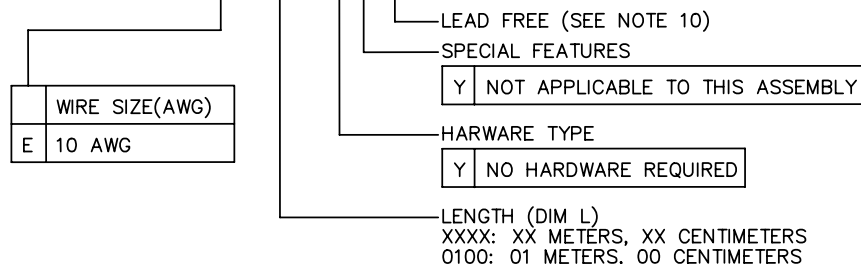
NOTES:

- ① END "P1" MATES WITH FCI HEADER PART NUMBER: 10070158-00X1XXLF
END "P2" MATES WITH FCI HEADER PART NUMBER: N/A
- ② UNLESS OTHERWISE SPECIFIED ASSEMBLIES LENGTH TOLERANCE=
< 1 METER: ±15.0mm
> 1 METER TO 10 METER: ±2% OF "DIM L"
> 10 METER: +0.00% / -4% OF "DIM L"

③ PART NUMBER DESCRIPTION:

BASE NUMBER DASH NUMBER

1 0 0 8 4 6 6 0 - E 0 1 0 0 Y Y L F



- ④ UNLESS OTHERWISE SPECIFIED LABEL POSITION SHALL BE APPROXIMATELY 50mm FROM REAR OF CONNECTOR
- ⑤ UNLESS OTHERWISE SPECIFIED STANDARD LABEL SHALL BE FCI LABEL, LABEL DETAILS AS BELOW

FCI NT	- MANUFACTURE CODE OR NAME
10084660-E0100YYLF	- FCI P/N
REV A	- REVISION
WWYY	- DATE CODE WW/YY FORMAT
MADE IN CHINA	- COUNTRY ORIGIN

FONT SHALL BE CLEARLY VISABLE AND BLACK IN COLOR

- ⑥ ALL CABLE ASSEMBLIES SHALL BE TESTED 100% FOR CONTINUITY AS DEFINED IN WIRING LIST
- 7. UNLESS OTHERWISE SPECIFIED ALL CABLE ASSEMBLIES SHALL BE 100% HI-POT TESTED BY APPLYING 300V DC FOR MINIMUM FOR 10ms, UNLESS ACTIVE COMPONENTS ARE USED IN THIS ASSEMBLY
- 8. OTHER TESTING PERFORMED AS REQUIRED BY PRODUCT SPECIFICATION: GS-XX-XXX
- ⑨ THIS DIMENSION IS A FINISHED PRODUCT LENGTH
- ⑩ LEAD FREE PRODUCTS MUST MEET EUROPEAN UNION DIRECTIVES AND OTHER COUNTRY REGULATIONS AS DESCRIBED IN GS-22-008
LEAD FREE SOLDER TAIL PLATING 2.00um(80u") MIN. MATTE TIN OVER 1.27um(50u") MIN. NICKEL UNDERPLATE.
PACKAGING OF LEAD FREE PRODUCTS MEETS LABELING AND PACKAGING SPECIFICATION GS-14-920

- ⑪ ASSEMBLY SHOWN IS FOR REFERENCE ONLY AND MAY NOT SHOW ALL PART DETAIL. REFERENCE CONNECTORE ASSEMBLY DRAWING FOR COMPLETE DETAILS
- 12. GLOBAL STANDARDS FOR CABLE PACKAGING: GS-14-1093
- 13. TUBING TO BE ADDED TO ALL 24 AWG SIGNAL CABLE, TUBING NOT SHOWN. CABLES SHALL BE TIE WRAPPED
- ⑭ A "Δ" SYMBOL WILL BE NEXT TO ANY DIMENSION, VIEW, OR NOTE WHICH HAS BEEN MODIFIED WITH THE CURRENT DRAWING REVISION. THE CURRENT REVISION WILL BE SHOWN IN THE SYMBOL
- ⑮ CABLE: UL APPROVED, TEMPERATURE RATING 105°C. 600V MIN

mat'l. code		surface		tolerance		projection		product family	
--		ISO 1302		ISO 406 ISO 1101				Cable Assembly	
tr ecn no. dr date		tolerances unless otherwise specified						title	
A	N08-0210	delhly	liu	09/25/08	ANGULAR LINEAR		MM		Pwr D-SUB 48V/DC TO CUT C&A
						scale 4			
		dr		delhly		Sep.25,08		dwg no. sheet 2 of 2 size	
		engr		delhly		Sep.25,08		10084660-E0100YYLF A3	
		chr		delhly		Sep.25,08		Type CUSTOMER Drawing	
		appd		Jackson		Sep.25,08			
sheet index	revision sheet	A	A						
		1	2						

Mouser Electronics

Authorized Distributor

Click to View Pricing, Inventory, Delivery & Lifecycle Information:

[FCI / Amphenol:](#)

[10084660-E0100YYLF](#)