

LOC	DIST	REVISIONS					
A1	-	P	LTR	DESCRIPTION	DATE	DWN	APVD
		L2		REVISED PER ECO-11-005150	28APR11	RK	HMR

2-12 POS. STANDARD-TIMER HOUSING
REFER DRAWING 1241965


RELEASED FOR PUBLICATION

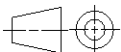
ALL RIGHTS RESERVED.

THIS DRAWING IS UNPUBLISHED.

BY

© COPYRIGHT-

DIMENSIONS:		DWN	07-NOV-06	MATERIAL	-	FINISH	-
mm		CHK	07-NOV-06	 TE Connectivity			
TOLERANCES UNLESS OTHERWISE SPECIFIED:		K. Munz	07-NOV-06				
0 PLC ±		APVD	07-NOV-06				
1 PLC ±		Th. Klenner		NAME			
2 PLC ±		PRODUCT SPEC	-	2-12 POS. STANDARD-TIMER HOUSING			
3 PLC ±		APPLICATION SPEC	-	2-12 Pol. Standard-Timer Gehäuse			
4 PLC ±				SIZE	CAGE CODE	DRAWING NO	RESTRICTED TO
ANGLES ±		WEIGHT	-	A4	-	C=928247	-
CUSTOMER DRAWING				SCALE	-	SHEET	1 OF 1
						REV	L2



Mouser Electronics

Authorized Distributor

Click to View Pricing, Inventory, Delivery & Lifecycle Information:

[TE Connectivity:](#)

[4-928247-4](#)