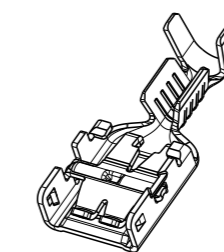
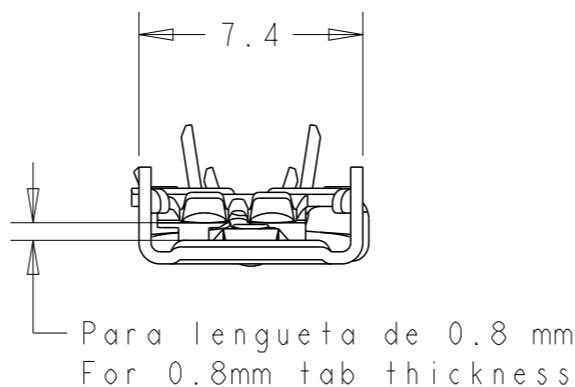
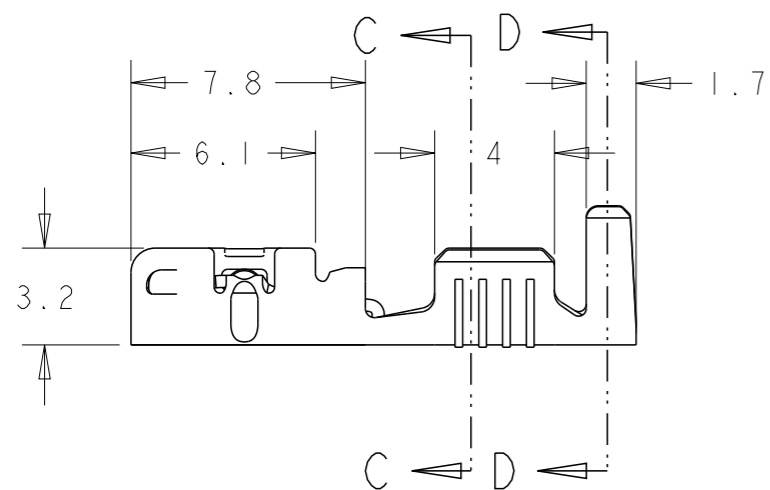


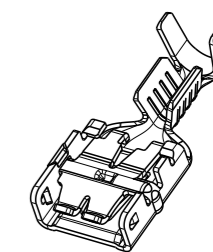
REVISIONS

P	LTR	DESCRIPTION	DATE	DWN	APVD
	K2	REVISED PER ECR-15-013036	03SEP2015	NK	DC

PACKAGING DETAILS:  
 QUANTITY PER REEL: 8000 PCS(END FEED).  
 SPLICES FREE

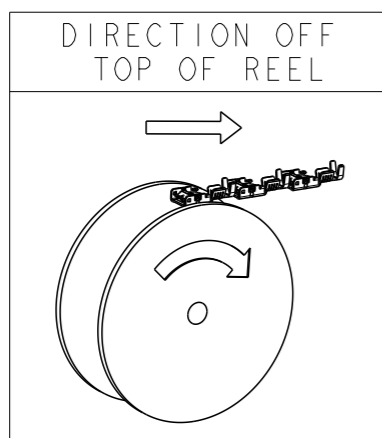
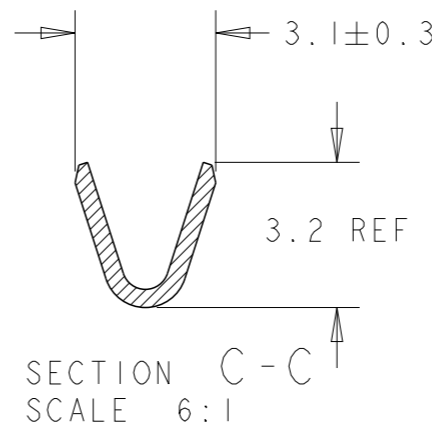
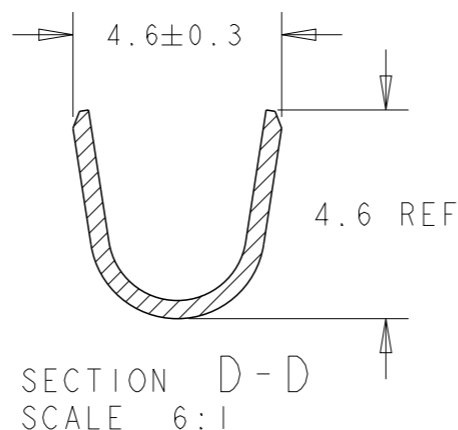
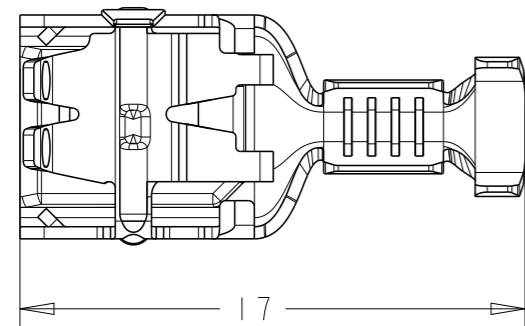


Left-sided product



Right-sided product

Rango de hilo de 0,5 a 1,5 mm<sup>2</sup>  
 Wire range from 0.5 to 1.5 mm<sup>2</sup>  
 Diametro de aislante max 3,0 mm  
 Max. Insulation Diameter 3.0 mm



336075-7 (REELED WITH PAPER INTERLEAVE)	Latón Brass	Preestañado Pre-Tin
336075-6	CuNiSi	Preestañado Pre-Tin
336075-5	Acero Steel	Preniquelado Pre-Ni
336075-3	Latón Brass	Preestañado Pre-Tin
336075-1	Latón Brass	-
Guion Dash	Material	Acabado Finish

THIS DRAWING IS A CONTROLLED DOCUMENT.		DWN J. Saló 22 Dec 04
DIMENSIONS: mm		CHK L. L. 22 Dec 04
TOLERANCES UNLESS OTHERWISE SPECIFIED:		APVD -
0 PLC	±0.5	PRODUCT SPEC 108-22128 Brass 108-22150 Pre-Ni Steel
1 PLC	±0.5	APPLICATION SPEC 114-22017
2 PLC	±	WEIGHT -
3 PLC	±	
4 PLC	±	
ANGLES	±	
MATERIAL Table	FINISH Table	Customer Drawing

<b>STE</b> TE Connectivity	
NAME E-SPRING CONTACT 6,35 Receptaculo 6.35 Receptacle E-SPRING CONTACT	
SIZE A3	CAGE CODE 00779
DRAWING NO C-336075	RESTRICTED TO -
SCALE 4:1	SHEET 1 OF 1
REV K2	

# Mouser Electronics

Authorized Distributor

Click to View Pricing, Inventory, Delivery & Lifecycle Information:

[TE Connectivity:](#)

[336075-3](#)