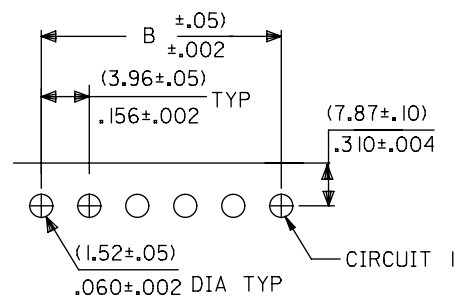
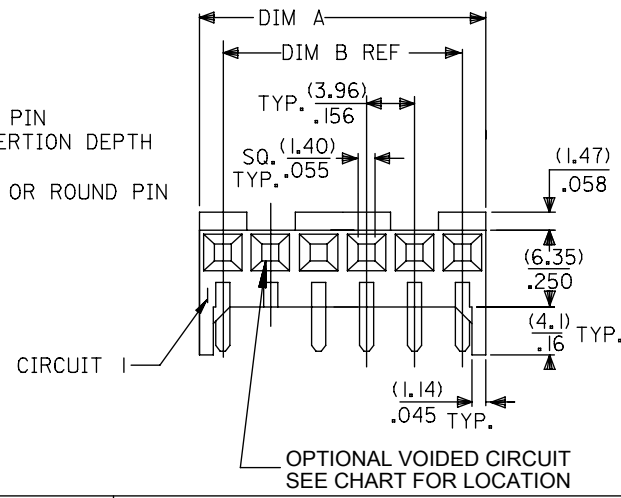
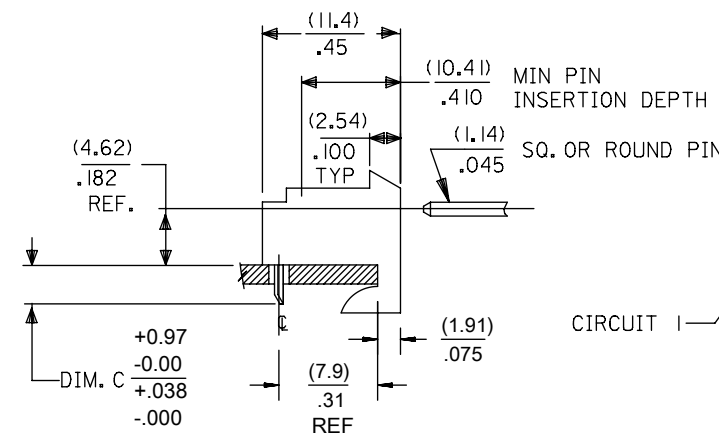


RIGHT ANGLE

HOUSING: 41815-N-AN-*** (WITH RAMP)
 HOUSING: 41815-N-DN-*** (WITHOUT RAMP)

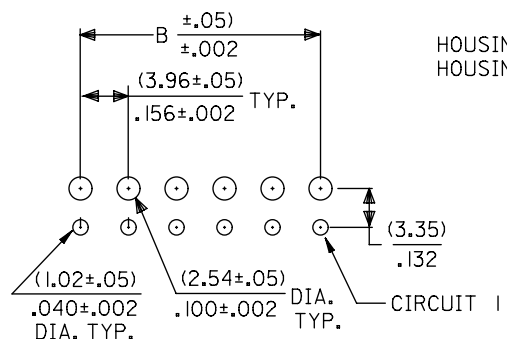


PCB LAYOUT: COMPONENT SIDE (1.57/.18)
 RECOMMENDED PCB THICKNESS: .062/.007

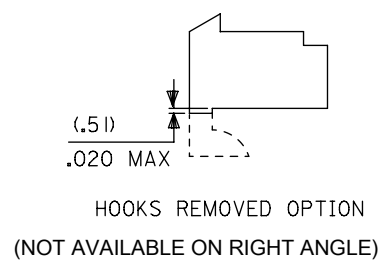
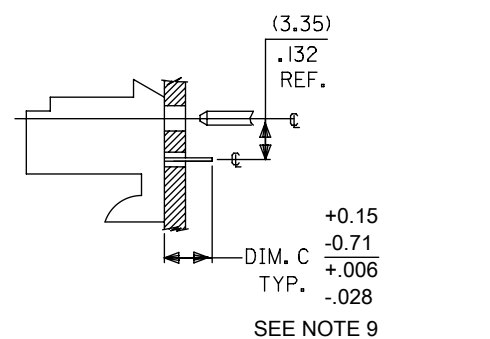


BOTTOM ENTRY

HOUSING: 41815-N-AN-*** (WITH RAMP)
 HOUSING: 41815-N-DN-*** (WITHOUT RAMP)

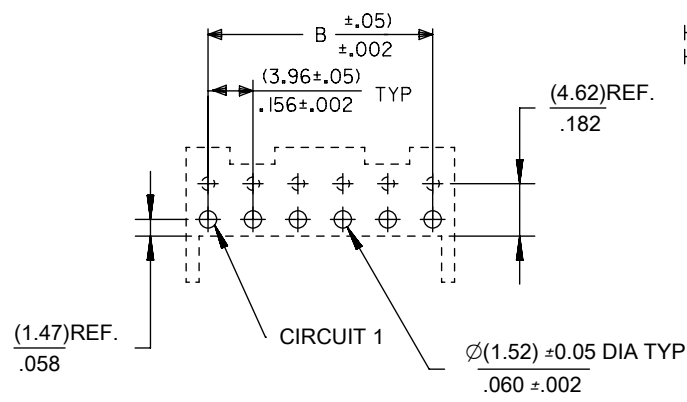


PCB LAYOUT: COMPONENT SIDE (1.57/.18)
 RECOMMENDED PCB THICKNESS: .062/.007

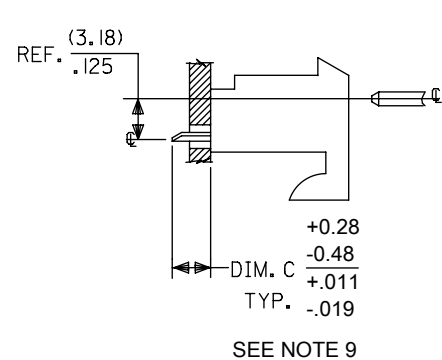


TOP ENTRY

HOUSING: 41815-N-AN-*** (WITH RAMP)
 HOUSING: 41815-N-DN-*** (WITHOUT RAMP)



PCB LAYOUT: COMPONENT SIDE (1.57/.18)
 RECOMMENDED PCB THICKNESS: .062/.007



DIM. B	DIM. A	NO. OF CKTS
(3.96) .156	(7.82±.25) .308±.010	2
(7.92) .312	(11.79±.25) .464±.010	3
(11.89) .468	(15.75±.25) .620±.010	4
(15.85) .624	(19.71±.25) .776±.010	5
(19.81) .780	(23.67±.25) .932±.010	6
(23.77) .936	(27.64±.30) 1.088±.012	7
(27.74) 1.092	(31.60±.25) 1.244±.012	8
(31.70) 1.248	(35.56±.30) 1.400±.012	9
(35.66) 1.404	(39.52±.30) 1.556±.012	10
(39.62) 1.560	(43.48±.30) 1.712±.012	11
(43.59) 1.716	(47.45±.30) 1.868±.012	12
(47.55) 1.872	(51.41±.30) 2.024±.012	13
(51.51) 2.028	(55.37±.36) 2.180±.014	14
(55.47) 2.184	(59.33±.36) 2.336±.014	15

NOTES:

- MATERIAL: HOUSING: POLYESTER, RATED UL 94V-0, COLOR: NATURAL (WHITE)
- FINISH:
 - (197) = OVERALL REFLOWED MATTE TIN: 0.00152/.000060 MIN OVER 0.00127/.000050 MIN NICKEL.
 - (208) = SELECT GOLD: 0.00038/.000015 MIN, SELECT TIN: 0.00254/.000100 MIN, OVERALL NICKEL UNDERPLATE: 0.00127/.000050 MIN.
 - (228) = SELECT GOLD: 0.00076/.000030 MIN, SELECT TIN: 0.00254/.000100 MIN, OVERALL NICKEL UNDERPLATE: 0.00127/.000050 MIN.
 - (909) = OVERALL TIN: 0.00254/.000100 MIN.
- PRODUCT SPECIFICATION: PS-08-50
- PACKAGING: SEE CHARTS
- FOR TOP ENTRY AND RIGHT ANGLE ASSEMBLIES WITH LOWER INSERTION FORCE USE SINGLE BEAM CONTACT. (TERMINAL NO. 4244)
- SOLDERABILITY: WHEN PARTS ARE SOLDERED AT A TEMPERATURE OF 230°C (446°F) FOR 5 SECONDS EACH SOLDERED SURFACE SHALL BE A MINIMUM OF 95% COVERED WITH A SMOOTH CONTINUOUS ADHERENT COATING. FOR ADDITIONAL INFORMATION SEE SMES-152.
- PARTS ARE STACKABLE END TO END ON (3.96)/.156 CENTERLINE.
- THIS PART CONFORMS TO CLASS B REQUIREMENTS OF COSMETIC SPEC PS-45499-002.
- DIMENSION 'C' MEASURED WITH TERMINAL PUSHED IN AGAINST THE STOP.

THIS DRAWING CONTAINS INFORMATION THAT IS PROPRIETARY TO MOLEX ELECTRONIC TECHNOLOGIES, LLC AND SHOULD NOT BE USED WITHOUT WRITTEN PERMISSION

QUALITY SYMBOLS	DIM C TOLERANCE EC NO: 107740 DRWN: MKIPPER CHK'D: JBELL APPR: FSMITH	GENERAL TOLERANCES (UNLESS SPECIFIED)		DIMENSION UNITS	SCALE	
		MM	INCH	MM/IN	NTS	
▽ = 0	DIM C TOLERANCE EC NO: 107740 DRWN: MKIPPER CHK'D: JBELL APPR: FSMITH	4 PLACES ±	±	DRWN BY	DATE	KK 156 HOUSING PCB 41815 SERIES
▽ = 0		3 PLACES ±	± 0.01	SAMIEC	1987/01/28	
▽ = 0		2 PLACES ±	± 0.015	SAMIEC	1987/01/28	
▽ = 0		1 PLACES ±	± 0.38	SAMIEC	1987/01/28	
▽ = 0		0 PLACES ±	±	SAMIEC	1987/01/28	
▽ = 0			ANGULAR TOL ± 0.5		CHK'D BY	DATE
▽ = 0		DRAFT WHERE APPLICABLE MUST REMAIN WITHIN DIMENSIONS		APPR BY	DATE	SERIES
				DRAWING SIZE	THIRD ANGLE PROJECTION	MATERIAL NUMBER
				B		CUSTOMER
						41815
						SEE CHART
						GENERAL MARKET
						DOCUMENT NUMBER
						SDA-41815
						DOC TYPE
						PSD
						DOC PART
						000
						SHEET NUMBER
						1 OF *

RELEASE STATUS	RELEASE DATE
----------------	--------------



KK 156 PCB ASSY 2-15 CKT

41815 SERIES

Assy. Proc:	RIGHT ANGLE
Housing No:	41815-N-AN
Options	WITH RAMP
Terminal No:	2144-BA-A1AA-197B
Term Matl:	PHOS BRONZE
Plating:	197 TIN
Dim C:	(3.68) / .145
Voids:	NONE
Hooks Cut:	NO
Packaging:	PK-41815-001 TRAY

Assy. Proc:	RIGHT ANGLE
Housing No:	41815-N-AN
Options	WITH RAMP
Terminal No:	2144-BA-A1AA-208B
Term Matl:	PHOS BRONZE
Plating:	208 – 15 GOLD
Dim C:	(3.68) / .145
Voids:	NONE
Hooks Cut:	NO
Packaging:	PK-41815-001 TRAY

Assy. Proc:	BOTTOM ENTRY
Housing No:	41815-N-AN
Options	WITH RAMP
Terminal No:	6298-1-197
Term Matl:	PHOS BRONZE
Plating:	197 – TIN
Dim C:	(3.18)/. 125
Voids:	NONE
Hooks Cut:	NO
Packaging:	PK-41815-001 TRAY

Assy. Proc:	BOTTOM ENTRY
Housing No:	41815-N-AN
Options	WITH RAMP
Terminal No:	6298-1-208
Term Matl:	PHOS BRONZE
Plating:	208 – 15 GOLD
Dim C:	(3.18)/. 125
Voids:	NONE
Hooks Cut:	NO
Packaging:	PK-41815-001 TRAY

Ckts	Material No	Engineer Number
2	09-48-1024	A-41815-0002
3	09-48-1034	A-41815-0003
4	09-48-1044	A-41815-0004
5	09-48-1054	A-41815-0005
6	09-48-1064	A-41815-0006
7	09-48-1074	A-41815-0007
8	09-48-1084	A-41815-0008
9	09-48-1094	A-41815-0009
10	09-48-1104	A-41815-0010
11	09-48-1114	A-41815-0011
12	09-48-1124	A-41815-0012
13	09-48-1134	A-41815-0013
14	09-48-1144	A-41815-0014
15	09-48-1154	A-41815-0015

Material No	Engineer Number
09-48-5024	A-41815-0016
09-48-5034	A-41815-0017
09-48-5044	A-41815-0018
09-48-5054	A-41815-0019
09-48-5064	A-41815-0020
09-48-5074	A-41815-0021
09-48-5084	A-41815-0022
09-48-5094	A-41815-0023
09-48-5104	A-41815-0024
09-48-5114	A-41815-0025
09-48-5124	A-41815-0026
09-48-5134	A-41815-0027
09-48-5144	A-41815-0028
09-48-5154	A-41815-0029

Material No	Engineer Number
09-48-4029	A-41815-0030
09-48-4039	A-41815-0031
09-48-4049	A-41815-0032
09-48-4059	A-41815-0033
09-48-4069	A-41815-0034
09-48-4079	A-41815-0035
09-48-4089	A-41815-0036
09-48-4099	A-41815-0037
09-48-4109	A-41815-0038
09-48-4119	A-41815-0039
09-48-4129	A-41815-0040
09-48-4139	A-41815-0041
09-48-4149	A-41815-0042
09-48-4159	A-41815-0043

Material No	Engineer Number
09-48-5026	A-41815-0044
09-48-5036	A-41815-0045
09-48-5046	A-41815-0046
09-48-5056	A-41815-0047
09-48-5066	A-41815-0048
09-48-5076	A-41815-0049
09-48-5086	A-41815-0050
09-48-5096	A-41815-0051
09-48-5106	A-41815-0052
09-48-5116	A-41815-0053
09-48-5126	A-41815-0054
09-48-5136	A-41815-0055
09-48-5146	A-41815-0056
09-48-5156	A-41815-0057

AN4	<u>REV:</u>		<u>ECR/ECN INFORMATION:</u>		<u>TITLE:</u>		<u>SHEET No.</u>
			<u>EC NO.</u>	121254	KK 156 HOUSING ASSY PCB		- 2 -
			<u>DATE:</u>	8/30/2017	41815 SERIES DWG		
<u>DOCUMENT NUMBER:</u>			<u>CREATED / REVISED BY:</u>		<u>CHECKED BY:</u>		<u>APPROVED BY:</u>
SDA-41815			SS06		SS06		ISHWARG



KK 156 PCB ASSY 2-15 CKT

41815 SERIES

	Assy. Proc:	TOP ENTRY	Assy. Proc:	TOP ENTRY	Assy. Proc:	BOTTOM ENTRY	Assy. Proc:	TOP ENTRY
	Housing No:	41815-N-AN	Housing No:	41815-N-AN	Housing No:	41815-N-AN	Housing No:	41815-N-AN
	Options	WITH RAMP	Options	WITH RAMP	Options	WITH RAMP	Options	WITH RAMP
	Terminal No:	2144-BA-A1AA-197B	Terminal No:	2144-BA-A1AA-208B	Terminal No:	2188-1-P909	Terminal No:	2144-AA-A1AA-P909B
	Term Matl:	PHOS BRONZE	Term Matl:	PHOS BRONZE	Term Matl:	BRASS	Term Matl:	BRASS
	Plating:	197 – TIN	Plating:	208 – 15 GOLD	Plating:	P909 – TIN	Plating:	P909 – TIN
	Dim C:	(3.05) / .120	Dim C:	(3.05) / .120	Dim C:	(3.18) / .125	Dim C:	(3.05) / .120
	Voids:	NONE	Voids:	NONE	Voids:	NONE	Voids:	NONE
	Hooks Cut:	NO	Hooks Cut:	NO	Hooks Cut:	NO	Hooks Cut:	YES
	Packaging:	PK-41815-001 TRAY	Packaging:	PK-41815-001 TRAY	Packaging:	PK-41815-001 TRAY	Packaging:	PK-41815-001 TRAY
Ckts	Material No	Engineer Number	Material No	Engineer Number	Material No	Engineer Number	Material No	Engineer Number
2	09-48-4028	A-41815-0058	09-48-5025	A-41815-0072	09-48-2022	A-41815-0100	09-48-2025	A-41815-0114
3	09-48-4038	A-41815-0059	09-48-5035	A-41815-0073	09-48-2032	A-41815-0101	09-48-2035	A-41815-0115
4	09-48-4048	A-41815-0060	09-48-5045	A-41815-0074	09-48-2042	A-41815-0102	09-48-2045	A-41815-0116
5	09-48-4058	A-41815-0061	09-48-5055	A-41815-0075	09-48-2052	A-41815-0103	09-48-2055	A-41815-0117
6	09-48-4068	A-41815-0062	09-48-5065	A-41815-0076	09-48-2062	A-41815-0104	09-48-2065	A-41815-0118
7	09-48-4078	A-41815-0063	09-48-5075	A-41815-0077	09-48-2072	A-41815-0105	09-48-2075	A-41815-0119
8	09-48-4088	A-41815-0064	09-48-5085	A-41815-0078	09-48-2082	A-41815-0106	09-48-2085	A-41815-0120
9	09-48-4098	A-41815-0065	09-48-5095	A-41815-0079	09-48-2092	A-41815-0107	09-48-2095	A-41815-0121
10	09-48-4108	A-41815-0066	09-48-5105	A-41815-0080	09-48-2102	A-41815-0108	09-48-2105	A-41815-0122
11	09-48-4118	A-41815-0067	09-48-5115	A-41815-0081	09-48-2112	A-41815-0109	09-48-2115	A-41815-0123
12	09-48-4128	A-41815-0068	09-48-5125	A-41815-0082	09-48-2122	A-41815-0110	09-48-2125	A-41815-0124
13	09-48-4138	A-41815-0069	09-48-5135	A-41815-0083	09-48-2132	A-41815-0111	09-48-2135	A-41815-0125
14	09-48-4148	A-41815-0070	09-48-5145	A-41815-0084	09-48-2142	A-41815-0112	09-48-2145	A-41815-0126
15	09-48-4158	A-41815-0071	09-48-5155	A-41815-0085	09-48-2152	A-41815-0113	09-48-2155	A-41815-0127

AN4	<u>REV:</u>		<u>ECR/ECN INFORMATION:</u>		KK 156 HOUSING ASSY PCB 41815 SERIES DWG			<u>SHEET No.</u>
			<u>EC NO.</u>	121254				- 3 -
			<u>DATE:</u>	8/30/2017				
<u>DOCUMENT NUMBER:</u>			<u>CREATED / REVISED BY:</u>		<u>CHECKED BY:</u>		<u>APPROVED BY:</u>	
SDA-41815			SS06		SS06		ISHWARG	



KK 156 PCB ASSY 2-15 CKT

41815 SERIES

Ckts	Assy. Proc:		Assy. Proc:		Assy. Proc:		Assy. Proc:	
	Material No	Engineer Number	Material No	Engineer Number	Material No	Engineer Number	Material No	Engineer Number
2			09-48-4021	A-41815-0170	41815-0184	A-41815-0184	09-48-2021	A-41815-0198
3			09-48-4031	A-41815-0171	09-48-5030	A-41815-0185	09-48-2031	A-41815-0199
4			09-48-4041	A-41815-0172	09-48-5040	A-41815-0186	09-48-2041	A-41815-0200
5			09-48-4051	A-41815-0173	09-48-5050	A-41815-0187	09-48-2051	A-41815-0201
6			09-48-4061	A-41815-0174	41815-0188	A-41815-0188	09-48-2061	A-41815-0202
7			09-48-4071	A-41815-0175	41815-0189	A-41815-0189	09-48-2071	A-41815-0203
8			09-48-4081	A-41815-0176	09-48-5080	A-41815-0190	09-48-2081	A-41815-0204
9			09-48-4091	A-41815-0177	41815-0191	A-41815-0191	09-48-2091	A-41815-0205
10			09-48-4101	A-41815-0178	09-48-5100	A-41815-0192	09-48-2101	A-41815-0206
11			09-48-4111	A-41815-0179	41815-0193	A-41815-0193	09-48-2111	A-41815-0207
12			09-48-4121	A-41815-0180	41815-0194	A-41815-0194	09-48-2121	A-41815-0208
13			09-48-4131	A-41815-0181	41815-0195	A-41815-0195	09-48-2131	A-41815-0209
14			09-48-4141	A-41815-0182	41815-0196	A-41815-0196	09-48-2141	A-41815-0210
15			09-48-4151	A-41815-0183	41815-0197	A-41815-0197	09-48-2151	A-41815-0211

REV: AN4	ECR/ECN INFORMATION:		TITLE: KK 156 HOUSING ASSY PCB 41815 SERIES DWG	SHEET No.
	EC NO.	121254		- 4 -
	DATE:	8/30/2017		
DOCUMENT NUMBER: SDA-41815		CREATED / REVISED BY: SS06	CHECKED BY: SS06	APPROVED BY: ISHWARG



KK 156 PCB ASSY 2-15 CKT

41815 SERIES

Assy. Proc:	TOP ENTRY
Housing No:	41815-N-AN
Options	WITH RAMP
Terminal No:	2144-AA-A1AA-P909B
Term Matl:	BRASS
Plating:	P909 – TIN
Dim C:	(3.05) / .120
Voids:	NONE
Hooks Cut:	NO
Packaging:	PK-41815-001 TRAY

Assy. Proc:	TOP ENTRY
Housing No:	41815-N-AN
Options	WITH RAMP
Terminal No:	2144-AA-A1AA-208B
Term Matl:	BRASS
Plating:	208 – 15 GOLD
Dim C:	(3.05) / .120
Voids:	NONE
Hooks Cut:	NO
Packaging:	PK-41815-001 TRAY

Assy. Proc:	RIGHT ANGLE
Housing No:	41815-N-AN
Options	WITH RAMP
Terminal No:	2144-BA-A1AA-P909B
Term Matl:	PHOS BRONZE
Plating:	P909 – TIN
Dim C:	(3.68) / .145
Voids:	NONE
Hooks Cut:	NO
Packaging:	PK-41815-001 TRAY

Assy. Proc:	BOTTOM ENTRY
Housing No:	41815-N-AN
Options	WITH RAMP
Terminal No:	6298-1-P909
Term Matl:	PHOS BRONZE
Plating:	P909 – TIN
Dim C:	(3.18) / .125
Voids:	NONE
Hooks Cut:	NO
Packaging:	PK-41815-001 TRAY

Ckts	Material No	Engineer Number
2	09-48-2023	A-41815-0453
3	09-48-2033	A-41815-0454
4	09-48-2043	A-41815-0455
5	09-48-2053	A-41815-0456
6	09-48-2063	A-41815-0457
7	09-48-2073	A-41815-0458
8	09-48-2083	A-41815-0459
9	09-48-2093	A-41815-0460
10	09-48-2103	A-41815-0461
11	09-48-2113	A-41815-0462
12	09-48-2123	A-41815-0463
13	09-48-2133	A-41815-0464
14	09-48-2143	A-41815-0465
15	09-48-2153	A-41815-0466

Material No	Engineer Number
09-48-3026	A-41815-0467
09-48-3036	A-41815-0468
09-48-3046	A-41815-0469
09-48-3056	A-41815-0470
09-48-3066	A-41815-0471
09-48-3076	A-41815-0472
09-48-3086	A-41815-0473
09-48-3096	A-41815-0474
09-48-3106	A-41815-0475
09-48-3116	A-41815-0476
09-48-3126	A-41815-0477
09-48-3136	A-41815-0478
09-48-3146	A-41815-0479
09-48-3156	A-41815-0480

Material No	Engineer Number
09-48-2020	A-41815-0481
09-48-2030	A-41815-0482
09-48-2040	A-41815-0483
09-48-2050	A-41815-0484
09-48-2060	A-41815-0485
09-48-2070	A-41815-0486
09-48-2080	A-41815-0487
09-48-2090	A-41815-0488
09-48-2100	A-41815-0489
09-48-2110	A-41815-0490
09-48-2120	A-41815-0491
09-48-2130	A-41815-0492
09-48-2140	A-41815-0493
09-48-2150	A-41815-0494

Material No	Engineer Number
09-48-2029	A-41815-0495
09-48-2039	A-41815-0496
09-48-2049	A-41815-0497
09-48-2059	A-41815-0498
09-48-2069	A-41815-0499
09-48-2079	A-41815-0500
09-48-2089	A-41815-0501
09-48-2099	A-41815-0502
09-48-2109	A-41815-0503
09-48-2119	A-41815-0504
09-48-2129	A-41815-0505
09-48-2139	A-41815-0506
09-48-2149	A-41815-0507
09-48-2159	A-41815-0508

REV: AN4	ECR/ECN INFORMATION:		TITLE: KK 156 HOUSING ASSY PCB 41815 SERIES DWG	<u>SHEET No.</u>
	EC NO.	121254		- 7 -
	DATE:	8/30/2017		
DOCUMENT NUMBER: SDA-41815		<u>CREATED / REVISED BY:</u> SS06	<u>CHECKED BY:</u> SS06	<u>APPROVED BY:</u> ISHWARG



KK 156 PCB ASSY 2-15 CKT

41815 SERIES

		<table border="1" style="width: 100%; border-collapse: collapse;"> <tr><td>Assy. Proc:</td><td>TOP ENTRY</td></tr> <tr><td>Housing No:</td><td>41815-N-AN</td></tr> <tr><td>Options</td><td>WITH RAMP</td></tr> <tr><td>Terminal No:</td><td>2144-BA-A1AA-P909B</td></tr> <tr><td>Term Matl:</td><td>PHOS BRONZE</td></tr> <tr><td>Plating:</td><td>P909 – TIN</td></tr> <tr><td>Dim C:</td><td>(3.05) / .120</td></tr> <tr><td>Voids:</td><td>NONE</td></tr> <tr><td>Hooks Cut:</td><td>NO</td></tr> <tr><td>Packaging:</td><td>PK-41815-001 TRAY</td></tr> <tr><td> </td><td> </td></tr> <tr><td>Material No</td><td>Engineer Number</td></tr> <tr><td>09-48-2028</td><td>A-41815-0509</td></tr> <tr><td>09-48-2038</td><td>A-41815-0510</td></tr> <tr><td>09-48-2048</td><td>A-41815-0511</td></tr> <tr><td>09-48-2058</td><td>A-41815-0512</td></tr> <tr><td>09-48-2068</td><td>A-41815-0513</td></tr> <tr><td>09-48-2078</td><td>A-41815-0514</td></tr> <tr><td>09-48-2088</td><td>A-41815-0515</td></tr> <tr><td>09-48-2098</td><td>A-41815-0516</td></tr> <tr><td>09-48-2108</td><td>A-41815-0517</td></tr> <tr><td>09-48-2118</td><td>A-41815-0518</td></tr> <tr><td>09-48-2128</td><td>A-41815-0519</td></tr> <tr><td>09-48-2138</td><td>A-41815-0520</td></tr> <tr><td>09-48-2148</td><td>A-41815-0521</td></tr> <tr><td>09-48-2158</td><td>A-41815-0522</td></tr> </table>	Assy. Proc:	TOP ENTRY	Housing No:	41815-N-AN	Options	WITH RAMP	Terminal No:	2144-BA-A1AA-P909B	Term Matl:	PHOS BRONZE	Plating:	P909 – TIN	Dim C:	(3.05) / .120	Voids:	NONE	Hooks Cut:	NO	Packaging:	PK-41815-001 TRAY			Material No	Engineer Number	09-48-2028	A-41815-0509	09-48-2038	A-41815-0510	09-48-2048	A-41815-0511	09-48-2058	A-41815-0512	09-48-2068	A-41815-0513	09-48-2078	A-41815-0514	09-48-2088	A-41815-0515	09-48-2098	A-41815-0516	09-48-2108	A-41815-0517	09-48-2118	A-41815-0518	09-48-2128	A-41815-0519	09-48-2138	A-41815-0520	09-48-2148	A-41815-0521	09-48-2158	A-41815-0522	<table border="1" style="width: 100%; border-collapse: collapse;"> <tr><td>Assy. Proc:</td><td>TOP ENTRY</td></tr> <tr><td>Housing No:</td><td>41815-N-AN</td></tr> <tr><td>Options</td><td>WITH RAMP</td></tr> <tr><td>Terminal No:</td><td>2144-BA-A1AA-197B</td></tr> <tr><td>Term Matl:</td><td>PHOS BRONZE</td></tr> <tr><td>Plating:</td><td>197 – TIN</td></tr> <tr><td>Dim C:</td><td>(3.05) / .120</td></tr> <tr><td>Voids:</td><td>NONE</td></tr> <tr><td>Hooks Cut:</td><td>YES</td></tr> <tr><td>Packaging:</td><td>PK-41815-001 TRAY</td></tr> <tr><td> </td><td> </td></tr> <tr><td>Material No</td><td>Engineer Number</td></tr> <tr><td>09-48-5028</td><td>A-41815-0523</td></tr> <tr><td>09-48-5038</td><td>A-41815-0524</td></tr> <tr><td>09-48-5048</td><td>A-41815-0525</td></tr> <tr><td>09-48-5058</td><td>A-41815-0526</td></tr> <tr><td>09-48-5068</td><td>A-41815-0527</td></tr> <tr><td>09-48-5078</td><td>A-41815-0528</td></tr> <tr><td>09-48-5088</td><td>A-41815-0529</td></tr> <tr><td>09-48-5098</td><td>A-41815-0530</td></tr> <tr><td>09-48-5108</td><td>A-41815-0531</td></tr> <tr><td>09-48-5118</td><td>A-41815-0532</td></tr> <tr><td>09-48-5128</td><td>A-41815-0533</td></tr> <tr><td>09-48-5138</td><td>A-41815-0534</td></tr> <tr><td>09-48-5148</td><td>A-41815-0535</td></tr> <tr><td>09-48-5158</td><td>A-41815-0536</td></tr> </table>	Assy. Proc:	TOP ENTRY	Housing No:	41815-N-AN	Options	WITH RAMP	Terminal No:	2144-BA-A1AA-197B	Term Matl:	PHOS BRONZE	Plating:	197 – TIN	Dim C:	(3.05) / .120	Voids:	NONE	Hooks Cut:	YES	Packaging:	PK-41815-001 TRAY			Material No	Engineer Number	09-48-5028	A-41815-0523	09-48-5038	A-41815-0524	09-48-5048	A-41815-0525	09-48-5058	A-41815-0526	09-48-5068	A-41815-0527	09-48-5078	A-41815-0528	09-48-5088	A-41815-0529	09-48-5098	A-41815-0530	09-48-5108	A-41815-0531	09-48-5118	A-41815-0532	09-48-5128	A-41815-0533	09-48-5138	A-41815-0534	09-48-5148	A-41815-0535	09-48-5158	A-41815-0536	<table border="1" style="width: 100%; border-collapse: collapse;"> <tr><td>Assy. Proc:</td><td>TOP ENTRY</td></tr> <tr><td>Housing No:</td><td>41815-N-AN</td></tr> <tr><td>Options</td><td>WITH RAMP</td></tr> <tr><td>Terminal No:</td><td>2144-BA-A1AA-208B</td></tr> <tr><td>Term Matl:</td><td>PHOS BRONZE</td></tr> <tr><td>Plating:</td><td>208 – 15 GOLD</td></tr> <tr><td>Dim C:</td><td>(3.05) / .120</td></tr> <tr><td>Voids:</td><td>NONE</td></tr> <tr><td>Hooks Cut:</td><td>YES</td></tr> <tr><td>Packaging:</td><td>PK-41815-001 TRAY</td></tr> <tr><td> </td><td> </td></tr> <tr><td>Material No</td><td>Engineer Number</td></tr> <tr><td>09-48-1025</td><td>A-41815-0537</td></tr> <tr><td>09-48-1035</td><td>A-41815-0538</td></tr> <tr><td>09-48-1045</td><td>A-41815-0539</td></tr> <tr><td>09-48-1055</td><td>A-41815-0540</td></tr> <tr><td>09-48-1065</td><td>A-41815-0541</td></tr> <tr><td>09-48-1075</td><td>A-41815-0542</td></tr> <tr><td>09-48-1085</td><td>A-41815-0543</td></tr> <tr><td>09-48-1095</td><td>A-41815-0544</td></tr> <tr><td>09-48-1105</td><td>A-41815-0545</td></tr> <tr><td>09-48-1115</td><td>A-41815-0546</td></tr> <tr><td>09-48-1125</td><td>A-41815-0547</td></tr> <tr><td>09-48-1135</td><td>A-41815-0548</td></tr> <tr><td>09-48-1145</td><td>A-41815-0549</td></tr> <tr><td>09-48-1155</td><td>A-41815-0550</td></tr> </table>	Assy. Proc:	TOP ENTRY	Housing No:	41815-N-AN	Options	WITH RAMP	Terminal No:	2144-BA-A1AA-208B	Term Matl:	PHOS BRONZE	Plating:	208 – 15 GOLD	Dim C:	(3.05) / .120	Voids:	NONE	Hooks Cut:	YES	Packaging:	PK-41815-001 TRAY			Material No	Engineer Number	09-48-1025	A-41815-0537	09-48-1035	A-41815-0538	09-48-1045	A-41815-0539	09-48-1055	A-41815-0540	09-48-1065	A-41815-0541	09-48-1075	A-41815-0542	09-48-1085	A-41815-0543	09-48-1095	A-41815-0544	09-48-1105	A-41815-0545	09-48-1115	A-41815-0546	09-48-1125	A-41815-0547	09-48-1135	A-41815-0548	09-48-1145	A-41815-0549	09-48-1155	A-41815-0550	<table border="1" style="width: 100%; border-collapse: collapse;"> <tr><td>Assy. Proc:</td><td>BOTTOM ENTRY</td></tr> <tr><td>Housing No:</td><td>41815-N-AN</td></tr> <tr><td>Options</td><td>WITH RAMP</td></tr> <tr><td>Terminal No:</td><td>2188-1-208</td></tr> <tr><td>Term Matl:</td><td>BRASS</td></tr> <tr><td>Plating:</td><td>208 – 15 GOLD</td></tr> <tr><td>Dim C:</td><td>(3.18) / .125</td></tr> <tr><td>Voids:</td><td>TERMINAL VOID 2</td></tr> <tr><td>Hooks Cut:</td><td>NO</td></tr> <tr><td>Packaging:</td><td>PK-41815-001 TRAY</td></tr> <tr><td> </td><td> </td></tr> <tr><td>Material No</td><td>Engineer Number</td></tr> <tr><td> </td><td> </td></tr> <tr><td>41815-0551</td><td>41815-0551</td></tr> <tr><td>41815-0552</td><td>41815-0552</td></tr> <tr><td>41815-0553</td><td>41815-0553</td></tr> <tr><td>41815-0554</td><td>41815-0554</td></tr> <tr><td>41815-0555</td><td>41815-0555</td></tr> <tr><td>41815-0556</td><td>41815-0556</td></tr> <tr><td>41815-0557</td><td>41815-0557</td></tr> <tr><td>41815-0558</td><td>41815-0558</td></tr> <tr><td>41815-0559</td><td>41815-0559</td></tr> <tr><td>41815-0560</td><td>41815-0560</td></tr> <tr><td>41815-0561</td><td>41815-0561</td></tr> <tr><td>41815-0562</td><td>41815-0562</td></tr> <tr><td>41815-0563</td><td>41815-0563</td></tr> </table>	Assy. Proc:	BOTTOM ENTRY	Housing No:	41815-N-AN	Options	WITH RAMP	Terminal No:	2188-1-208	Term Matl:	BRASS	Plating:	208 – 15 GOLD	Dim C:	(3.18) / .125	Voids:	TERMINAL VOID 2	Hooks Cut:	NO	Packaging:	PK-41815-001 TRAY			Material No	Engineer Number			41815-0551	41815-0551	41815-0552	41815-0552	41815-0553	41815-0553	41815-0554	41815-0554	41815-0555	41815-0555	41815-0556	41815-0556	41815-0557	41815-0557	41815-0558	41815-0558	41815-0559	41815-0559	41815-0560	41815-0560	41815-0561	41815-0561	41815-0562	41815-0562	41815-0563	41815-0563
Assy. Proc:	TOP ENTRY																																																																																																																																																																																																																				
Housing No:	41815-N-AN																																																																																																																																																																																																																				
Options	WITH RAMP																																																																																																																																																																																																																				
Terminal No:	2144-BA-A1AA-P909B																																																																																																																																																																																																																				
Term Matl:	PHOS BRONZE																																																																																																																																																																																																																				
Plating:	P909 – TIN																																																																																																																																																																																																																				
Dim C:	(3.05) / .120																																																																																																																																																																																																																				
Voids:	NONE																																																																																																																																																																																																																				
Hooks Cut:	NO																																																																																																																																																																																																																				
Packaging:	PK-41815-001 TRAY																																																																																																																																																																																																																				
Material No	Engineer Number																																																																																																																																																																																																																				
09-48-2028	A-41815-0509																																																																																																																																																																																																																				
09-48-2038	A-41815-0510																																																																																																																																																																																																																				
09-48-2048	A-41815-0511																																																																																																																																																																																																																				
09-48-2058	A-41815-0512																																																																																																																																																																																																																				
09-48-2068	A-41815-0513																																																																																																																																																																																																																				
09-48-2078	A-41815-0514																																																																																																																																																																																																																				
09-48-2088	A-41815-0515																																																																																																																																																																																																																				
09-48-2098	A-41815-0516																																																																																																																																																																																																																				
09-48-2108	A-41815-0517																																																																																																																																																																																																																				
09-48-2118	A-41815-0518																																																																																																																																																																																																																				
09-48-2128	A-41815-0519																																																																																																																																																																																																																				
09-48-2138	A-41815-0520																																																																																																																																																																																																																				
09-48-2148	A-41815-0521																																																																																																																																																																																																																				
09-48-2158	A-41815-0522																																																																																																																																																																																																																				
Assy. Proc:	TOP ENTRY																																																																																																																																																																																																																				
Housing No:	41815-N-AN																																																																																																																																																																																																																				
Options	WITH RAMP																																																																																																																																																																																																																				
Terminal No:	2144-BA-A1AA-197B																																																																																																																																																																																																																				
Term Matl:	PHOS BRONZE																																																																																																																																																																																																																				
Plating:	197 – TIN																																																																																																																																																																																																																				
Dim C:	(3.05) / .120																																																																																																																																																																																																																				
Voids:	NONE																																																																																																																																																																																																																				
Hooks Cut:	YES																																																																																																																																																																																																																				
Packaging:	PK-41815-001 TRAY																																																																																																																																																																																																																				
Material No	Engineer Number																																																																																																																																																																																																																				
09-48-5028	A-41815-0523																																																																																																																																																																																																																				
09-48-5038	A-41815-0524																																																																																																																																																																																																																				
09-48-5048	A-41815-0525																																																																																																																																																																																																																				
09-48-5058	A-41815-0526																																																																																																																																																																																																																				
09-48-5068	A-41815-0527																																																																																																																																																																																																																				
09-48-5078	A-41815-0528																																																																																																																																																																																																																				
09-48-5088	A-41815-0529																																																																																																																																																																																																																				
09-48-5098	A-41815-0530																																																																																																																																																																																																																				
09-48-5108	A-41815-0531																																																																																																																																																																																																																				
09-48-5118	A-41815-0532																																																																																																																																																																																																																				
09-48-5128	A-41815-0533																																																																																																																																																																																																																				
09-48-5138	A-41815-0534																																																																																																																																																																																																																				
09-48-5148	A-41815-0535																																																																																																																																																																																																																				
09-48-5158	A-41815-0536																																																																																																																																																																																																																				
Assy. Proc:	TOP ENTRY																																																																																																																																																																																																																				
Housing No:	41815-N-AN																																																																																																																																																																																																																				
Options	WITH RAMP																																																																																																																																																																																																																				
Terminal No:	2144-BA-A1AA-208B																																																																																																																																																																																																																				
Term Matl:	PHOS BRONZE																																																																																																																																																																																																																				
Plating:	208 – 15 GOLD																																																																																																																																																																																																																				
Dim C:	(3.05) / .120																																																																																																																																																																																																																				
Voids:	NONE																																																																																																																																																																																																																				
Hooks Cut:	YES																																																																																																																																																																																																																				
Packaging:	PK-41815-001 TRAY																																																																																																																																																																																																																				
Material No	Engineer Number																																																																																																																																																																																																																				
09-48-1025	A-41815-0537																																																																																																																																																																																																																				
09-48-1035	A-41815-0538																																																																																																																																																																																																																				
09-48-1045	A-41815-0539																																																																																																																																																																																																																				
09-48-1055	A-41815-0540																																																																																																																																																																																																																				
09-48-1065	A-41815-0541																																																																																																																																																																																																																				
09-48-1075	A-41815-0542																																																																																																																																																																																																																				
09-48-1085	A-41815-0543																																																																																																																																																																																																																				
09-48-1095	A-41815-0544																																																																																																																																																																																																																				
09-48-1105	A-41815-0545																																																																																																																																																																																																																				
09-48-1115	A-41815-0546																																																																																																																																																																																																																				
09-48-1125	A-41815-0547																																																																																																																																																																																																																				
09-48-1135	A-41815-0548																																																																																																																																																																																																																				
09-48-1145	A-41815-0549																																																																																																																																																																																																																				
09-48-1155	A-41815-0550																																																																																																																																																																																																																				
Assy. Proc:	BOTTOM ENTRY																																																																																																																																																																																																																				
Housing No:	41815-N-AN																																																																																																																																																																																																																				
Options	WITH RAMP																																																																																																																																																																																																																				
Terminal No:	2188-1-208																																																																																																																																																																																																																				
Term Matl:	BRASS																																																																																																																																																																																																																				
Plating:	208 – 15 GOLD																																																																																																																																																																																																																				
Dim C:	(3.18) / .125																																																																																																																																																																																																																				
Voids:	TERMINAL VOID 2																																																																																																																																																																																																																				
Hooks Cut:	NO																																																																																																																																																																																																																				
Packaging:	PK-41815-001 TRAY																																																																																																																																																																																																																				
Material No	Engineer Number																																																																																																																																																																																																																				
41815-0551	41815-0551																																																																																																																																																																																																																				
41815-0552	41815-0552																																																																																																																																																																																																																				
41815-0553	41815-0553																																																																																																																																																																																																																				
41815-0554	41815-0554																																																																																																																																																																																																																				
41815-0555	41815-0555																																																																																																																																																																																																																				
41815-0556	41815-0556																																																																																																																																																																																																																				
41815-0557	41815-0557																																																																																																																																																																																																																				
41815-0558	41815-0558																																																																																																																																																																																																																				
41815-0559	41815-0559																																																																																																																																																																																																																				
41815-0560	41815-0560																																																																																																																																																																																																																				
41815-0561	41815-0561																																																																																																																																																																																																																				
41815-0562	41815-0562																																																																																																																																																																																																																				
41815-0563	41815-0563																																																																																																																																																																																																																				
Ckts																																																																																																																																																																																																																					
2																																																																																																																																																																																																																					
3																																																																																																																																																																																																																					
4																																																																																																																																																																																																																					
5																																																																																																																																																																																																																					
6																																																																																																																																																																																																																					
7																																																																																																																																																																																																																					
8																																																																																																																																																																																																																					
9																																																																																																																																																																																																																					
10																																																																																																																																																																																																																					
11																																																																																																																																																																																																																					
12																																																																																																																																																																																																																					
13																																																																																																																																																																																																																					
14																																																																																																																																																																																																																					
15																																																																																																																																																																																																																					

REV:	ECR/ECN INFORMATION:	TITLE:	SHEET No.
AN4	EC NO. 121254	KK 156 HOUSING ASSY PCB 41815 SERIES DWG	- 8 -
	DATE: 8/30/2017		
DOCUMENT NUMBER:	CREATED / REVISED BY:	CHECKED BY:	APPROVED BY:
SDA-41815	SS06	SS06	ISHWARG



KK 156 PCB ASSY 2-15 CKT

41815 SERIES

	Assy. Proc:	BOTTOM ENTRY	Assy. Proc:	BOTTOM ENTRY	Assy. Proc:	RIGHT ANGLE	Assy. Proc:	TOP ENTRY
	Housing No:	41815-N-DN	Housing No:	41815-N-DN	Housing No:	41815-N-A15-7	Housing No:	41815-N-DN
	Options	WITHOUT RAMPS	Options	WITHOUT RAMPS	Options	WITH RAMP	Options	WITHOUT RAMP
	Terminal No:	6298-1-197	Terminal No:	6298-1-197	Terminal No:	2144-BA-A1AA-197B	Terminal No:	2144-BA-A1AA-197B
	Term Matl:	PHOS BRONZE	Term Matl:	PHOS BRONZE	Term Matl:	PHOS BRONZE	Term Matl:	PHOS BRONZE
	Plating:	197 – TIN	Plating:	197 – TIN	Plating:	197 – TIN	Plating:	197 – TIN
	Dim C:	3.18 / .125	Dim C:	3.18 / .125	Dim C:	(3.68) / .145	Dim C:	(3.05)/.120
	Voids:	NONE	Voids:	TERMINAL VOID 2	Voids:	TERMINAL VOID 7	Voids:	NONE
	Hooks Cut:	NO	Hooks Cut:	NO	Hooks Cut:	NO	Hooks Cut:	YES
	Packaging:	PK-41815-001 TRAY	Packaging:	PK-41815-001 TRAY	Packaging:	PK-41815-001 TRAY	Packaging:	PK-41815-001 TRAY
Ckts	Material No	Engineer Number	Material No	Engineer Number	Material No	Engineer Number	Material No	Engineer Number
2	41815-0564	A-41815-0564					41815-0601	A-41815-0601
3	41815-0565	A-41815-0565	41815-0579	A-41815-0579			41815-0602	A-41815-0602
4	41815-0566	A-41815-0566	41815-0580	A-41815-0580				
5	41815-0567	A-41815-0567	41815-0581	A-41815-0581				
6	41815-0568	A-41815-0568	41815-0582	A-41815-0582			41815-0605	A-41815-0605
7	41815-0569	A-41815-0569	41815-0583	A-41815-0583				
8	41815-0570	A-41815-0570	41815-0584	A-41815-0584				
9	41815-0571	A-41815-0571	41815-0585	A-41815-0585				
10	41815-0572	A-41815-0572	41815-0586	A-41815-0586				
11	41815-0573	A-41815-0573	41815-0587	A-41815-0587				
12	41815-0574	A-41815-0574	41815-0588	A-41815-0588				
13	41815-0575	A-41815-0575	41815-0589	A-41815-0589				
14	41815-0576	A-41815-0576	41815-0590	A-41815-0590				
15	41815-0577	A-41815-0577	41815-0591	A-41815-0591	41815-0600	A-41815-0600		

REV:	ECR/ECN INFORMATION:	TITLE:	SHEET No.
AN4	EC NO. 121254	KK 156 HOUSING ASSY PCB 41815 SERIES DWG	- 9 -
	DATE: 8/30/2017		
DOCUMENT NUMBER:		CREATED / REVISED BY:	CHECKED BY:
SDA-41815		SS06	SS06
		APPROVED BY:	
		ISHWARG	



KK 156 PCB ASSY 2-15 CKT

41815 SERIES

	Assy. Proc:	RIGHT ANGLE	Assy. Proc:	TOP ENTRY	Assy. Proc:	RIGHT ANGLE	Assy. Proc:	BOTTOM ENTRY
	Housing No:	41815-N-DN	Housing No:	41815-N-DN	Housing No:	41815-N-AN	Housing No:	41815-N-DN
	Options	WITHOUT RAMP	Options	WITHOUT RAMP	Options	WITH RAMP	Options	WITHOUT RAMP
	Terminal No:	2144-BA-A1AA-197B	Terminal No:	2144-AA-A1AA-P909B	Terminal No:	2144-BA-A1AA-197B	Terminal No:	6298-197
	Term Matl:	PHOS BRONZE	Term Matl:	BRASS	Term Matl:	PHOS BRONZE	Term Matl:	PHOS BRONZE
	Plating:	197 – TIN	Plating:	P909 – TIN	Plating:	197 TIN	Plating:	197 – TIN
	Dim C:	(3.68) / .145	Dim C:	(3.05) / .120	Dim C:	(3.68) / .145	Dim C:	(4.06) / .160
	Voids:	NONE	Voids:	NONE	Voids:	TERMINAL VOID 2, 4	Voids:	NONE
	Hooks Cut:	NO	Hooks Cut:	YES	Hooks Cut:	NO	Hooks Cut:	YES
	Packaging:	PK-41815-001 TRAY	Packaging:	PK-41815-001 TRAY	Packaging:	PK-41815-001 TRAY	Packaging:	PK-41815-001 TRAY
Ckts	Material No	Engineer Number	Material No	Engineer Number	Material No	Engineer Number	Material No	Engineer Number
2	41815-0630	A-41815-0630					41815-0672	A-41815-0672
3	41815-0631	A-41815-0631						
4	41815-0632	A-41815-0632	41815-0646	A-41815-0646			41815-0674	A-41815-0674
5	41815-0633	A-41815-0633			41815-0661	A-41815-0661		
6	41815-0634	A-41815-0634						
7	41815-0635	A-41815-0635						
8	41815-0636	A-41815-0636						
9	41815-0637	A-41815-0637						
10	41815-0638	A-41815-0638						
11	41815-0639	A-41815-0639						
12	41815-0640	A-41815-0640						
13	41815-0641	A-41815-0641						
14	41815-0642	A-41815-0642						
15	41815-0643	A-41815-0643						

REV:	ECR/ECN INFORMATION:	TITLE:	SHEET No.
AN4	EC NO. 121254	KK 156 HOUSING ASSY PCB 41815 SERIES DWG	- 10 -
	DATE: 8/30/2017		
DOCUMENT NUMBER:	CREATED / REVISED BY:	CHECKED BY:	APPROVED BY:
SDA-41815	SS06	SS06	ISHWARG



KK 156 PCB ASSY 2-15 CKT

41815 SERIES

	Assy. Proc:	RIGHT ANGLE	Assy. Proc:	Assy. Proc:	Assy. Proc:
	Housing No:	41815-N-AN	Housing No:	Housing No:	Housing No:
	Options	WITH RAMP	Options	Options	Options
	Terminal No:	2144-BA-A1AA-197B	Terminal No:	Terminal No:	Terminal No:
	Term Matl:	PHOS BRONZE	Term Matl:	Term Matl:	Term Matl:
	Plating:	197 TIN	Plating:	Plating:	Plating:
	Dim C:	(3.68) / .145	Dim C:	Dim C:	Dim C:
	Voids:	TERMINAL VOID 2	Voids:	Voids:	Voids:
	Hooks Cut:	NO	Hooks Cut:	Hooks Cut:	Hooks Cut:
	Packaging:	PK-41815-001 TRAY	Packaging:	Packaging:	Packaging:
Ckts	Material No	Engineer Number	Material No	Material No	Material No
2					
3	41815-0687	A-41815-0687			
4					
5					
6					
7					
8					
9					
10					
11					
12					
13					
14					
15					

AN4	ECR/ECN INFORMATION:		KK 156 HOUSING ASSY PCB 41815 SERIES DWG	SHEET No.
	EC NO.	121254		- 11 -
	DATE:	8/30/2017		
DOCUMENT NUMBER: SDA-41815		CREATED / REVISED BY: SS06	CHECKED BY: SS06	APPROVED BY: ISHWARG

Mouser Electronics

Authorized Distributor

Click to View Pricing, Inventory, Delivery & Lifecycle Information:

[Molex:](#)

[09-48-2148](#)