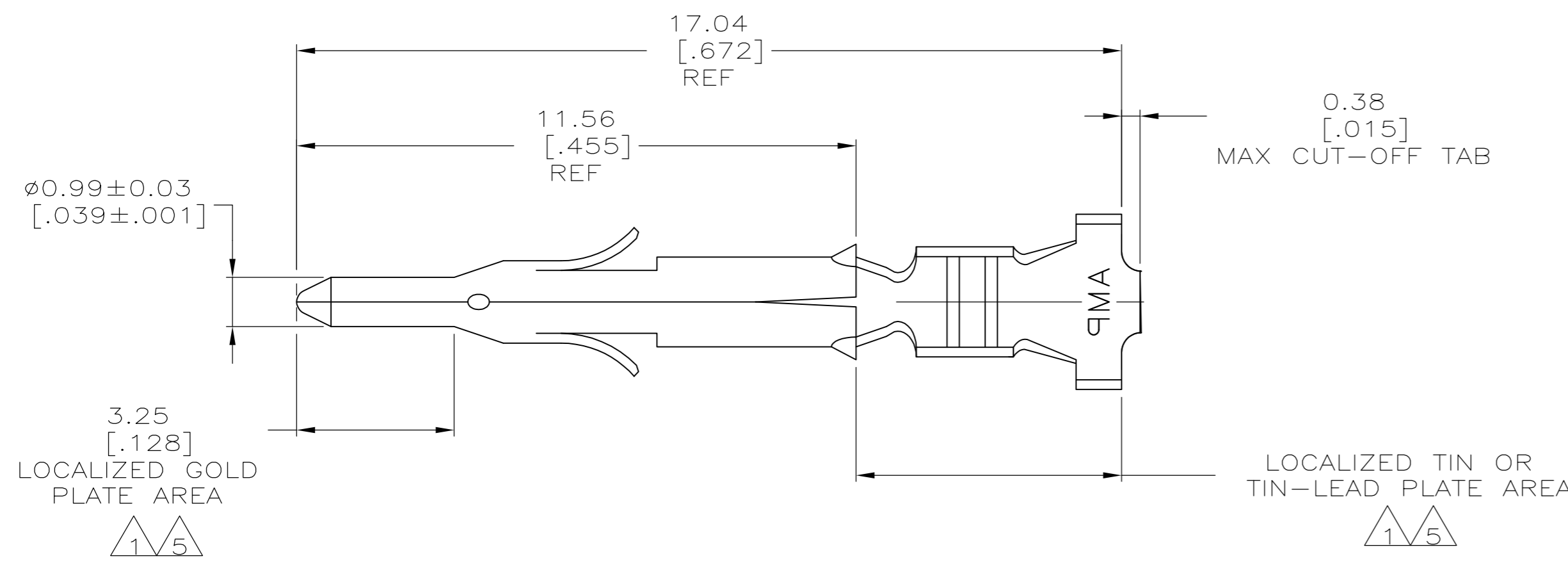
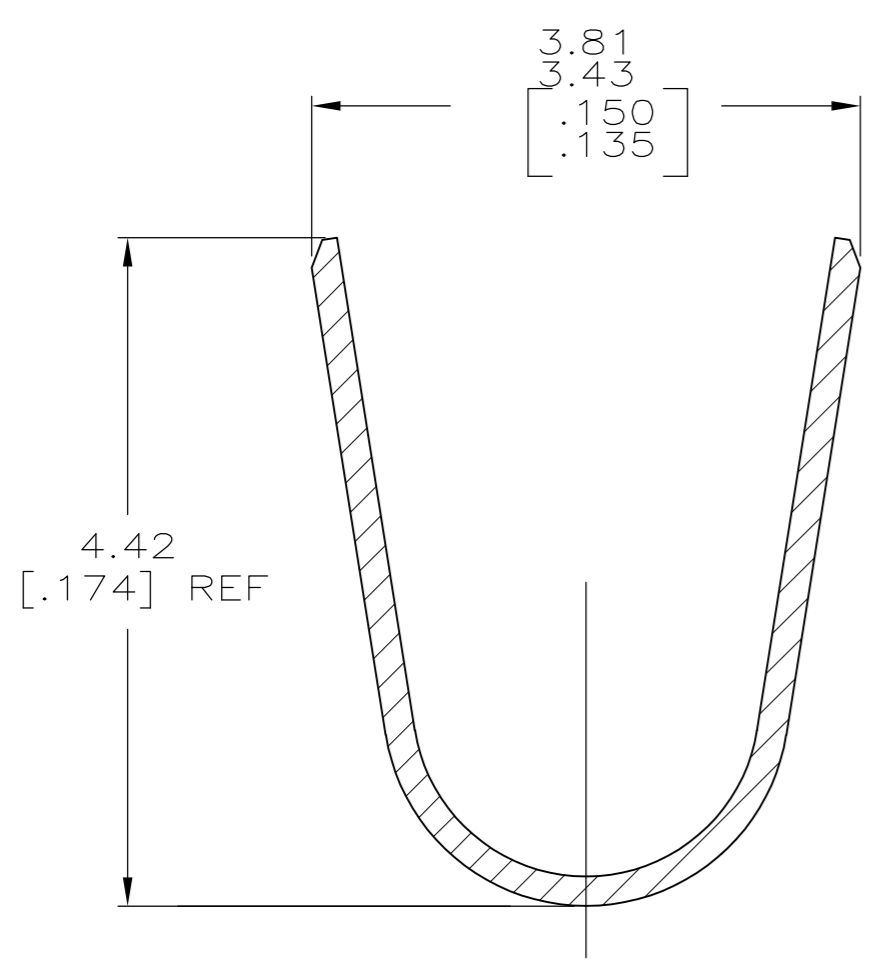
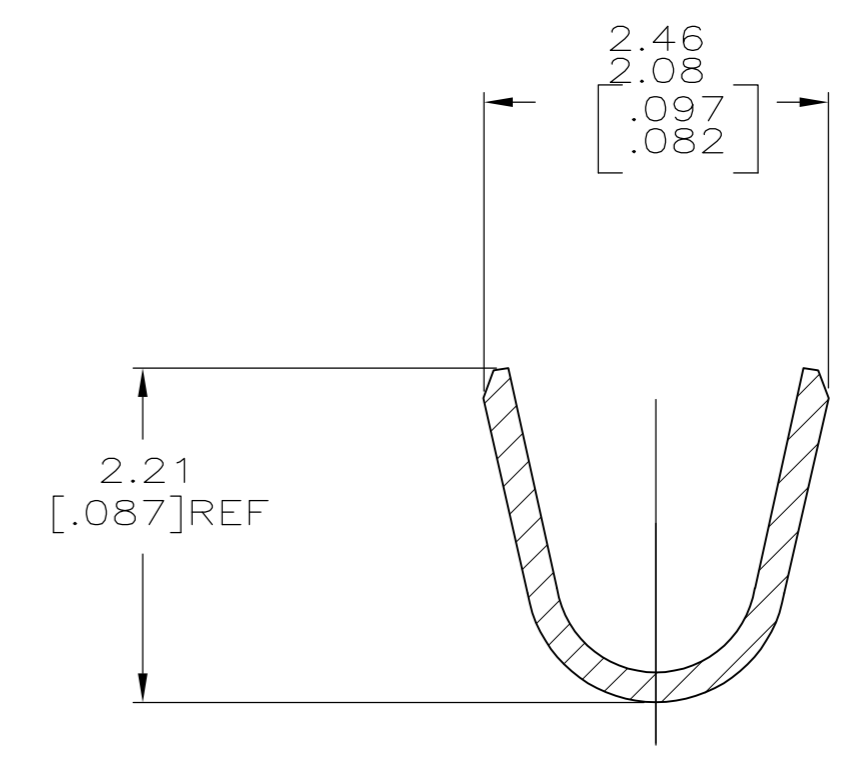
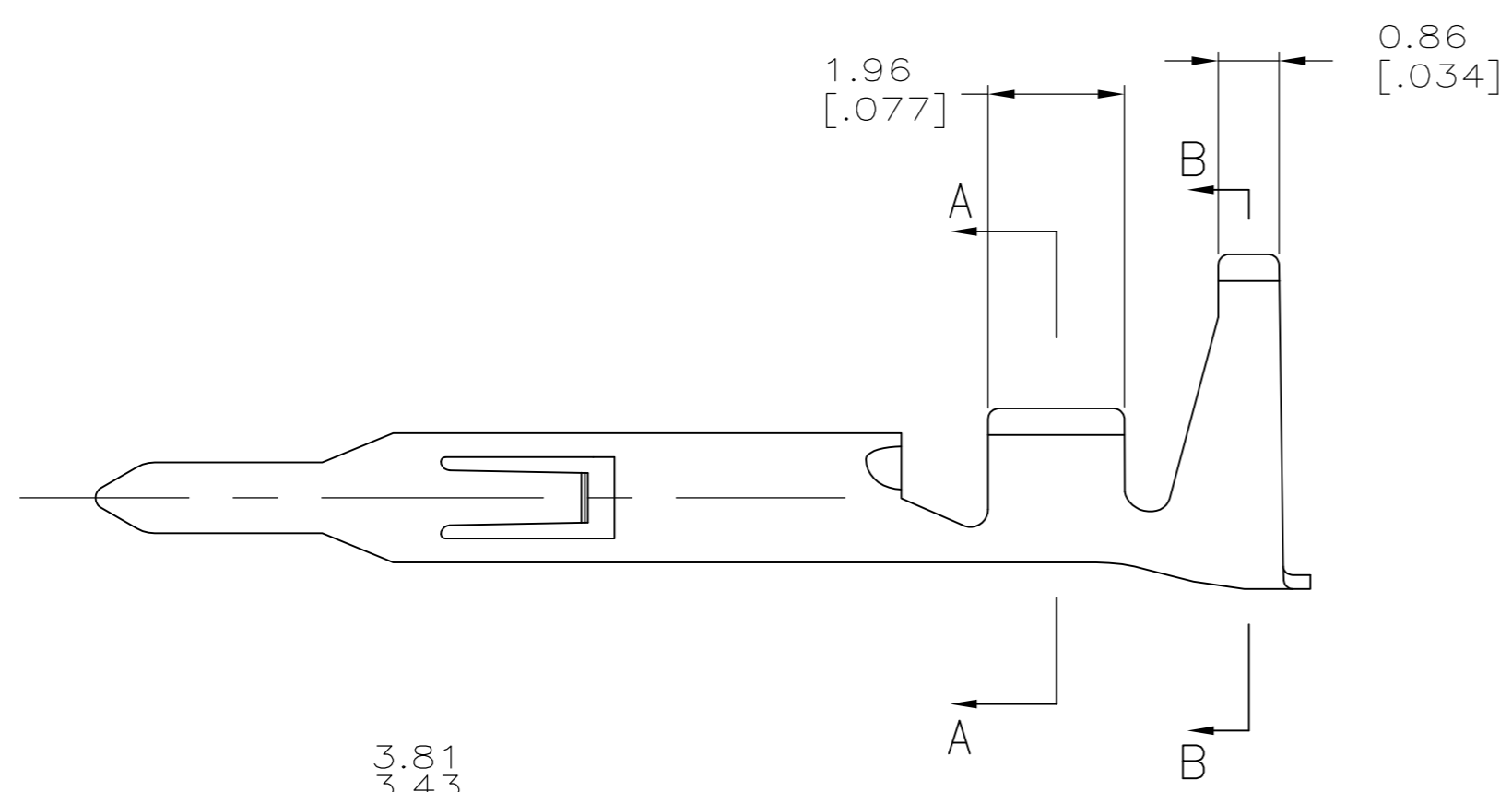


THIS DRAWING IS UNPUBLISHED. RELEASED FOR PUBLICATION
 © COPYRIGHT - By - ALL RIGHTS RESERVED.

LOC	DIST	REVISIONS			
P	LTR	DESCRIPTION	DATE	DWN	APVD
CM	00	H	ECO-13-000901	08MAR2013	MGT R.P



- 1 0.00076 [.000030] MIN GOLD IN LOCALIZED GOLD PLATE AREA AND 0.00254 [.000100] MIN BRIGHT TIN-LEAD IN LOCALIZED TIN-LEAD PLATE AREA OVER 0.0013 [.000050] MIN NICKEL.
- 2 WIRE RANGE: 0.3 - 0.9mm² (22-18 AWG).
- 3 INSULATION RANGE: 1.50-2.40 [.060-.094] DIA.
- 4 DIMENSIONS IN BRACKETS ARE IN INCHES.
- 5 0.00076 [.000030] MIN GOLD IN LOCALIZED GOLD PLATE AREA AND 0.00254 [.000100] MIN BRIGHT TIN IN LOCALIZED TIN PLATE AREA OVER 0.0013 [.000050] MIN NICKEL.



5	0.20 [.008] BRASS	1-770987-0
1	0.20 [.008] BRASS	770987-3
PRE-TIN	0.20 [.008] BRASS	770987-1
FINISH	MATERIAL	PART NUMBER

THIS DRAWING IS A CONTROLLED DOCUMENT.		DWN S. HOOVER 05MAR03	TE TE Connectivity	
DIMENSIONS: mm [INCHES]		CHK C. JONES 05MAR03		
TOLERANCES UNLESS OTHERWISE SPECIFIED:		APVD C. JONES 05MAR03	NAME	
0 PLC ± -	PRODUCT SPEC	PIN, LOOSE PIECE		
1 PLC ± -	APPLICATION SPEC	MINI UNIVERSAL MATE-N-LOK(TM)		
2 PLC ± 0.13[.005]	WEIGHT	SIZE A2	CAGE CODE 00779	DRAWING NO 770987
3 PLC ± -	CUSTOMER DRAWING	SCALE 10:1	SHEET 1 of 1	REV H
4 PLC ± -				
ANGLES ± -				
FINISH				



SECTION B-B
SCALE 20:1

SECTION A-A
SCALE 20:1

Mouser Electronics

Authorized Distributor

Click to View Pricing, Inventory, Delivery & Lifecycle Information:

[TE Connectivity:](#)

[770987-3](#)