

**PLEASE CHECK WWW.MOLEX.COM FOR LATEST PART INFORMATION**

**Part Number:** [0009484148](#)  
**Status:** **Active**  
**Overview:** [KK® Interconnect System - Molex](#)  
**Description:** KK 396 PC Board Connector, Top Entry, Polyester Connector, 5.00µm Tin (Sn), 14 Circuits

**Documents:**

<a href="#">3D Model</a>	<a href="#">Product Specification PS-08-50-001 (PDF)</a>
<a href="#">Drawing (PDF)</a>	<a href="#">Packaging Specification PK-41815-001-000 (PDF)</a>
<a href="#">Drawing (PDF)</a>	<a href="#">RoHS Certificate of Compliance (PDF)</a>

**Agency Certification**

CSA	LR19980
UL	E29179

**General**

Product Family	PCB Receptacles
Series	<a href="#">41815</a>
Application	Board-to-Board, Power
Overview	<a href="#">KK® Interconnect System - Molex</a>
Product Name	KK 396
UPC	800754904612

**Physical**

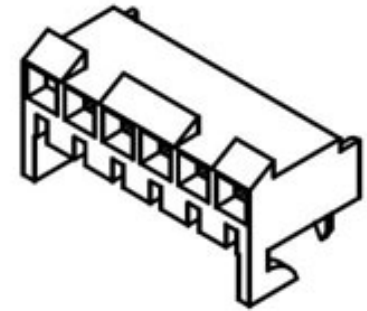
Circuits (Loaded)	14
Circuits (maximum)	14
Color - Resin	Natural
Flammability	94V-0
Glow-Wire Capable	No
Lock to Mating Part	Yes
Material - Metal	Phosphor Bronze
Material - Plating Mating	Tin
Material - Plating Termination	Tin
Material - Resin	Polyester
Net Weight	4.698/g
Number of Rows	1
Orientation	Vertical
PC Tail Length	3.05mm
PCB Locator	No
PCB Retention	None
PCB Thickness - Recommended	0.80mm
Packaging Type	Tray
Pitch - Mating Interface	3.96mm
Plating min - Mating	5.080µm
Plating min - Termination	5.080µm
Polarized to PCB	No
Temperature Range - Operating	See Product Specification
Termination Interface: Style	Through Hole

**Electrical**

Current - Maximum per Contact	5.0A
Voltage - Maximum	250V

**Solder Process Data**

Duration at Max. Process Temperature (seconds)	005
Lead-free Process Capability	WAVE
Max. Cycles at Max. Process Temperature	001
Process Temperature max. C	235



*Series image - Reference only*

**EU ELV**

**Not Relevant**

**EU RoHS**

**Compliant**

**REACH SVHC**

Not Contained Per -  
ED/71/2019 (16 July  
2019)

**Halogen-Free**

**Status**

**Not Low-Halogen**

For more information, please visit [Contact US](#)

China ROHS

ELV

RoHS Phthalates

**China RoHS**

Green Image

Not Relevant

Not Contained

**Search Parts in this Series**

[41815 Series](#)

**Mates With**

KK 396 Header [41771](#) , [41772](#) , [41791](#) ,  
[41792](#) , [42491](#) , [42492](#) , [42891](#) , [41661](#) ,  
[41662](#) , [41671](#) , [41672](#) , [41681](#)

**Material Info**

Engineering Number

A-41815-0070

**Reference - Drawing Numbers**

Packaging Specification

PK-41815-001-000

Product Specification

PS-08-50-001

Sales Drawing

SDA-41815-000, SDA-41815-002

Symbol/Footprint Data

SYM-09-48-4148

This document was generated on 10/10/2019

**PLEASE CHECK [WWW.MOLEX.COM](http://WWW.MOLEX.COM) FOR LATEST PART INFORMATION**

# Mouser Electronics

Authorized Distributor

Click to View Pricing, Inventory, Delivery & Lifecycle Information:

[Molex:](#)

[09-48-4148](#)