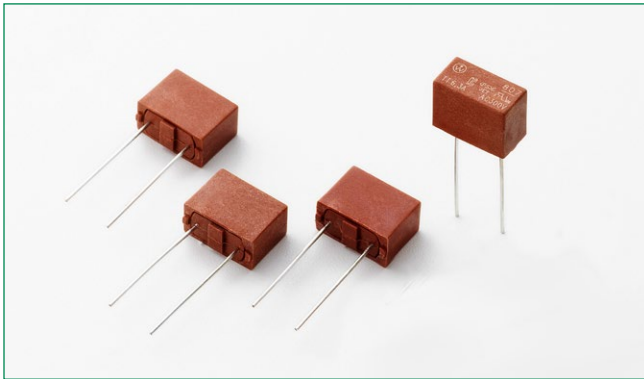


807 Series Fuse



Agency Approvals

Agency	Agency File Number	Ampere Range
	E67006	0.8A – 6.3A
	SU05024-10005	0.8A
	SU05024-10004	1A - 2.5A
	SU05024-10006	3.15A - 6.3A
	NBK121217-JP1021A	1A-2.5A
	NBK121217-JP1021B	3.15A-5A
	NBK121217-JP1021C	6.3A

Electrical Characteristics for Series

% of Ampere Rating	Opening Time
125%	3600 secs., Minimum
200%	120 secs., Maximum
1000%	100 milliseconds Minimum 1 secs., Maximum

Description

The 807 Series is a time-lag type subminiature fuse designed for overcurrent protection.

Features

- Lead-free, Halogen-free and RoHS compliant
- Reduced PCB space requirements
- Direct solderable or plug-in versions
- Low internal resistance
- Shock safe casing
- Vibration resistant
- Excellent surge tolerance due to high i^2t values
- Recognized to UL/CSA/ NMX 248-1 and UL/CSA/ NMX 248-14
- Approved to DENAN's Appendix 3
- Approved to K60127-1 and K60127-4
- Recognized to UL/CSA/ NMX 248-1 and UL/CSA/ NMX 248-14
- Approved to DENAN's Appendix 3
- Approved to K60127-1 and K60127-4

Applications

- Battery Charger
- Consumer Electronics
- Power Supplies
- Industrial Controllers

Additional Information



Datasheet



Resources



Samples

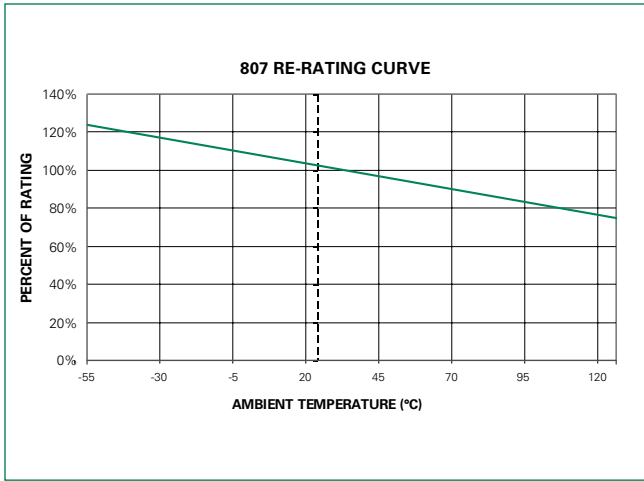
Electrical Characteristic Specifications by Item

Amp Code	Amp Rating	Voltage Rating (V)	Interrupting Rating	Nominal Cold Resistance (Ohms)	Voltage Drop $1.0 \times I_N$ max [mV]	Power Dissipation $1.25 \times I_N$ max [mW]	Melting Integral $10 \times I_N$ max [A ² s]	Agency Approvals		
0800	0.80A	300V	100A @300VAC	0.1887	218	332	12.480	x	x	
1100	1.00A	300V		0.1166	171	324	20.000	x	x	x
1125	1.25A	300V		0.0816	151	352	30.00	x	x	x
1160	1.60A	300V		0.0569	135	464	51.00	x	x	x
1200	2.00A	300V		0.0458	183	486	88.00	x	x	x
1250	2.50A	300V		0.0349	118	675	137.50	x	x	x
1315	3.15A	300V		0.0228	163	818	212.94	x	x	x
1400	4.00A	300V		0.0174	128	945	368.00	x	x	x
1500	5.00A	300V		0.0138	98	1091	748.00	x	x	x
1630	6.30A	300V		0.0100	78	1125	1099.00	x	x	x

Note:

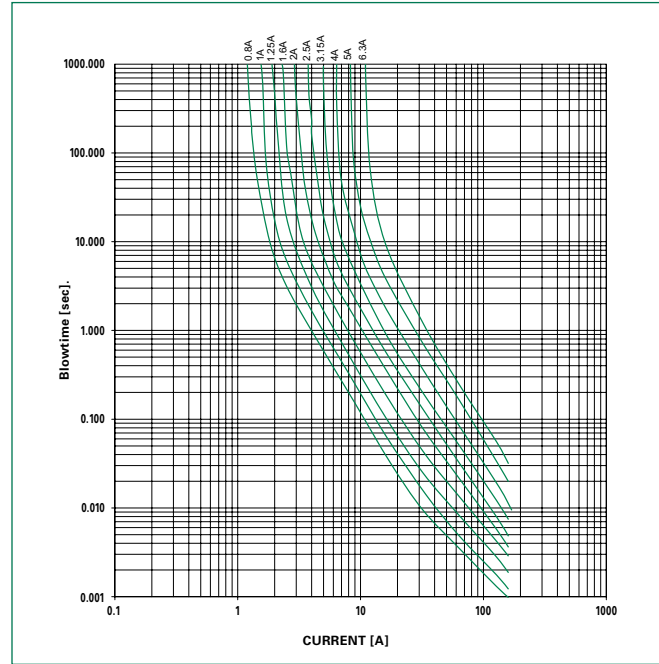
1. Resistance is measured at 10% of rated current, 25°C.

Temperature De-rating Curve

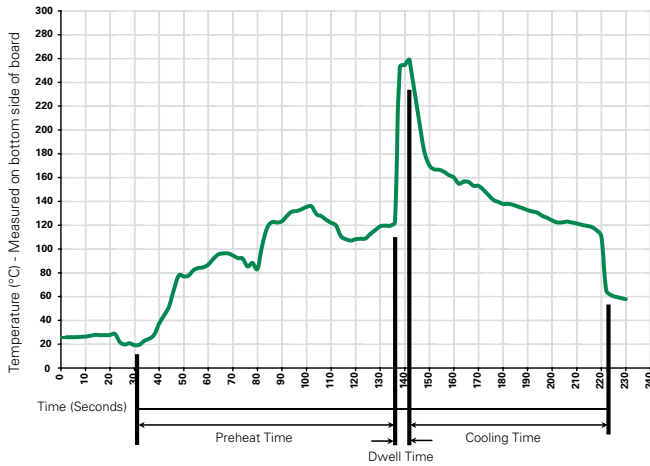


Note:
1. Derating depicted in this curve is in addition to the standard derating of 25% for continuous operation.

Average Time Current Curves



Soldering Parameters - Wave Soldering



Recommended Process Parameters:

Wave Parameter	Lead-Free Recommendation
Preheat: (Depends on Flux Activation Temperature)	(Typical Industry Recommendation)
Temperature Minimum:	100°C
Temperature Maximum:	150°C
Preheat Time:	60-180 seconds
Solder Pot Temperature:	260°C Maximum
Solder Dwell Time:	2-5 seconds

Recommended Hand-Solder Parameters:

Solder Iron Temperature: 350°C +/- 5°C
Heating Time: 5 seconds max.

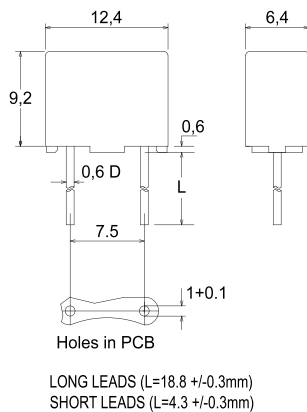
Note: These devices are not recommended for IR or Convection Reflow process.

Product Characteristics

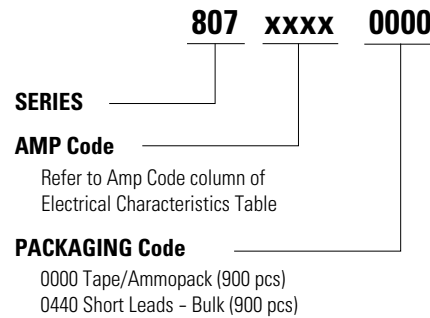
Materials	Base/Cap: Brown Thermoplastic Polyamide, UL 94V-0 Round Pins: Copper, Sn Plated
Lead Pull Strength	10 N (IEC 60068-2-21)
Solderability	260°C, ≤ 3s (Wave) 350°C, ≤ 1s (Soldering Iron)
Soldering Heat Resistance	260°C, 10s (IEC 60068-2-20) 350°C, 3s (Soldering Iron)

Operating Temperature	-40°C to +125°C (Consider re-rating)
Climatic Category	-40°C/+85°C/21 days (IEC 60068-1, -2-1, -2-2, -2-78)
Stock Conditions	+10°C to +60°C relative humidity 75% yearly average, without dew, maximum value for 30 days – 95% 24 cycles at 15 min. each (IEC 60068-2-6)
Vibration Resistance	10 - 60Hz at 0.75mm amplitude 20 - 2000Hz at 10g acceleration

Dimensions



Part Numbering System



Packaging

Packaging Option	Packaging Specification	Quantity	Quantity & Packaging Code	Reel Size
807 Series				
Tape & Ampmopack	N/A	1,000	0000	N/A
Short Leads	N/A	1,000	0440	N/A

Mouser Electronics

Authorized Distributor

Click to View Pricing, Inventory, Delivery & Lifecycle Information:

Littelfuse:

[80708000000](#) [80708000440](#) [80711000000](#) [80711000440](#) [80711250000](#) [80711250440](#) [80711600000](#)
[80711600440](#) [80712000000](#) [80712000440](#) [80712500000](#) [80712500440](#) [80713150000](#) [80713150440](#) [80714000000](#)
[80714000440](#) [80715000000](#) [80715000440](#) [80716300000](#) [80716300440](#)