

4

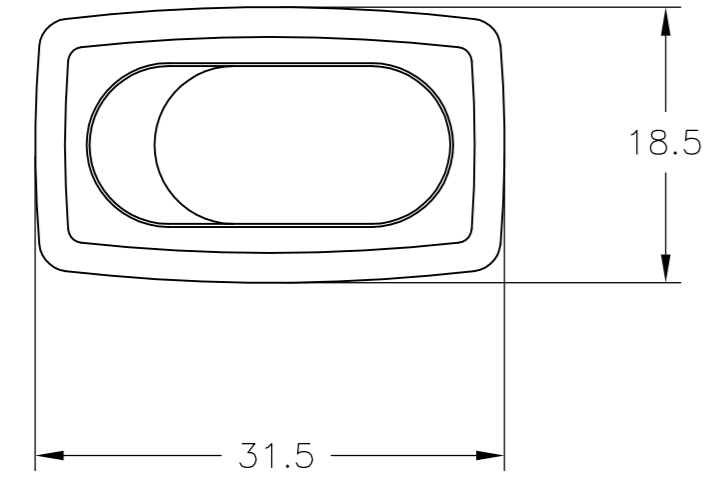
3

2

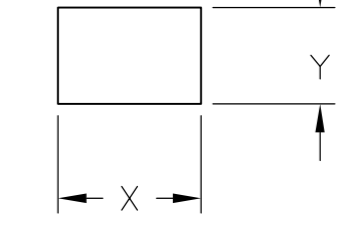
1

THIS DRAWING IS UNPUBLISHED. RELEASED FOR PUBLICATION. ALL RIGHTS RESERVED.

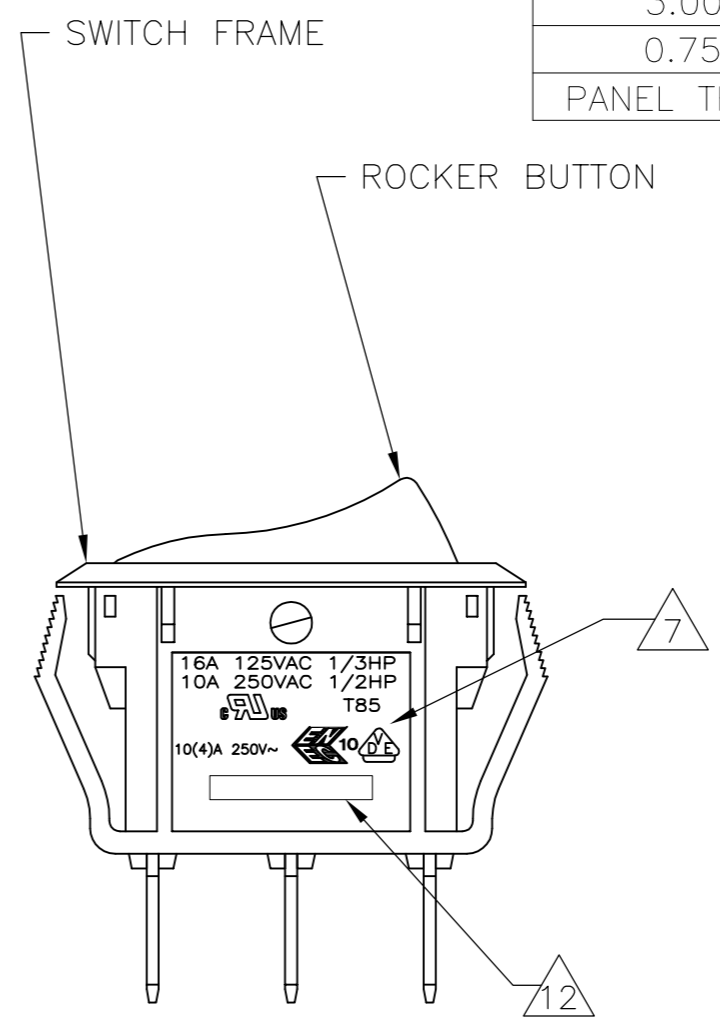
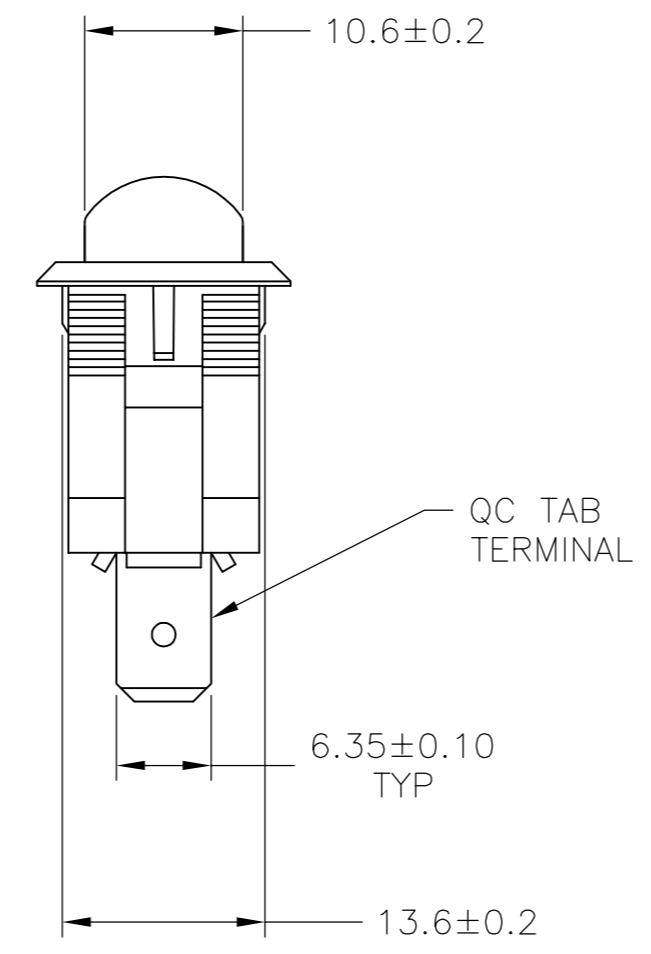
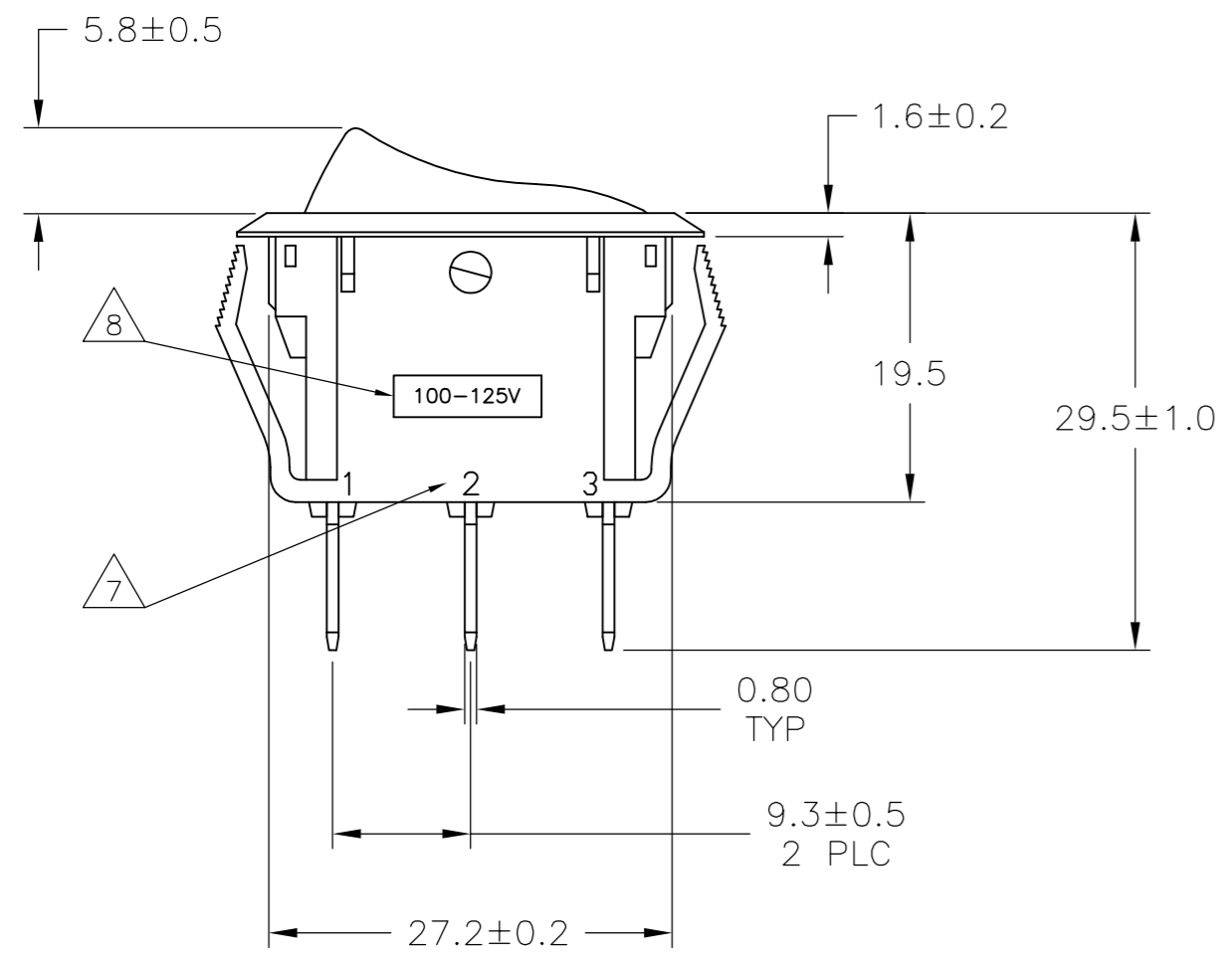
REVISIONS					
P	LTR	DESCRIPTION	DATE	DWN	APVD
	F2	REVISED PER ECO-10-005254	17MAR10	HMR	NE
	F3	REVISED PER ECO-16-017354	07MAR2017	RK	AS



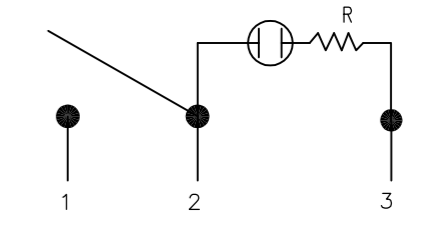
PANEL CUT OUT



4.00-5.00	28.0-0.1	13.8+0.1
3.00-4.00	27.8-0.1	13.8+0.1
0.75-3.00	27.6-0.1	13.8+0.1
PANEL THICKNESS	X	Y



SWITCH FUNCTION B1 & B3 CIRCUIT DIAGRAM



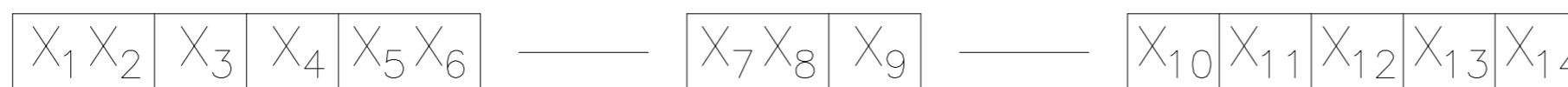
1571092-1 SHOWN

THIS DRAWING IS A CONTROLLED DOCUMENT.		DWN M.BINNER 25FEB2002		
DIMENSIONS: mm		CHK J.MOSIER		
TOLERANCES UNLESS OTHERWISE SPECIFIED:		APVD -	PRODUCT SPEC NOT APPLICABLE	POWER ROCKER SWITCH 13.8mmX27.6mm PANEL SIZE SPST 3 TERMINALS, LAMP-ILLUMINATED
0 PLC ± - 1 PLC ± 0.30 2 PLC ± 0.05 3 PLC ± - 4 PLC ± - ANGLES ± -		APPLICATION SPEC NOT APPLICABLE	SIZE A2	CAGE CODE 00779
MATERIAL 1	FINISH 2	WEIGHT 0	DRAWING NO. 1571092	RESTRICTED TO -
CUSTOMER DRAWING			SCALE 2:1	SHEET 1 of 2
			REV F3	

THIS DRAWING IS UNPUBLISHED. RELEASED FOR PUBLICATION  
 © COPYRIGHT - By - ALL RIGHTS RESERVED.

REVISIONS				
P	LTR	DESCRIPTION	DATE	APVD
-	-	SEE SHEET 1	-	-

LEGACY PART NUMBER



SWITCH TYPE: X<sub>1</sub>X<sub>2</sub> = PR - POWER ROCKER

SECONDARY ROCKER COLOR: X<sub>12</sub> = Ø - NOT APPLICABLE

NOMINAL PANEL CUT OUT SIZE: X<sub>3</sub> = B - 13.8x27.6

NUMBER OF POLES: X<sub>4</sub> = S - SINGLE

SWITCH FUNCTION: X<sub>5</sub>X<sub>6</sub> = B1 - ON-OFF, TRANSPARENT, LAMP ILLUMINATED  
 ROCKER BUTTON (100-125 VAC LAMP VOLTAGE)  
B3 - ON-OFF, TRANSPARENT, LAMP ILLUMINATED  
 ROCKER BUTTON (200-250 VAC LAMP VOLTAGE)

LEGEND TEXT PATTERN: X<sub>13</sub> =



CURRENT RATING: X<sub>7</sub>X<sub>8</sub> = 16 - 6

TERMINAL TYPE: X<sub>9</sub> = E - QC TAB  
L - SOLDER LUG

LEGEND TEXT COLOR: X<sub>14</sub> = Ø - NOT APPLICABLE

- G - GREEN
- R - RED
- B - BLACK
- W - WHITE

FRAME COLOR: X<sub>10</sub> = B - BLACK  
W - WHITE

ROCKER COLOR: X<sub>11</sub> = A - AMBER  
C - CLEAR  
G - GREEN  
R - RED

1

**MATERIALS:**

LAMP BASE & HOUSING: NYLON 66, UL 94 V-2.  
 ROCKER BUTTON: POLYCARBONATE UL 94 V-2.  
 TERMINAL (NOS. 1 & 2), ACTIVE CONTACTOR: COPPER ALLOY PER ASTM B152/B152M  
 TERMINAL (NO. 3), PLUNGER: COPPER ALLOY PER ASTM B036  
 PLUNGER SPRING: STEEL WIRE PER ASTM A228/A228M  
 CONTACT: SILVER-TIN OXIDE  
 LAMP SPRING: STAINLESS STEEL WIRE  
 LAMP: GLASS-ENCLOSED NEON LAMP  
 LAMP RESISTOR: 33kΩ, 1/8W RATED, (100-125V LAMP VOLTAGE)  
 150kΩ, 1/8W RATED, (200-250V LAMP VOLTAGE)

2

**FINISH:**

ACTIVE CONTACTOR, TERMINALS (No. 1&2): 1.0μm MIN SILVER  
 PLUNGER: 3.0μm MIN NICKEL

3.

**ELECTRICAL SPECIFICATIONS:**

CURRENT & VOLTAGE: 6  
 LAMP VOLTAGE: SWITCH FUNCTION B1, 100-125 VAC  
 SWITCH FUNCTION B3, 200-250 VAC  
 CONTACT RESISTANCE (INITIAL): <50mΩ  
 DIELECTRIC STRENGTH (INITIAL): >1000 VAC, 1 MINUTE  
 INSULATION RESISTANCE (INITIAL): >100MΩ MIN (500VDC BETWEEN OPEN CONTACTS)  
 INRUSH CURRENT: 50A / 3msec (CAPACITIVE LOAD)  
 ELECTRICAL LIFE ENDURANCE: >6000 OPERATIONS,  
 TEMPERATURE RISE AT TERMINALS: <30°C, 6000 OPERATIONS  
 (AMBIENT CONDITIONS: 25±2°C AND 65±5%R.H)

4.

**MECHANICAL SPECIFICATIONS:**

ACTUATING FORCE: 300g MIN, 700g MAX  
 OPERATING LIFE ENDURANCE: >100,000 OPERATIONS  
 TERMINAL RETENTION STRENGTH: >2.5kg- SOLDER LUG  
 >10.0kg- QC TAB

5.

**ENVIRONMENTAL SPECIFICATIONS:**

AMBIENT TEMPERATURE: -20°C TO +85°C  
 HUMIDITY: MAX 85%  
 SALT SPRAY: NO REMAKABLE RUST IN METAL PARTS. (5% SALT / 35°C 24HRS)  
 SHOCK: NO MECHANICAL DEFECT OR DAMAGE. (100g / 10MSEC/ X,Y,Z 3 TIMES)  
 VIBRATION: NO MECHANICAL DEFECT OR DAMAGE. (10-55Hz / 1.5mm/ X,Y,Z 2HRS)  
 DEGREE OF PROTECTION: IP40

6

UL: 16A@125VAC 1/3 HP/10A@250VAC 1/2 HP  
 ENEC: 10(4)A 250V~

7

ELECTRICAL RATINGS, APPROVED AGENCY LOGOS, TERMINAL IDENTIFICATION NUMBERS, MOLDED APPROXIMATELY AS SHOWN ON THE SIDES OF THE SWITCH HOUSING.

8

THE LAMP VOLTAGE RATING IS LISTED ON THE LABEL LOCATED ON THE SIDE OF THE SWITCH HOUSING, APPROXIMATELY AS SHOWN.

9.

COMPONENT RECOGNIZED TO US & CANADIAN STANDARDS, UL FILE NO. E46765.

10.

COMPONENT-RECOGNIZED TO EUROPEAN STANDARDS (ENEC & VDE) MARKS LICENSE NO 40020315

11.

ROHS 2002/95/EC COMPLIANT

12

TYCO ELECTRONICS LOGO LOCATED APPROXIMATELY AS SHOWN

OBSOLETE	PRBSB1-16F-BC000	1571092-4
	PRBSB1-16F-BA000	1571092-3
OBSOLETE	PRBSB1-16F-BR0BW	1571092-2
	PRBSB1-16F-BR000	1571092-1
	LEGACY PART NUMBER	PART NUMBER

THIS DRAWING IS A CONTROLLED DOCUMENT.		DWN M.BINNER	25FEB2002	TE Connectivity	
DIMENSIONS: mm		CHK J.MOSIER	APVD -	NAME	
TOLERANCES UNLESS OTHERWISE SPECIFIED:		PRODUCT SPEC		POWER ROCKER SWITCH 13.8mmX27.6mm	
0 PLC ± -		NOT APPLICABLE		PANEL SIZE SPST 3 TERMINALS, LAMP-ILLUMINATED	
1 PLC ± 0.30		APPLICATION SPEC		SIZE CAGE CODE DRAWING NO RESTRICTED TO	
2 PLC ± 0.05		NOT APPLICABLE		A2 00779 1571092	
3 PLC ± -		MATERIAL		SCALE SHEET REV	
4 PLC ± -		FINISH		2:1 2 of 2 F3	
ANGLES ± -		WEIGHT		CUSTOMER DRAWING	

# Mouser Electronics

Authorized Distributor

Click to View Pricing, Inventory, Delivery & Lifecycle Information:

[TE Connectivity:](#)

[PRBSB1-16F-BA000](#)