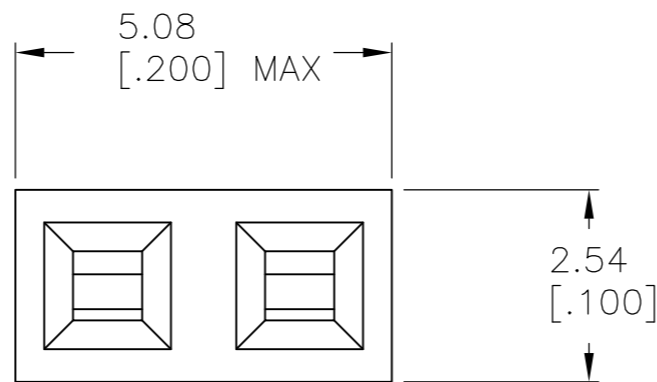
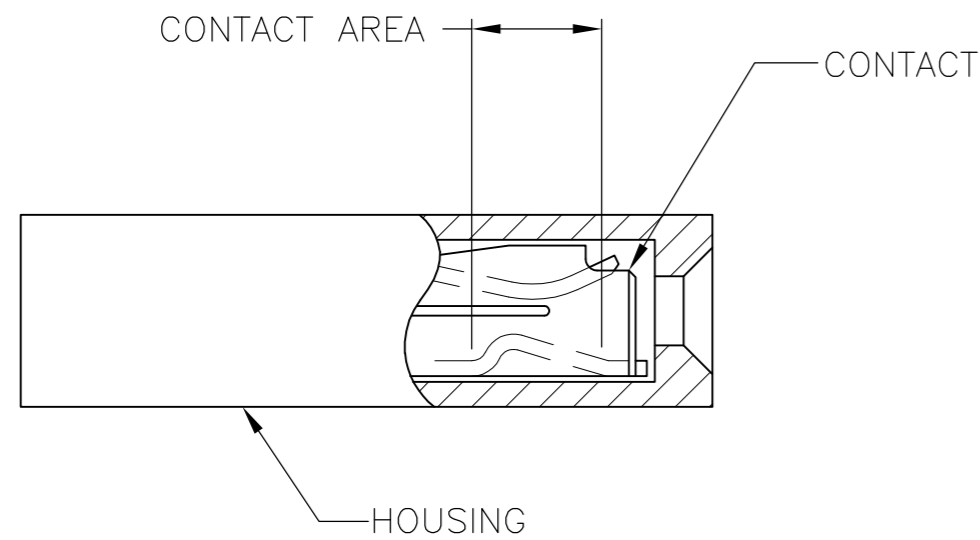
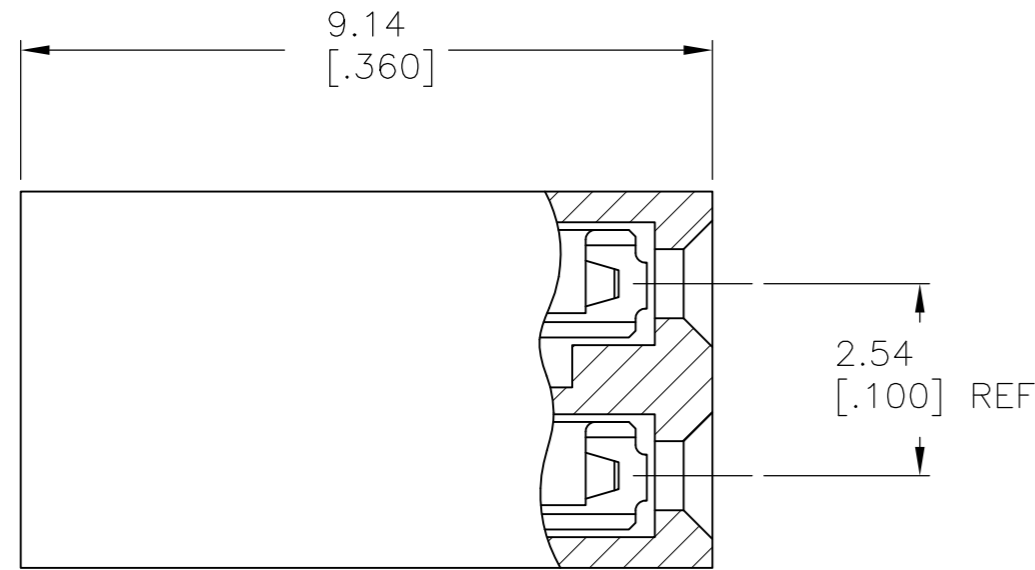


THIS DRAWING IS UNPUBLISHED. RELEASED FOR PUBLICATION
 © COPYRIGHT - By - ALL RIGHTS RESERVED.

LOC		DIST		REVISIONS			
P	LTR	DESCRIPTION		DATE	DWN	APVD	
	T2	REVISED PER ECO-15-004653		30MAR2015	NK	MM	



- 1 MATERIAL:
HOUSING: FLAME RETARDANT NYLON, 94V-0,
OR FLAME RETARDANT POLYESTER 94V-0.
CONTACT: PHOSPHOR BRONZE.
- 2 CONTACT PLATED WITH 0.00076[.000030] GOLD INLAY OVER
0.00076[.000030] NICKEL IN CONTACT AREA ONLY.
- 3 CONTACT PLATED WITH 0.0013[.000050] GOLD INLAY OVER
0.00076[.000030] NICKEL IN CONTACT AREA ONLY.
- 4 CONTACT PLATED WITH 0.00254[.000100] TIN/LEAD OVER ALL.
- 5 CONTACT PLATED WITH 0.00038[.000015] GOLD INLAY OVER
0.00076[.000030] NICKEL IN CONTACT AREA ONLY.
- 6 HOUSING CUT-OFF BURR NOT EXCEED 0.13[.005].
- 7 CONNECTOR MATES WITH 0.61[.024] TO 0.66[.026] SQUARE
PIN. PIN LENGTH 4.45[.175] MIN. TO 8.38[.330] MAX.
- 8 CONTACT PLATED WITH 0.00254[.000100] MATTE TIN OVER ALL.

SUPERCEDED BY 390088-2

SUPERCEDED BY 390088-1

FINISH	HOUSING COLOUR	PART NO
8	RED	4-530153-5
	BLUE	4-530153-4
	YELLOW	4-530153-3
	NATURAL	4-530153-2
	BLACK	4-530153-1
5	BLACK	3-530153-2
	RED	3-530153-0
	BLUE	2-530153-6
	YELLOW	2-530153-4
	BLACK	2-530153-2
4	NATURAL	2-530153-1
	BLACK	1-530153-2
	RED	1-530153-0
	BLUE	530153-6
	YELLOW	530153-4
2	BLACK	530153-2
	NATURAL	530153-1

THIS DRAWING IS A CONTROLLED DOCUMENT.		DWN R.TALLEY 12MAR91		
DIMENSIONS: mm[INCHES]		CHK R.MILLER 19MAR91		
TOLERANCES UNLESS OTHERWISE SPECIFIED:		APVD D.HUFFMAN 19MAR91	NAME	
0 PLC ± -	1 PLC ± -	PRODUCT SPEC	TANDEM SPRING SHUNT CONNECTOR	
2 PLC ± 0.25 [.010]	3 PLC ± -	108-9062	2 POSITION, 2.54 [.100] CL	
4 PLC ± -	ANGLES ± -	APPLICATION SPEC	SIZE	CAGE CODE
FINISH	SEE TABLE	114-1045	A2	00779
MATERIAL		WEIGHT	DRAWING NO	RESTRICTED TO
1		-	C=530153	-
CUSTOMER DRAWING			SCALE	SHEET
			10:1	1 OF 1
			REV	T2