

THIS INFORMATION IS CONFIDENTIAL AND PROPRIETARY TO CW INDUSTRIES INCORPORATED AND ITS AFFILIATES. IT MAY NOT BE DISCLOSED TO ANYONE OTHER THAN CW INDUSTRIES PERSONNEL, WITHOUT WRITTEN AUTHORIZATION FROM CW INDUSTRIES INCORPORATED, SOUTHAMPTON, PENNSYLVANIA USA.

F

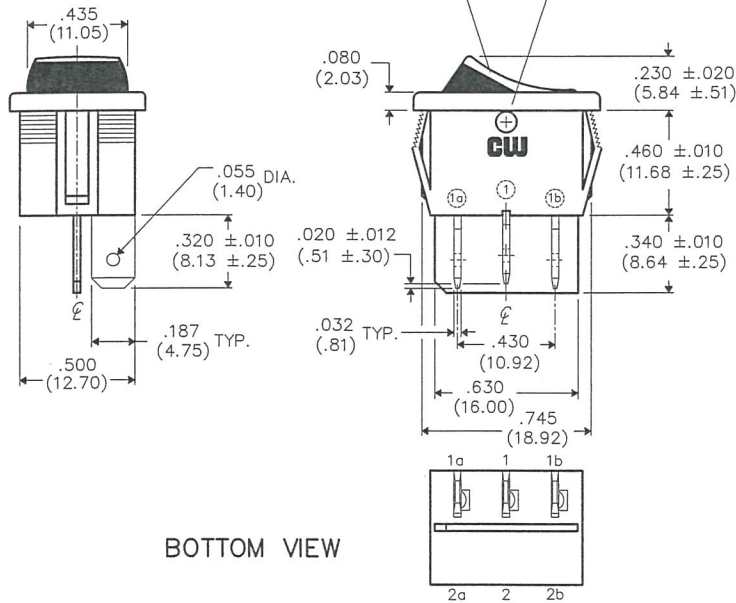
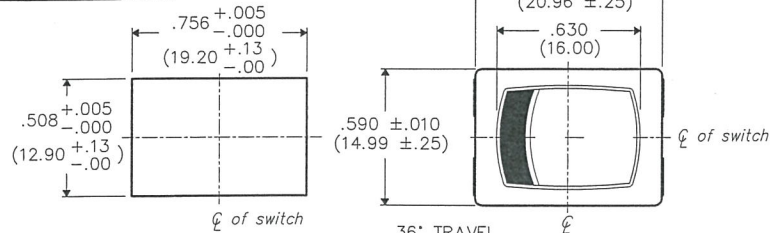
D

C

B

A

PANEL PIERCING



BOTTOM VIEW

DIMENSIONS IN INCHES (MILLIMETERS)
DO NOT SCALE DRAWING

Dwg. No.

GRS-4012-0065

UL, CSA & VDE LISTED:

16A 125-250VAC 3/4H.P. 125-250VAC
 3A 125V L 10A 14V(T)
 10(4) 250 ~ 4 T85'

MATERIALS:

BUTTON - NYLON 6/6 94V-2 COLOR, BLACK/RED
 HOUSING - NYLON 6/6 94V-2 COLOR, BLACK
 TERMINAL & MOVING CONTACT - COPPER ALLOY

1 2 3 4 5 6 7 8 9 10

B-FORMAT 2002

REVISIONS

0
 RELEASED:
 DGW 2-25-2013
 FEB 26 2013

CW INDUSTRIES
 Southampton, Pa. 18966

TOLERANCES UNLESS OTHERWISE SPECIFIED	
2 Place Decimal $\pm .010$	METRIC
3 Place Decimal $\pm .005$	1 Place Dec. $\pm .25$ mm
Angles $\pm 1'$	2 Place Dec. $\pm .13$ mm

Made for: CW IND.
 Drawn by: DGW 2-25-2013
 Checked by: G. Gold 2-26-13
 Approval: C. H. 2/21/13

Title: 2 COLOR
 ROCKER SWIDGET
 ASSEMBLY
 SP/DT (POP-IN)

Division: SWITCH

Dwg. No. GRS-4012-0065

MASTER

Mouser Electronics

Authorized Distributor

Click to View Pricing, Inventory, Delivery & Lifecycle Information:

[CW Industries:](#)

[GRS-4012-0065](#)