

THIS DRAWING IS UNPUBLISHED. RELEASED FOR PUBLICATION

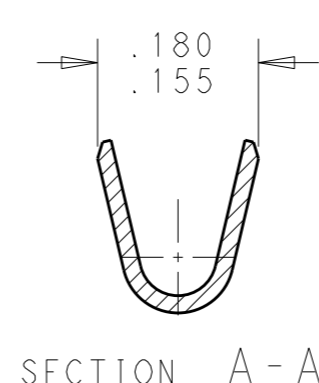
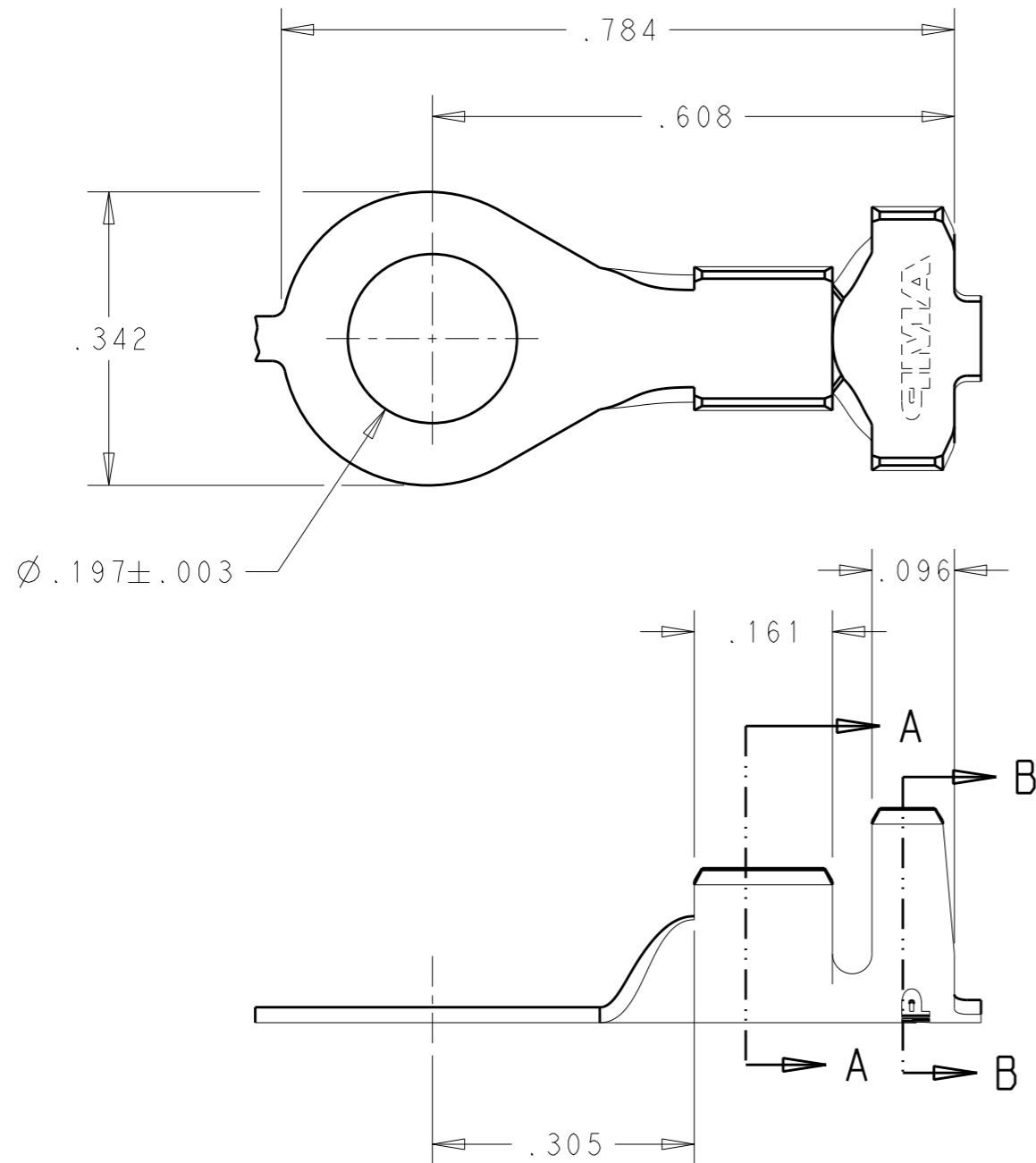
© COPYRIGHT - BY - TE CONNECTIVITY ALL RIGHTS RESERVED.

REVISIONS

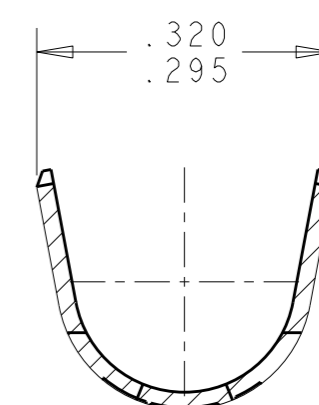
P	LTR	DESCRIPTION	DATE	DWN	APVD
	F2	REVISED PER ECR-17-008062	05JUN2017	BW	FV

CRIMPING DATA

TYPE	SIZE	INSULATION RANGE	TYPE	SIZE	CRIMP HEIGHT	WIRE SIZE	PAO LTR	WIRE RANGE	FEED	APPL INST
F	.280	.150-.250, (2).125	F	.140	.067	(1)16 OR (2)18	D	16-12, (2)16, (2)18	.855	A1 8039
					.073	14	C			
					.078	(2)16	B			
					.084	12	A			
INSULATION BARREL CRIMP					WIRE BARREL CRIMP					



SECTION A-A



SECTION B-B

WIRE SIZE	INSUL SIZE(2)
16-12	Ø .125

NICKEL PLATED STEEL	640253-4
REELED WITH "U" S UP	640253-2
REELED WITH "U" S UP	640253-1
PLATING	PART NUMBER

THIS DRAWING IS A CONTROLLED DOCUMENT.		DWN	-	STE TE Connectivity			
DIMENSIONS: INCHES		CHK	-				
TOLERANCES UNLESS OTHERWISE SPECIFIED:		APVD	-	NAME RING			
0 PLC ±-		PRODUCT SPEC	-	-			
1 PLC ±-		APPLICATION SPEC	-	-			
2 PLC ±-		WEIGHT	-	SIZE	CAGE CODE	DRAWING NO	RESTRICTED TO
3 PLC ±.015				A3	00779	C-640253	-
4 PLC ±-							
ANGLES ±-							
MATERIAL .018 BRASS	FINISH TIN	CUSTOMER DRAWING		SCALE	SHEET	OF	REV
				5:1	1	1	F2

Mouser Electronics

Authorized Distributor

Click to View Pricing, Inventory, Delivery & Lifecycle Information:

[TE Connectivity:](#)

[640253-2 \(Mouser Reel\)](#) [640253-2 \(Cut Strip\)](#)