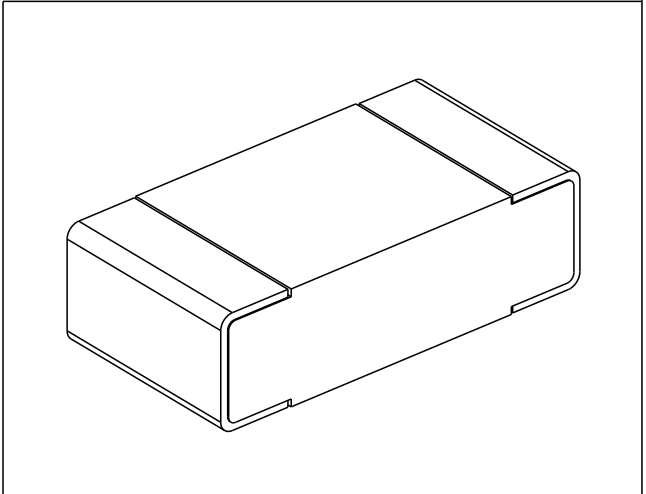


REVISIONS				
P	LTR	DESCRIPTION	DATE	APVD
	BA1	ECR-14-009193	19JUN2014	KR

FOR FURTHER INFORMATION SEE DATA SHEET FOR CPF SERIES-THIN FILM PRECISION CHIP RESISTORS



RoHS Compliant



2008


RELEASED FOR PUBLICATION

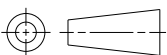
ALL RIGHTS RESERVED.

THIS DRAWING IS UNPUBLISHED.

BY -

© COPYRIGHT 2008

DIMENSIONS: mm	DWN SUBHASH.M	29-Sep-08	MATERIAL	-	FINISH	-
	CHK PRAKASH.S	29-Sep-08	 TE Connectivity			
TOLERANCES UNLESS OTHERWISE SPECIFIED:	APVD STEPHEN.P	29-Sep-08				
	0 PLC ± 0.2	PRODUCT SPEC	-	NAME	THIN FILM PRECISION CHIP RESISTORS SERIES CPF 0603	
1 PLC ± 0.1	APPLICATION SPEC	-	SIZE	CAGE CODE	DRAWING NO	RESTRICTED TO
2 PLC \pm	WEIGHT	-	A 4	00779	C=1879337	-
3 PLC \pm			SCALE		SHEET	REV
4 PLC \pm			40:1		1 OF 1	BA1
ANGLES $\pm 5^\circ$			Customer Drawing			



Mouser Electronics

Authorized Distributor

Click to View Pricing, Inventory, Delivery & Lifecycle Information:

[TE Connectivity:](#)

[5-1879337-9](#)