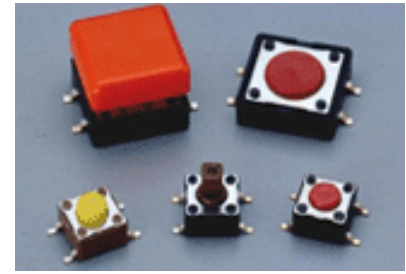


**ADTS6, ADTSM &  
AKTSC6 SERIES  
(SQUARE STEM WITH CAP OPTIONS)  
MECHANICAL CONTACT STYLE**



**FEATURES**

- Positive tactile feedback.
- Ultraminiature structure suitable for high density mounting. Economic but high reliability.
- Insert molded terminals prevent flux build-up during soldering.

**MATERIALS**

COVER:	Stainless steel.
BASE:	UL94V-0 Nylon Thermoplastic. Color: Black
STEM:	UL94V-0 Nylon Thermoplastic. Color: Black(100gf), Brown(160gf), Red(260gf), Salmon(320gf), Yellow(520gf) Silicone rubber Color: Red(300gf)
CONTACT DISC:	Phosphor bronze with silver cladding.
TERMINAL:	Brass with silver plating.
CAP:	Termoplastic ABS.

**GENERAL SPECIFICATIONS**

**ELECTRICALS**

Electrical life:	100,000 cycles for 320gf, 520gf. 100,000 cycles for 260gf. 200,000 cycles for 100gf, 160gf.
Rating:	50 mA, 12 VDC.
Contact resistance:	100 milliohms max.
Insulation resistance:	100 megohms min. 500 VDC.
Dielectric Strength:	250 VAC /1 minute.
Contact Arrangement:	1 pole 1 throw.

**MECHANICALS**

Operational Force:	520 ± 130gf Brown (Y) 320 ± 80gf Brown (S) 260 ± 50gf Red (R) 160 ± 50gf Brown (N) 100 ± 50gf Black (K)
Stop Strength:	Max 3kgf vertical static load continuously for 15 seconds.
Stoke:	(12x12) 0.35 ± 0.1 mm (6x6) 0.25 ± 0.2 mm - 0.1 mm
Operating Temperature Range:	-25°C to + 70°C
Storage Temperature Range:	-30°C to + 80°C
Vibration resistance:	MIL-STD-202F METHOD 201A. Frequency: 10-55-10Hz/1 minute. Directions: X,Y,Z, three mutually perpendicular directions. Time: 2 hours each direction. High reliability.
Shock resistance:	MIL-STD-202F METHOD 213B. Frequency: 10-55-10Hz/1 minute. Directions: X,Y,Z, three mutually perpendicular directions. Time: 2 hours each direction. High reliability.

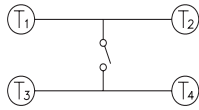
SPECIFICATIONS SUBJECT TO CHANGE WITHOUT NOTICE.

**SOLDERING PROCESSES**

WAVE SOLDERING: Recommended solder temperature at 500°F (260°C) max. 5 seconds subject to PCB 1.6mm thickness. (For through hole type)

HAND SOLDERING: Use a soldering iron of 30 watts, controlled at 350°C approximately 5 seconds while applying solder.

**CIRCUIT**



**HOW TO ORDER**

ADTS



Package Style:

= Bulk Pack

\* B = Tube

\* Except ADTS-63, 644, 648, 65, 66

Soldering:

V = Lead Free

Color Of Stem For Operating Force:

K= Black, 100gf

N = Brown, 160gf

R = Red, 260gf

S = Salmon, 320gf

Y = Yellow, 520gf

N/K = Black, 160gf

< 12 x 12, K, Y Unavailable >

Dimension H:

6 x 6mm:

1 = 4.3mm

2 = 5.0mm

3 = 7.0mm

44= 7.3mm (SQ.) x 2.4mm

48= 7.3mm (SQ.) x 2.8mm

5 = 9.5mm

6 = 13mm

12 x 12mm:

1 = 4.3mm

4 = 7.3mm (SQ.) x 3.8mm

5 = 8.5mm

Prod. Size

6 = 6.6mm

2 = 12 x 12mm

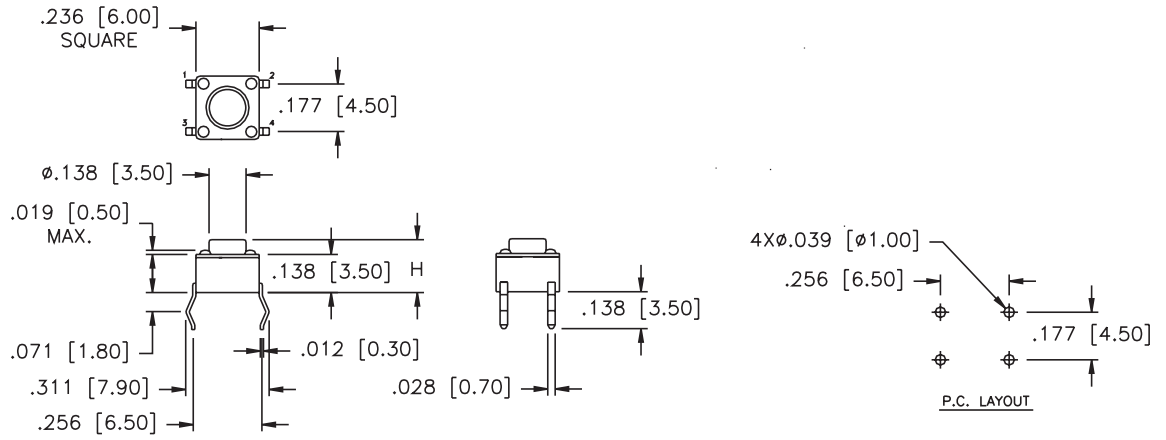
= None Post

M = Surface Mount

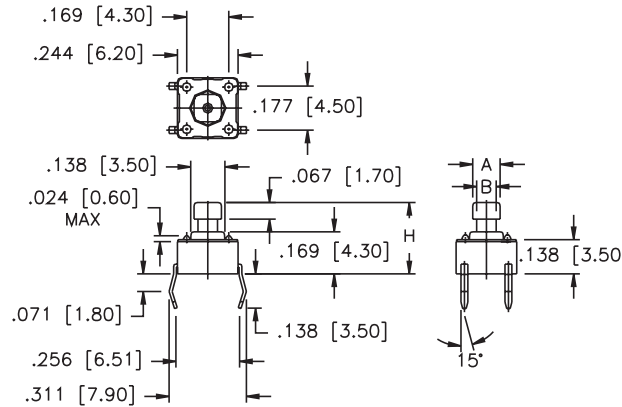
SPECIFICATIONS SUBJECT TO CHANGE WITHOUT NOTICE.

SPECIFICATIONS SUBJECT TO CHANGE WITHOUT NOTICE.

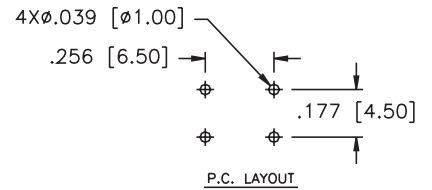
**ADTS6\*\*V**



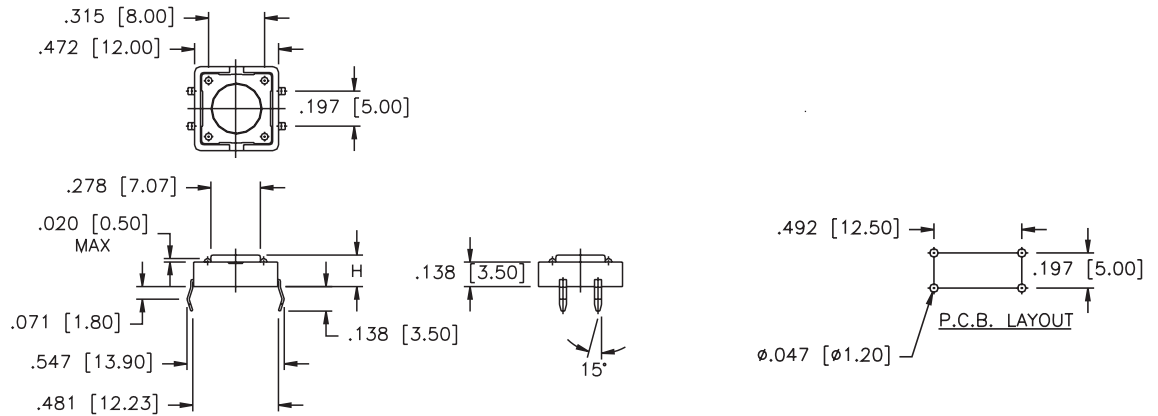
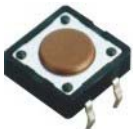
**ADTS64\*\*V**



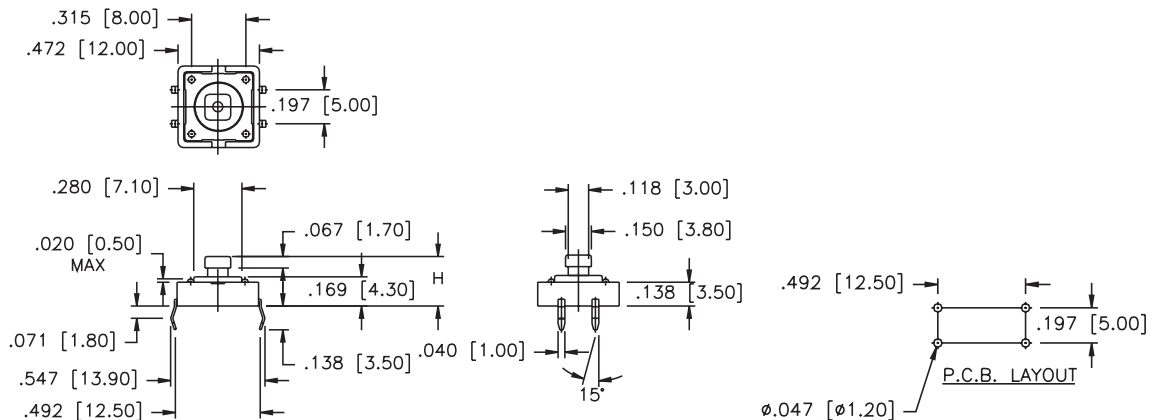
PRODUCT NO.	LOC.	MM.	INCH
<b>ADTS644*V</b>	A	2.4	[.095]
	B	1.6	[.063]
<b>ADTS648* V</b>	A	2.8	[.110]
	B	2.0	[.079]



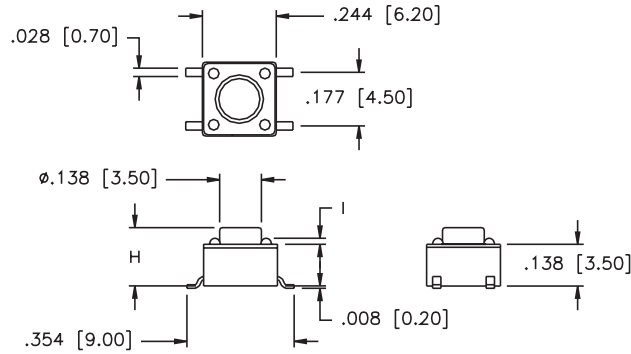
**ADTS2\*\*V**



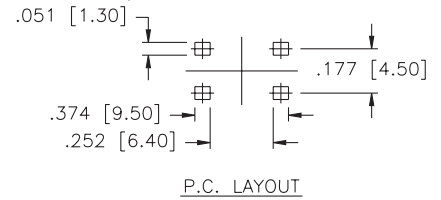
**ADTS24\*V**



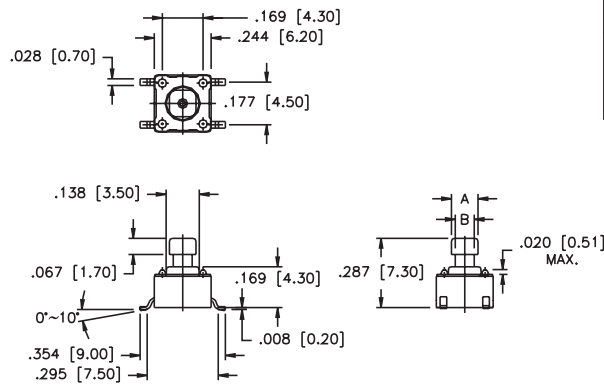
**ADTSM6\*\*V**



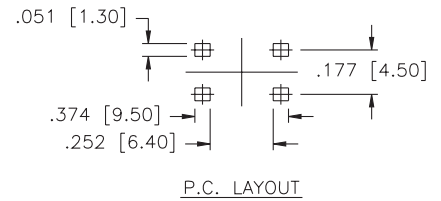
PART NUMBER.	DIM. I
ADTSM62-66*	.024 MAX.
ADTSM61*	.020 MAX.



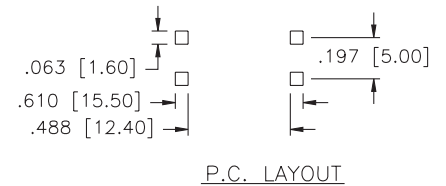
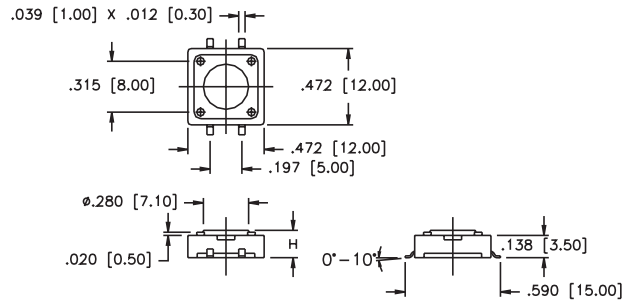
**ADTSM64\*\*V**



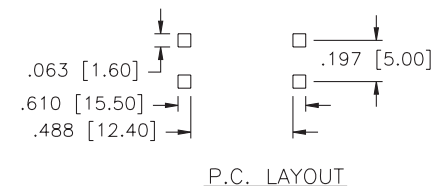
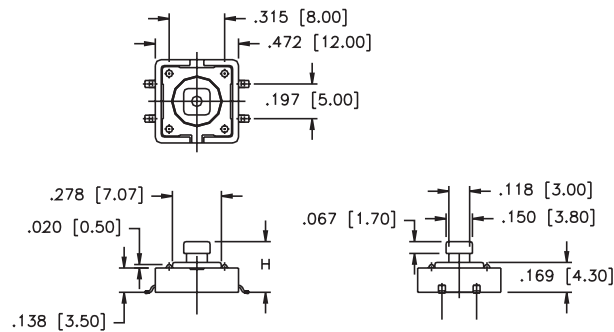
PART NUMBER.	DIM. A	DIM. B
ADTSM644*V*	.094 [2.4]	.063 [1.6]
ADTSM648*V*	.100 [2.8]	.079 [2.0]



**ADTSM2\*\*V**



**ADTSM24\*V**



SPECIFICATIONS SUBJECT TO CHANGE WITHOUT NOTICE.

# AKTSC CAPS



## CAP PART NO.

AKTSC

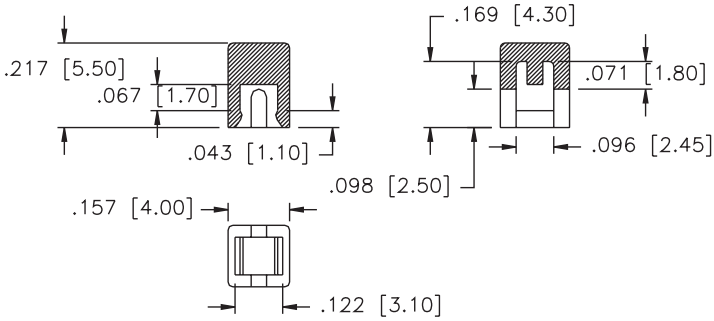
Cap Type:  
1 = Square  
2 = Round

Prod. Size: ( Tactile Switch )  
6 = 6 x 6mm  
2 = 12 x 12mm

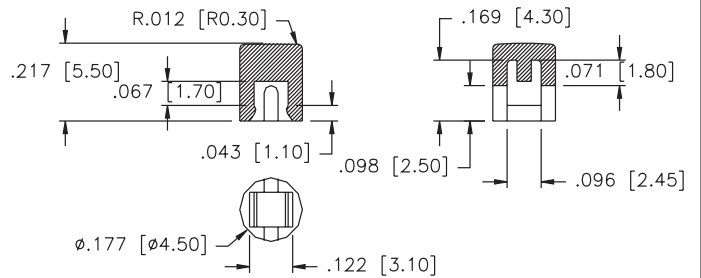
Cap Color:  
Y= Yellow  
B = Blue  
R = Red  
I = Ivory  
K = Black  
G = Green  
S = Salmon

SPECIFICATIONS SUBJECT TO CHANGE WITHOUT NOTICE.

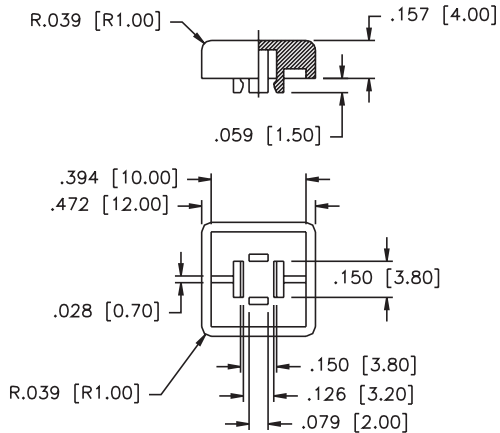
### AKTSC61



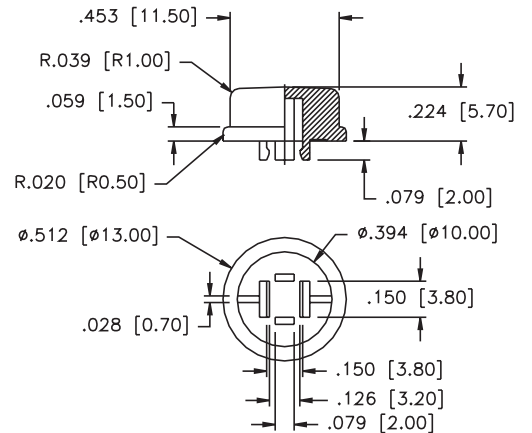
### AKTSC62



### AKTSC21



### AKTSC22



## PACKAGING

ADTS-6 Series: 1000 pcs/bag  
ADTS(P)-2 series: 500 pcs/bag or 40pcs/tube

# Mouser Electronics

Authorized Distributor

Click to View Pricing, Inventory, Delivery & Lifecycle Information:

## Apem:

[ADTS63RV](#) [ADTS63SV](#) [ADTS63YV](#) [ADTS644KV](#) [ADTS644NV](#) [ADTS644RV](#) [ADTS644SV](#) [ADTS644YV](#)  
[ADTS648KV](#) [ADTS648NV](#) [ADTS648RV](#) [ADTS648SV](#) [ADTS648YV](#) [ADTS65KV](#) [ADTS65NV](#) [ADTS65RV](#)  
[ADTS65SV](#) [ADTS65YV](#) [ADTS66KV](#) [ADTS66NV](#) [ADTS66RV](#) [ADTS66SV](#) [ADTS66YV](#) [ADTSF60KV](#)  
[ADTSF60KVTR](#) [ADTSF60NV](#) [ADTSF60NVTR](#) [ADTSF60RV](#) [ADTSF60RVTR](#) [ADTSF61KV](#) [ADTSF61KVTR](#)  
[ADTSF61NV](#) [ADTSF61NVTR](#) [ADTSF61RV](#) [ADTSF61RVTR](#) [ADTSF62KV](#) [ADTSF62KVTR](#) [ADTSF62NV](#)  
[ADTSF62NVTR](#) [ADTSF62RV](#) [ADTSF62RVTR](#) [ADTSG61KV](#) [ADTSG61NV](#) [ADTSG61RV](#) [ADTSG62KV](#)  
[ADTSG62NV](#) [ADTSG62RV](#) [ADTSG63KV](#) [ADTSG63NV](#) [ADTSG63RV](#) [ADTSG644KV](#) [ADTSG644NV](#) [ADTSG644RV](#)  
[ADTSG648KV](#) [ADTSG648NV](#) [ADTSG648RV](#) [ADTSG65KV](#) [ADTSG65NV](#) [ADTSG65RV](#) [ADTSG66KV](#)  
[ADTSG66NV](#) [ADTSG66RV](#) [ADTSGF60KVTR](#) [ADTSGF60NVTR](#) [ADTSGF60RVTR](#) [ADTSGF61KVTR](#)  
[ADTSGF61RVTR](#) [ADTSGF62RVTR](#) [ADTSGL60KVTR](#) [ADTSGL60NVTR](#) [ADTSGL60RVTR](#) [ADTSGL60SVTR](#)  
[ADTSGL61KVTR](#) [ADTSGL61NVTR](#) [ADTSGL61RVTR](#) [ADTSGL61SVTR](#) [ADTSGL62KVTR](#) [ADTSGL62NVTR](#)  
[ADTSGL62RVTR](#) [ADTSGL62SVTR](#) [ADTSGZM61NVTR](#) [ADTSL60KVTR](#) [ADTSL60RVTR](#) [ADTSL60SVTR](#)  
[ADTSL61KVTR](#) [ADTSL61NVTR](#) [ADTSL61RVTR](#) [ADTSL61SVTR](#) [ADTSL61YVTR](#) [ADTSL62KVTR](#) [ADTSL62NSVTR](#)  
[ADTSL62NVTR](#) [ADTSL62RVTR](#) [ADTSL62SVTR](#) [ADTSM21NV](#) [ADTSM21NVTR](#) [ADTSM21RV](#) [ADTSM21RVTR](#)  
[ADTSM24NV](#) [ADTSM24NVTR](#)