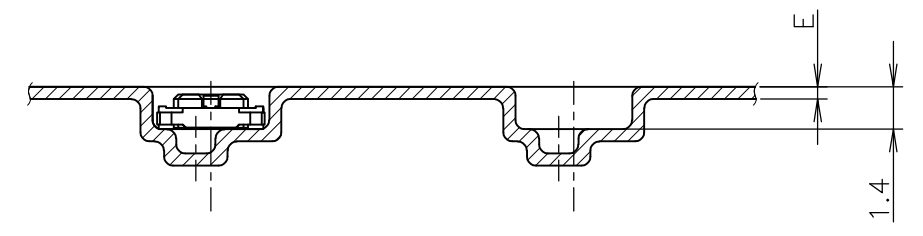
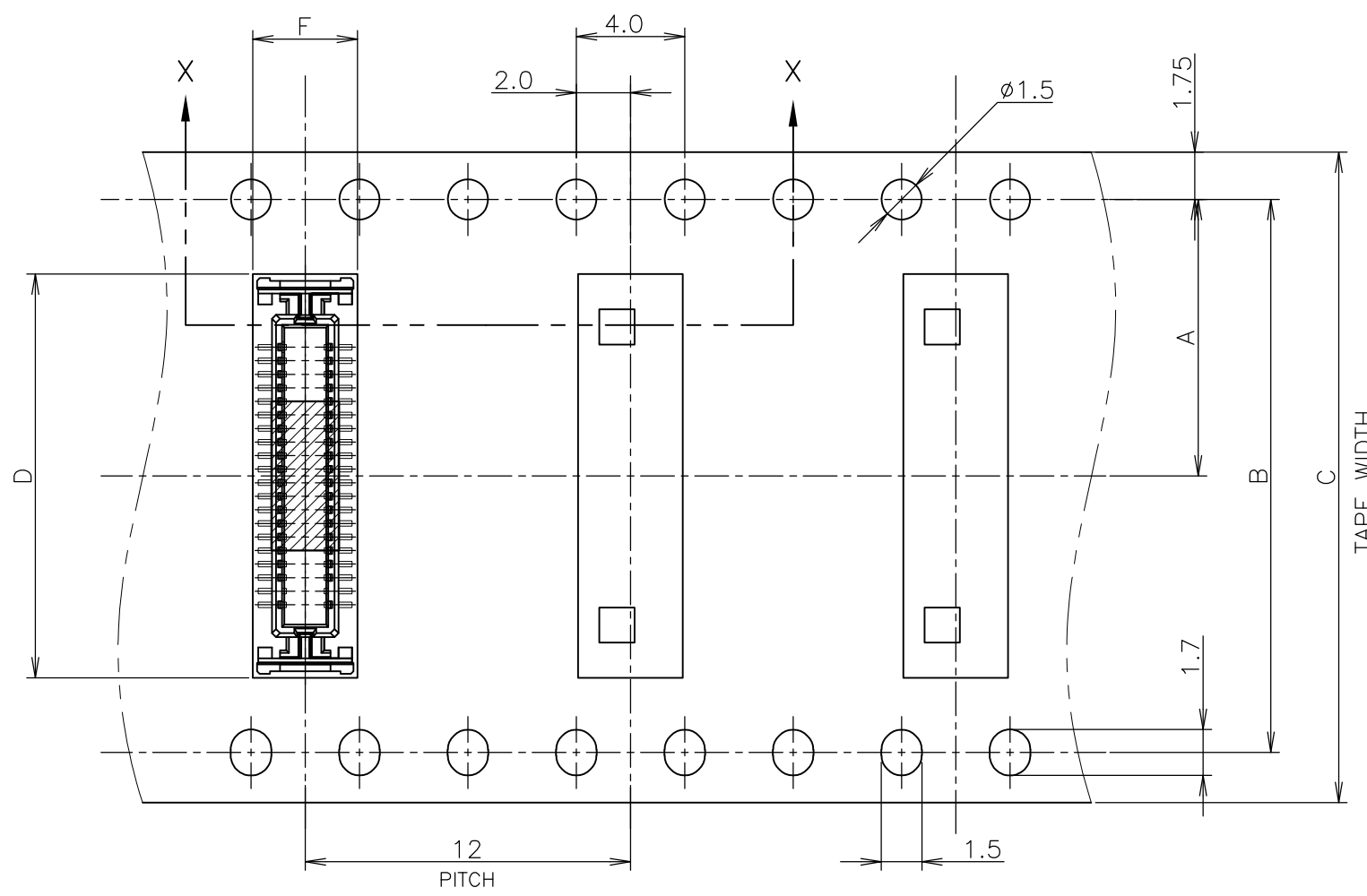


THIS DRAWING IS UNPUBLISHED. RELEASED FOR PUBLICATION NOV. 2004. ALL RIGHTS RESERVED.

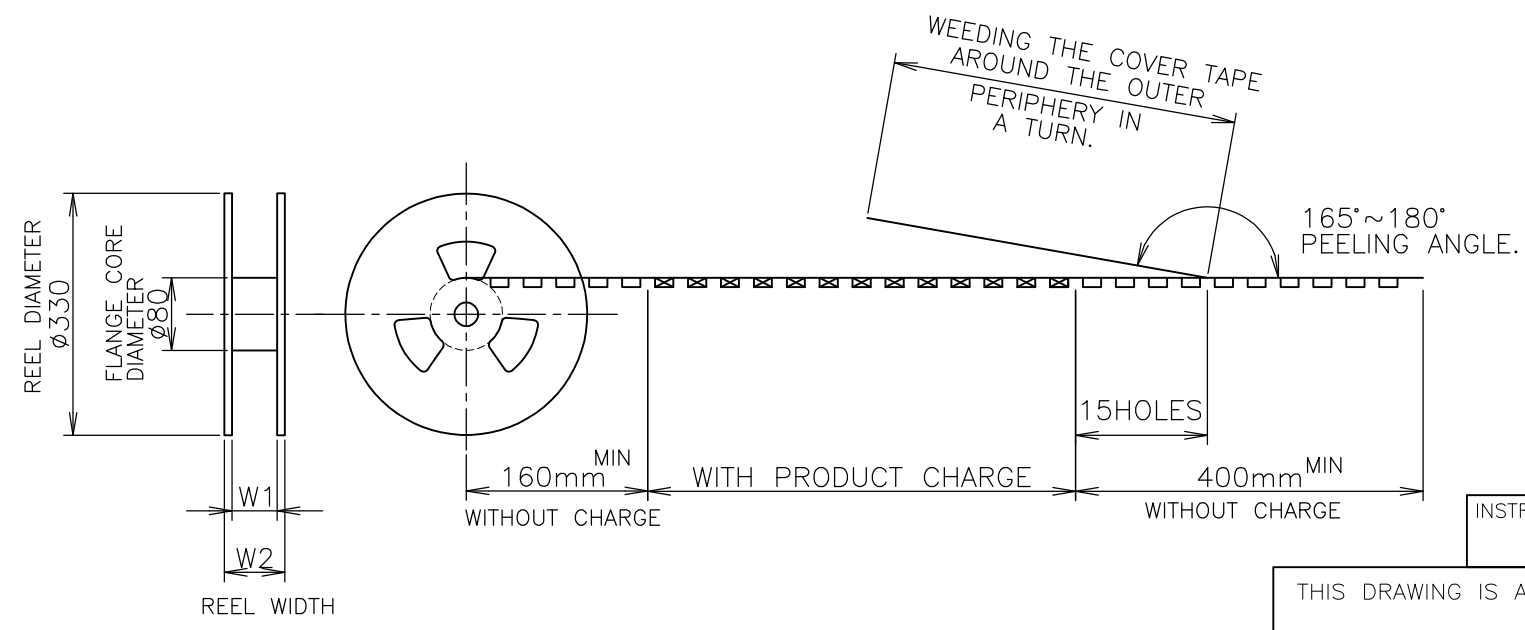
LOC	DIST	REVISIONS					
J	/	P	LTR	DESCRIPTION	DATE	DWN	APVD
		G		REVISED PER ECR-11-002357	05MAY11	TT	TM
		H		ECR-13-012512	09AUG2013	IT	WKH



- 1 MATING COUNTER PART NUMBER: 5353158
- △2 MATERIAL  
HOUSING: HIGH HEAT-RESISTED  
CONTACT: COPPER ALLOY (t=0.15), Au-PLT  
SOLDER PEG: COPPER ALLOY (t=0.15), TIN-PLT
- △3 CONTACT: CONTACT POINT Au-PLT. 0.00076 MIN.
- △4 HSG: LCP VERSION
- △5 SUPERSEDED LIST

FROM	TO
7-5353164-0	7-5353164-7
7-5353164-5	7-5353164-6
8-5353164-0	8-5353164-6

TOP OF REEL →



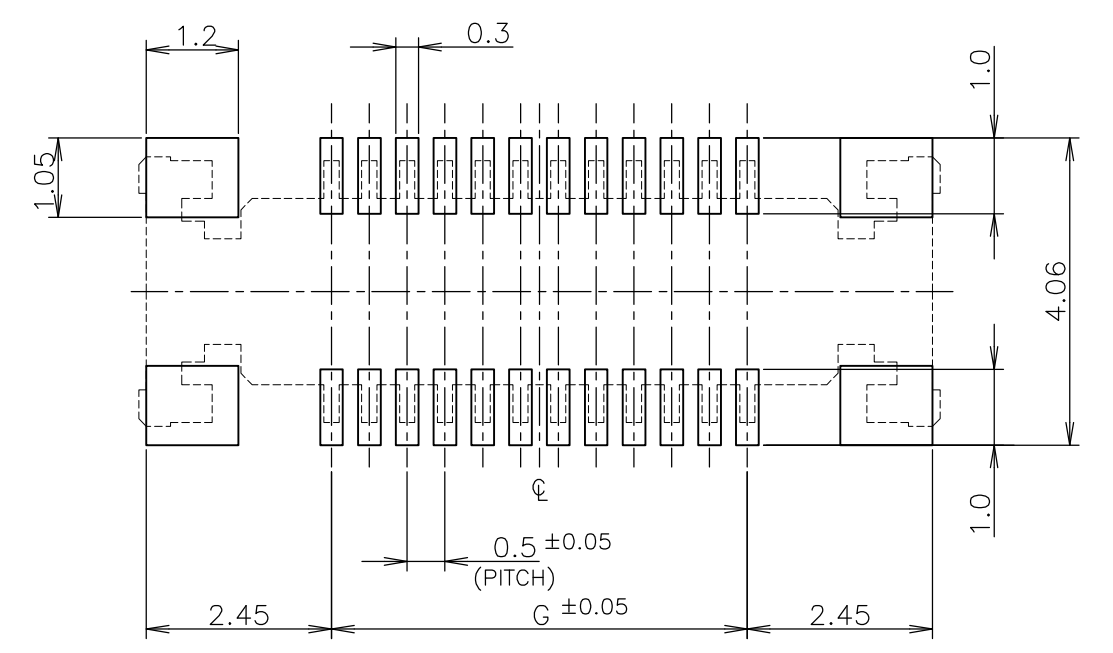
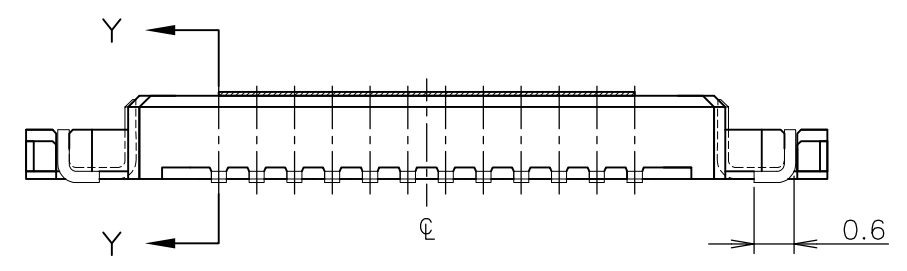
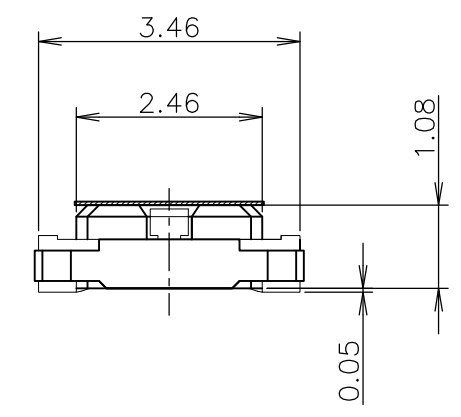
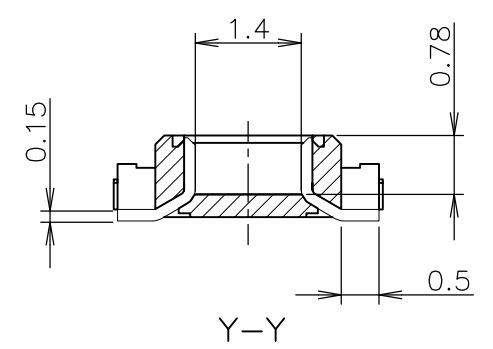
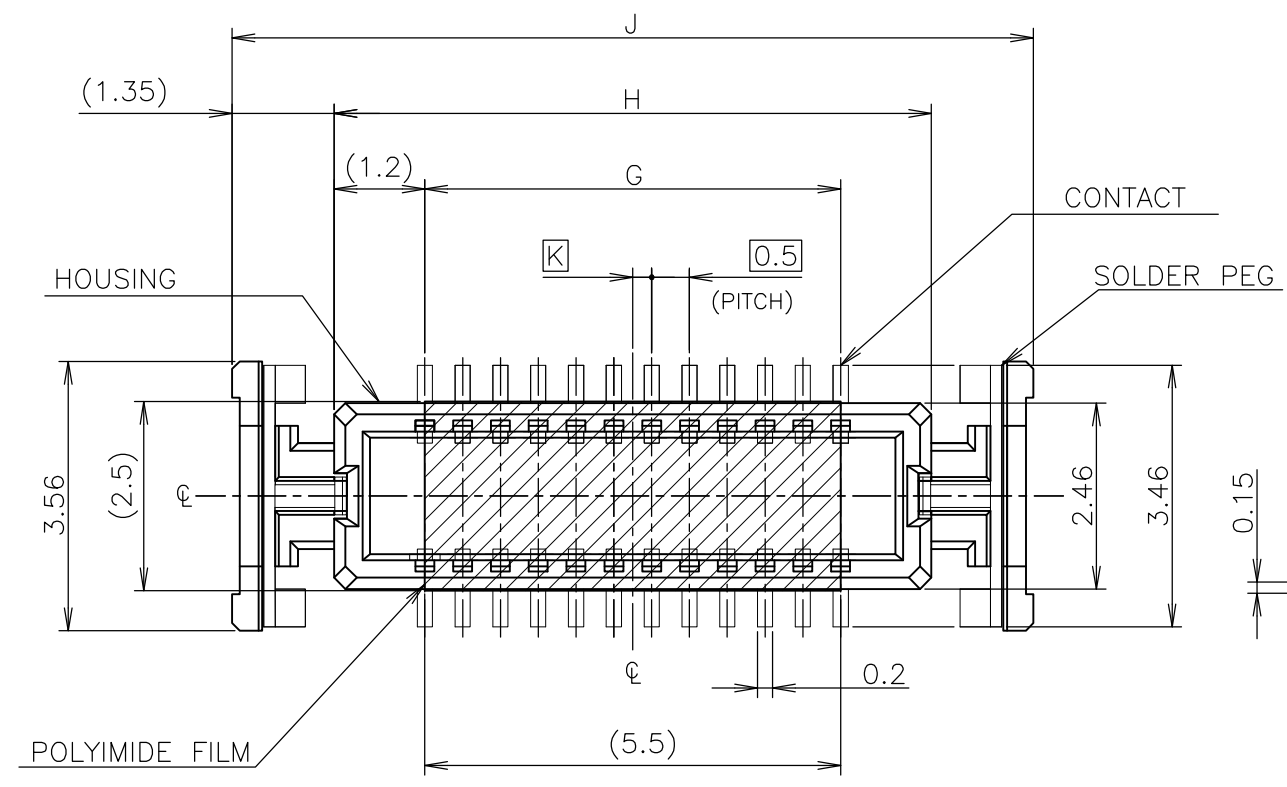
△	W2	W1	F	E	D	C	B	A	QTY/REEL	POS	TAPING P/N
△4	48.7	45.5	3.86	0.4	24.9	44	40.4	20.2	1500	80	8-5353164-7
△4	48.7	45.5	3.86	0.4	24.9	44	40.4	20.2	1500	80	8-5353164-6
(H) OBSOLETE	48.7	45.5	3.86	0.4	24.9	44	40.4	20.2	1500	80	<del>8-5353164-5</del>
△5	48.7	45.5	3.86	0.4	24.9	44	40.4	20.2	1500	80	<del>8-5353164-0</del>
△4	48.7	45.5	3.86	0.4	22.4	44	40.4	20.2	1500	70	7-5353164-7
△4	48.7	45.5	3.86	0.4	22.4	44	40.4	20.2	1500	70	7-5353164-6
△5	48.7	45.5	3.86	0.4	22.4	44	40.4	20.2	1500	70	<del>7-5353164-5</del>
△5	48.7	45.5	3.86	0.4	22.4	44	40.4	20.2	1500	70	<del>7-5353164-0</del>
△4	37.5	33.5	3.8	0.4	19.85	32	28.4	14.2	1500	60	6-5353164-6
	37.5	33.5	3.8	0.4	19.85	32	28.4	14.2	1500	60	6-5353164-5
(H) OBSOLETE	37.5	33.5	3.8	0.4	19.85	32	28.4	14.2	1500	60	<del>6-5353164-0</del>
(G) OBSOLETE	29.5	25.5	3.8	0.4	17.35	24	---	11.5	1500	50	5-5353164-5

INSTRUCTION SHEET 411-5781

THIS DRAWING IS A CONTROLLED DOCUMENT.		DWN J.ZHU 04NOV2004	TE Connectivity			
		CHK S.YAO 04NOV2004				
		APVD I.ENOMOTO 04NOV2004	NAME 名称			
DIMENSIONS: 单位: 耗 mm		PRODUCT SPEC 製品規格 108-60048		ON TAPING EMBOSS		
TOLERANCES UNLESS OTHERWISE SPECIFIED: 一般公差		APPLICATION SPEC 取付適用規格		0.5mm PITCH FS CONN.		
0 PLC ± 0.2		WEIGHT		TAB ASSEMBLY WITH FILM		
1 PLC ± 0.2		CUSTOMER DRAWING		SIZE A3	CAGE CODE 00779	DRAWING NO. C-5353164
2 PLC ± 0.2				RESTRICTED TO		
3 PLC ± 0.2				SCALE 尺度 4:1		
4 PLC ± 0.2				SHEET 1 OF 2		
ANGLES ± 3'				REV H		
FINISH 仕上						

THIS DRAWING IS UNPUBLISHED. RELEASED FOR PUBLICATION NOV. 2004.  
 © COPYRIGHT 2004 By - ALL RIGHTS RESERVED.

LOC	DIST	REVISIONS					
		P	LTR	DESCRIPTION	DATE	DWN	APVD
J	-	-	-	SEE SHEET 1	-	-	-



(T=0.6 MIN.)  
P.C. BOARD LAYOUT (REF.)

△4	△3	0.25	24.6	21.9	19.5	80	8-5353164-7
△4	△3	0.25	24.6	21.9	19.5	80	8-5353164-6
(H) OBSOLETE	△3	0.25	24.6	21.9	19.5	80	<del>8-5353164-5</del>
	△5	<del>0.25</del>	<del>24.6</del>	<del>21.9</del>	<del>19.5</del>	<del>80</del>	<del>8-5353164-0</del>
	△4	---	22.1	19.4	17	70	7-5353164-7
△4	△3	---	22.1	19.4	17	70	7-5353164-6
△5	△3	---	22.1	19.4	17	70	<del>7-5353164-5</del>
	△5	---	22.1	19.4	17	70	<del>7-5353164-0</del>
△4	△3	0.25	19.6	16.9	14.5	60	6-5353164-6
	△3	0.25	19.6	16.9	14.5	60	6-5353164-5
(H) OBSOLETE		0.25	19.6	16.9	14.5	60	<del>6-5353164-0</del>
(G) OBSOLETE		---	17.1	14.4	12.0	50	5-5353164-5

INSTRUCTION SHEET		DIMENSION		POS.	PART NO.
411-5781		K	J	H	G
DWN		TE Connectivity ON TAPING EMBOSS 0.5mm PITCH FS CONN. TAB ASSEMBLY WITH FILM			
CHK					
APVD					
PRODUCT SPEC					
APPLICATION SPEC		SIZE	CAGE CODE	DRAWING NO	RESTRICTED TO
WEIGHT		A3	00779	G-5353164	-
CUSTOMER DRAWING		SCALE	SHEET	REV	
		10:1	2 OF 2	H	

DIMENSIONS:		TOLERANCES UNLESS OTHERWISE SPECIFIED:	
单位: 耗	mm	一般公差	
0 PLC	± 0.2	1 PLC	± 0.2
2 PLC	± 0.2	3 PLC	± 0.2
4 PLC	± 0.2	ANGLES	± 3'
MATERIAL	材料	FINISH	仕上
△		△	

# Mouser Electronics

Authorized Distributor

Click to View Pricing, Inventory, Delivery & Lifecycle Information:

[TE Connectivity:](#)

[8-5353164-6](#)