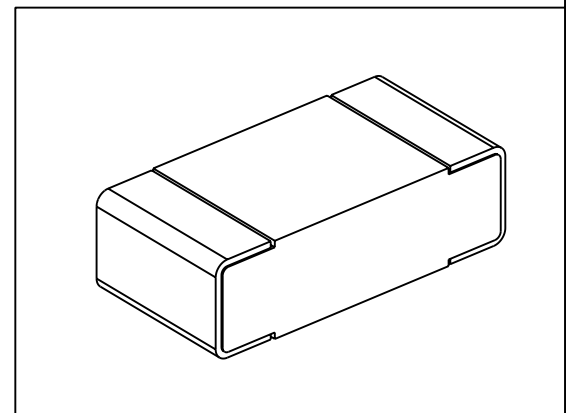
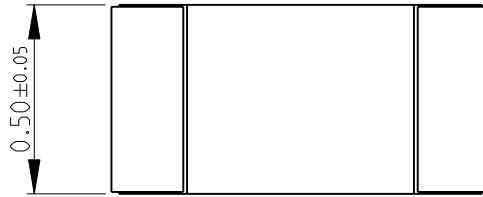


LOC	DIST	REVISIONS			
P	LTR	DESCRIPTION	DATE	DWN	APVD
E	B	BA1	REVISED PER ECO-11-005150	29MAR2011	RK HMR

FOR FURTHER INFORMATION SEE DATA SHEET FOR
CPF SERIES-THIN FILM PRECISION CHIP RESISTORS



RoHS Compliant

2008


RELEASED FOR PUBLICATION

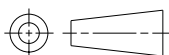
ALL RIGHTS RESERVED.

BY -

© COPYRIGHT 2008

THIS DRAWING IS UNPUBLISHED.

DIMENSIONS: mm	DWN	27-Sep-08	MATERIAL	-	FINISH	-
	CHK	27-Sep-08	 TE Connectivity			
TOLERANCES UNLESS OTHERWISE SPECIFIED:	APVD	27-Sep-08				
	0 PLC	± 0.2	PRODUCT SPEC	SERIES CPF 0402		
1 PLC	± 0.1	-	SIZE	CAGE CODE	DRAWING NO	RESTRICTED TO
2 PLC	± -	-	A 4	00779	©- 1879208	-
3 PLC	± -	-	CUSTOMER DRAWING			
4 PLC	± -	-	SCALE	50:1	SHEET	1 OF 1
ANGLES	± 5°	-	REV BA1			



Mouser Electronics

Authorized Distributor

Click to View Pricing, Inventory, Delivery & Lifecycle Information:

[TE Connectivity:](#)

[CPF0402B11KE1](#)