

## ADVANCED REGULATING PULSE WIDTH MODULATORS

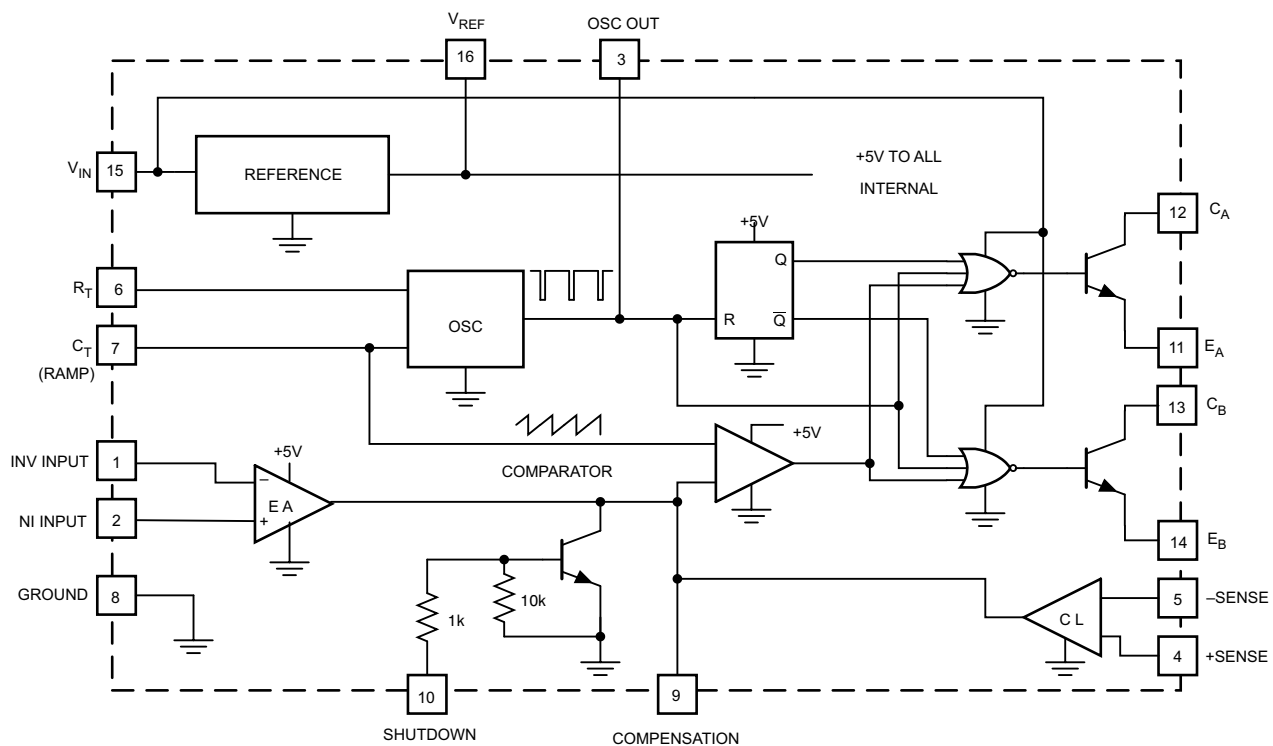
### FEATURES

- Complete PWM Power Control Circuitry
- Uncommitted Outputs for Single-Ended or Push-Pull Applications
- Low Standby Current . . . 8 mA Typical
- Interchangeable With SG1524, SG2524 and SG3524, Respectively

### DESCRIPTION

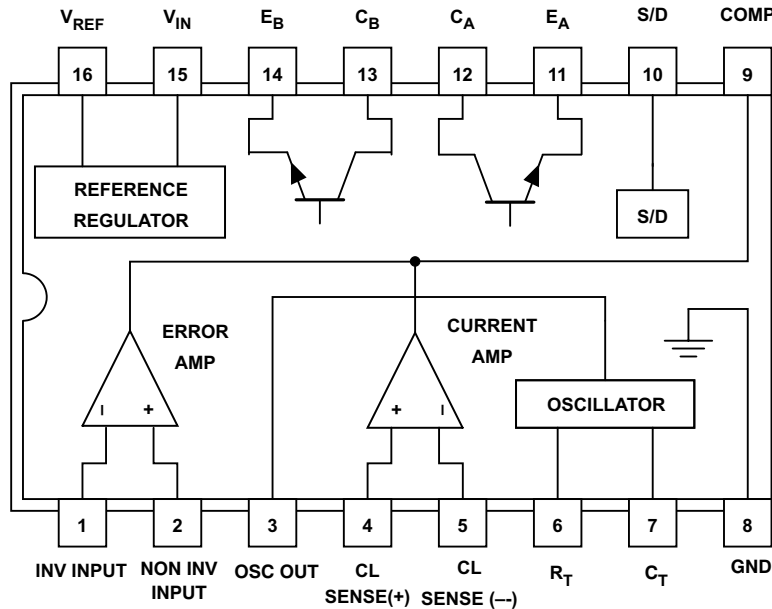
The UC1524, UC2524 and UC3524 incorporate on a single monolithic chip all the functions required for the construction of regulating power supplies, inverters or switching regulators. They can also be used as the control element for high-power-output applications. The UC1524 family was designed for switching regulators of either polarity, transformer-coupled dc-to-dc converters, transformerless voltage doublers and polarity converter applications employing fixed-frequency, pulse-width modulation techniques. The dual alternating outputs allow either single-ended or push-pull applications. Each device includes an on-chip reference, error amplifier, programmable oscillator, pulse-steering flip-flop, two uncommitted output transistors, a high-gain comparator, and current-limiting and shut-down circuitry. The UC1524 is characterized for operation over the full military temperature range of  $-55^{\circ}\text{C}$  to  $125^{\circ}\text{C}$ . The UC2524 and UC3524 are designed for operation from  $-25^{\circ}\text{C}$  to  $85^{\circ}\text{C}$  and  $0^{\circ}\text{C}$  to  $70^{\circ}\text{C}$ , respectively.

### BLOCK DIAGRAM



Please be aware that an important notice concerning availability, standard warranty, and use in critical applications of Texas Instruments semiconductor products and disclaimers thereto appears at the end of this data sheet.

### CONNECTION DIAGRAM



### ABSOLUTE MAXIMUM RATINGS

over operating free-air temperature range (unless otherwise noted)

		UNIT
$V_{CC}$	Supply voltage <sup>(1)(2)</sup>	40 V
	Collector output current	100 mA
	Reference output current	50 mA
	Current through $C_T$ terminal <sup>g</sup>	-50 mA
Power dissipation	$T_A = 25^\circ\text{C}^{(3)}$	1000 mW
	$T_C = 25^\circ\text{C}^{(3)}$	2000 mW
	Operating junction temperature range	-55°C to 150°C
	Storage temperature range	-65°C to +150°C

- (1) All voltage values are with respect to the ground terminal, pin 8.
- (2) The reference regulator may be bypassed for operation from a fixed 5 V supply by connecting the  $V_{CC}$  and reference output pins both to the supply voltage. In this configuration the maximum supply voltage is 6 V.
- (3) Consult packaging section of data book for thermal limitations and considerations of package.

### RECOMMENDED OPERATING CONDITIONS

over operating free-air temperature range (unless otherwise noted)

		MIN	NOM	MAX	UNIT
$V_{CC}$	Supply voltage	8		40	V
	Reference output current	0		20	mA
	Current through $C_T$ terminal	-0.03		-2	mA
$R_T$	Timing resistor	1.8		100	k $\Omega$
$C_T$	Timing capacitor	0.001		0.1	$\mu\text{F}$
Operating ambient temperature range	UC1524	-55		125	°C
	UC2524	-25		85	
	UC3524	0		70	

## ELECTRICAL CHARACTERISTICS

these specifications apply for  $T_A = -55^\circ\text{C}$  to  $125^\circ\text{C}$  for the UC1524,  $-25^\circ\text{C}$  to  $85^\circ\text{C}$  for the UC2524, and  $0^\circ\text{C}$  to  $70^\circ\text{C}$  for the UC3524,  $V_{IN} = 20\text{ V}$ , and  $f = 20\text{ kHz}$ ,  $T_A = T_J$ , over operating free-air temperature range (unless otherwise noted)

PARAMETER	TEST CONDITIONS	UC1524/UC2524			UC3524			UNIT
		MIN	TYP	MAX	MIN	TYP	MAX	
<b>REFERENCE SECTION</b>								
Output voltage		4.8	5.0	5.2	4.6	5.0	5.4	V
Line regulation	$V_{IN} = 8\text{ V to }40\text{ V}$		10	20		10	30	mV
Load regulation	$I_L = 0\text{ mA to }20\text{ mA}$		20	50		20	50	mV
Ripple rejection	$f = 120\text{ Hz}$ , $T_J = 25^\circ\text{C}$		66			66		dB
Short circuit current limit	$V_{REF} = 0$ , $T_J = 25^\circ\text{C}$		100			100		mA
Temperature stability	Over operating temperature range		0.3%	1%		0.3%	1%	
Long term stability	$T_J = 125^\circ\text{C}$ , $t = 1000\text{ Hrs}$		20			20		mV
<b>OSCILLATOR SECTION</b>								
Maximum frequency	$C_T = 1\text{ nF}$ , $R_T = 2\text{ k}\Omega$		300			300		kHz
Initial accuracy	$R_T$ and $C_T$ constant		5%			5%		
Voltage stability	$V_{IN} = 8\text{ V to }40\text{ V}$ , $T_J = 25^\circ\text{C}$			1%			1%	
Temperature stability	Over operating temperature range			5%			5%	
Output amplitude	Pin 3, $T_J = 25^\circ\text{C}$		3.5			3.5		V
Output pulse width	$C_T = 0.01\text{ mfd}$ , $T_J = 25^\circ\text{C}$		0.5			0.5		$\mu\text{s}$
<b>ERROR AMPLIFIER SECTION</b>								
Input offset voltage	$V_{CM} = 2.5\text{ V}$		0.5	5		2	10	mV
Input bias current	$V_{CM} = 2.5\text{ V}$		2	10		2	10	$\mu\text{A}$
Open loop voltage gain		72	80		60	80		dB
Common mode voltage	$T_J = 25^\circ\text{C}$	1.8		3.4	1.8		3.4	V
Common mode rejection ratio	$T_J = 25^\circ\text{C}$		70			70		dB
Small signal bandwidth	$A_V = 0\text{ dB}$ , $T_J = 25^\circ\text{C}$		3			3		MHz
Output voltage	$T_J = 25^\circ\text{C}$	0.5		3.8	0.5		3.8	V
<b>COMPARATOR SECTION</b>								
Duty-cycle	% Each output on	0%		45%	0%		45%	
Input threshold	Zero duty-cycle		1			1		V
	Maximum duty-cycle		3.5			3.5		
Input bias current			1			1		$\mu\text{A}$
<b>CURRENT LIMITING SECTION</b>								
Sense voltage	Pin 9 = 2 V with error amplifier set for maximum out, $T_J = 25^\circ\text{C}$	190	200	210	180	200	220	mV
Sense voltage T.C.			0.2			0.2		mV/ $^\circ\text{C}$
Common mode voltage	$T_J = -55^\circ\text{C to }85^\circ\text{C}$ for the $-1\text{ V to }1\text{ V}$ limit	-1		1	-1		1	V
	$T_J = 25^\circ\text{C}$	-0.3		1				
<b>OUTPUT SECTION (EACH OUTPUT)</b>								
Collector-emitter voltage		40			40			V
Collector leakage current	$V_{CE} = 40\text{ V}$		0.1	50		0.1	50	$\mu\text{A}$
Saturation voltage	$I_C = 50\text{ mA}$		1	2		1	2	V
Emitter output voltage	$V_{IN} = 20\text{ V}$	17	18		17	18		V
Rise Time	$R_C = 2\text{ k}\Omega$ , $T_J = 25^\circ\text{C}$		0.2			0.2		$\mu\text{s}$
Fall Time	$R_C = 2\text{ k}\Omega$ , $T_J = 25^\circ\text{C}$		0.1			0.1		$\mu\text{s}$
Total standby current (Note)	$V_{IN} = 40\text{ V}$		8	10		8	10	mA

## PRINCIPLES OF OPERATION

The UC1524 is a fixed-frequency pulse-width-modulation voltage regulator control circuit. The regulator operates at a frequency that is programmed by one timing resistor ( $R_T$ ), and one timing capacitor ( $C_T$ ),  $R_T$  establishes a constant charging current for  $C_T$ . This results in a linear voltage ramp at  $C_T$ , which is fed to the comparator providing linear control of the output pulse width by the error amplifier. The UC1524 contains an on-board 5 V regulator that serves as a reference as well as powering the UC1524's internal control circuitry and is also useful in supplying external support functions. This reference voltage is lowered externally by a resistor divider to provide a reference within the common-mode range of the error amplifier or an external reference may be used. The power supply output is sensed by a second resistor divider network to generate a feedback signal to the error amplifier. The amplifier output voltage is then compared to the linear voltage ramp at  $C_T$ . The resulting modulated pulse out of the high-gain comparator is then steered to the appropriate output pass transistor ( $Q_1$  or  $Q_2$ ) by the pulse-steering

flip-flop, which is synchronously toggled by the oscillator output. The oscillator output pulse also serves as a blanking pulse to assure both outputs are never on simultaneously during the transition times. The width of the blanking pulse is controlled by the value of  $C_T$ . The outputs may be applied in a push-pull configuration in which their frequency is half that of the base oscillator. Note that for buck regulator topologies, the two outputs can be wire-ORed for an effective 0-90% duty cycle range. With this connection, the output frequency is the same as the oscillator frequency. The output of the error amplifier shares a common input to the comparator with the current limiting and shutdown circuitry and can be overridden by signals from either of these inputs. This common point is also available externally and may be employed to control the gain of, or to compensate, the error amplifier or to provide additional control to the regulator.

TYPICAL CHARACTERISTICS

OPEN-LOOP VOLTAGE AMPLIFICATION  
OF ERROR AMPLIFIER  
VS  
FREQUENCY

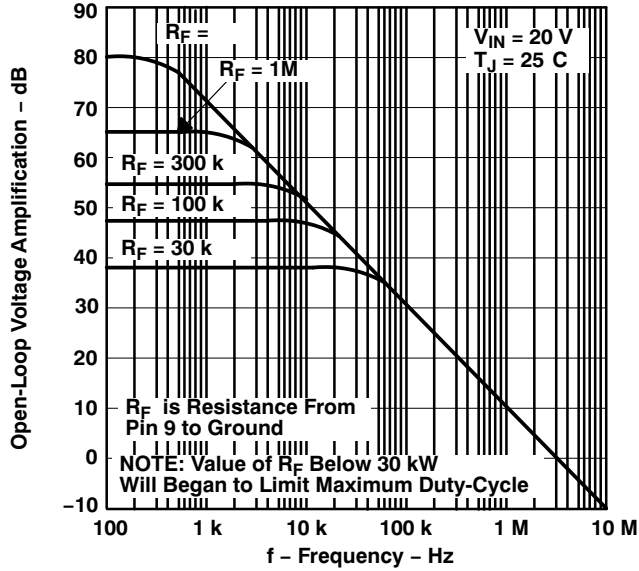


Figure 1.

OSCILLATOR FREQUENCY  
VS  
TIMING COMPONENTS

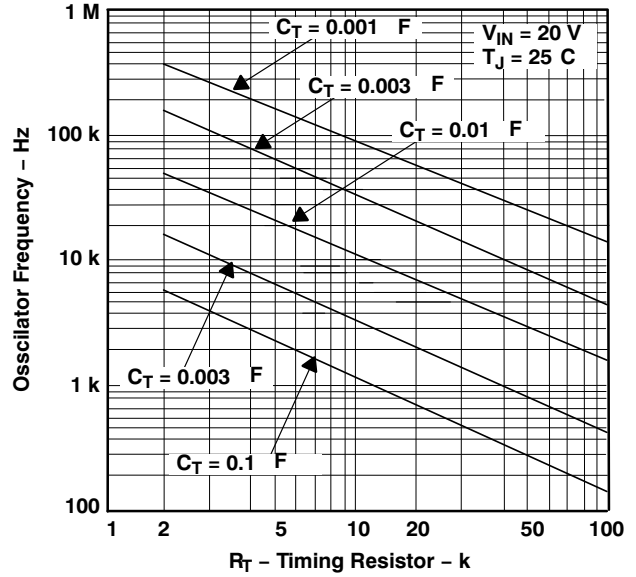


Figure 2.

OUTPUT DEAD TIME  
VS  
TIMING CAPACITANCE VALUE

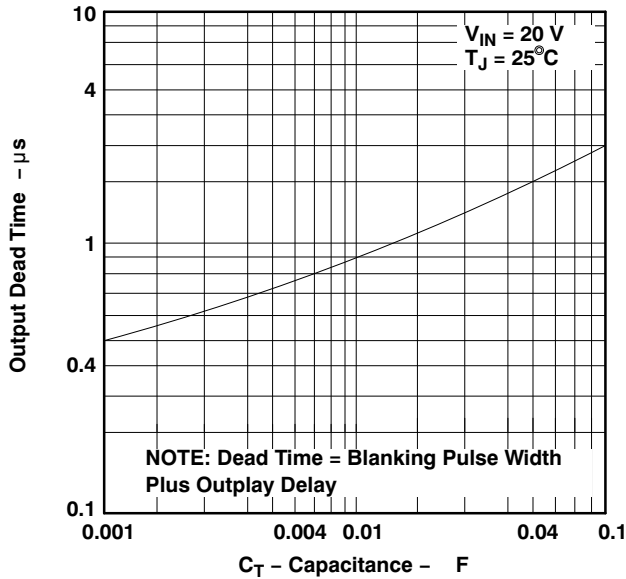


Figure 3.

OUTPUT SATURATION VOLTAGE  
VS  
LOAD CURRENT

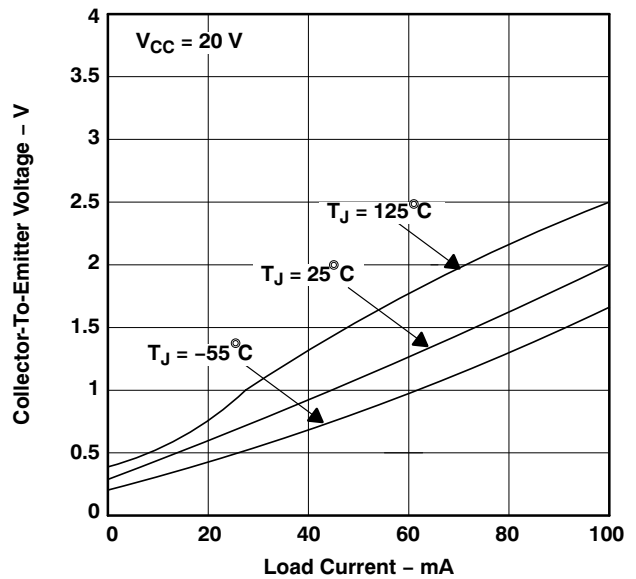


Figure 4.



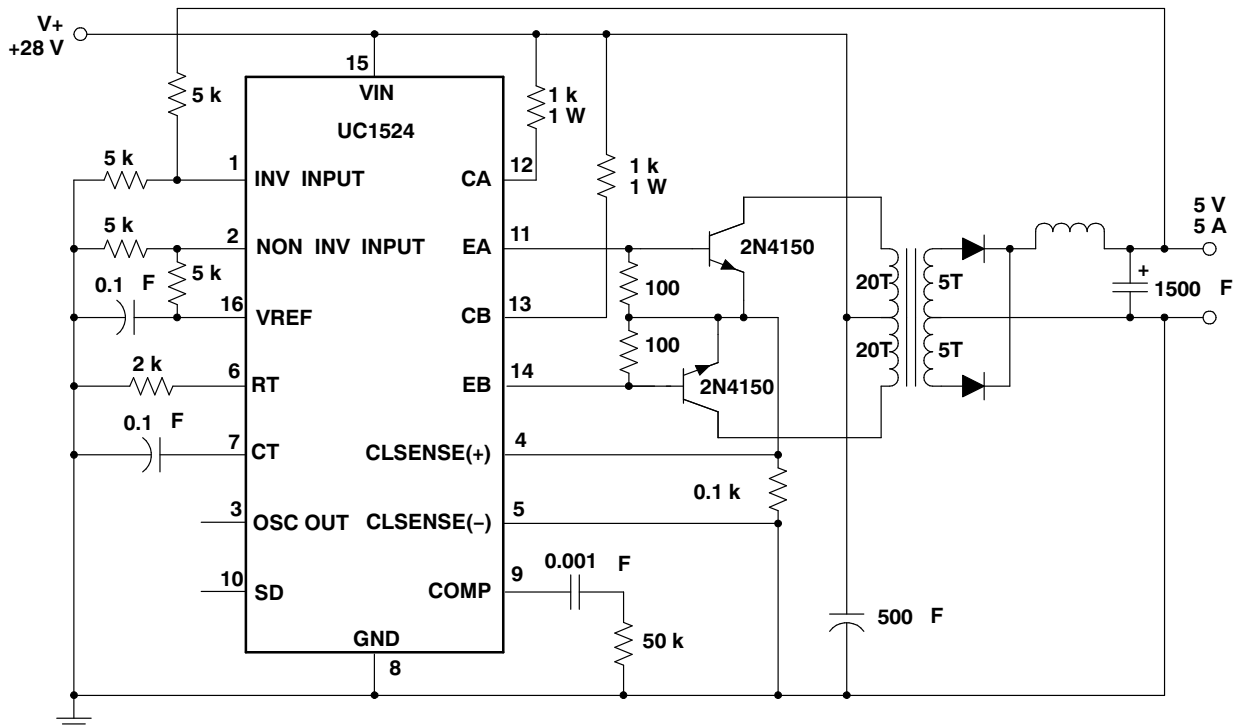


Figure 7. Push-Pull Transformer Coupled Circuit

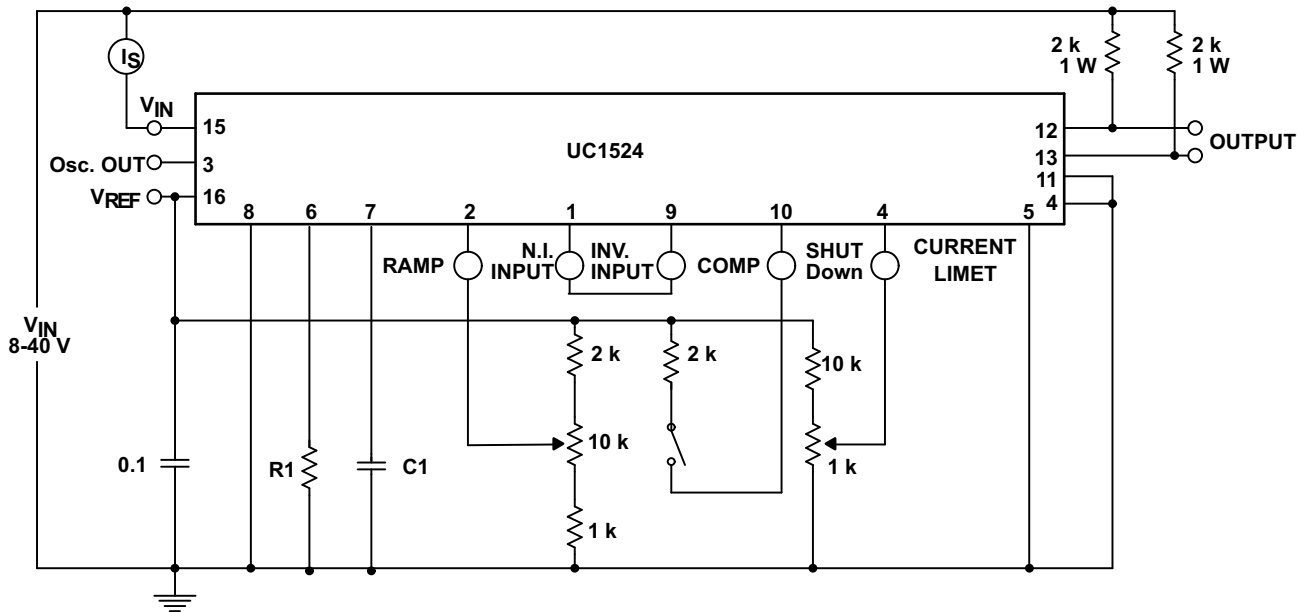


Figure 8. Open Loop Test Circuit

**PACKAGING INFORMATION**

Orderable Device	Status (1)	Package Type	Package Drawing	Pins	Package Qty	Eco Plan (2)	Lead/Ball Finish (6)	MSL Peak Temp (3)	Op Temp (°C)	Device Marking (4/5)	Samples
UC2524DW	ACTIVE	SOIC	DW	16	40	Green (RoHS & no Sb/Br)	NIPDAU	Level-2-260C-1 YEAR	-25 to 85	UC2524DW	<a href="#">Samples</a>
UC3524D	ACTIVE	SOIC	D	16	40	Green (RoHS & no Sb/Br)	NIPDAU	Level-2-260C-1 YEAR	0 to 70	UC3524D	<a href="#">Samples</a>
UC3524DW	ACTIVE	SOIC	DW	16	40	Green (RoHS & no Sb/Br)	NIPDAU	Level-2-260C-1 YEAR	0 to 70	UC3524DW	<a href="#">Samples</a>
UC3524DWTR	ACTIVE	SOIC	DW	16	2000	Green (RoHS & no Sb/Br)	NIPDAU	Level-2-260C-1 YEAR	0 to 70	UC3524DW	<a href="#">Samples</a>

(1) The marketing status values are defined as follows:

**ACTIVE:** Product device recommended for new designs.

**LIFEBUY:** TI has announced that the device will be discontinued, and a lifetime-buy period is in effect.

**NRND:** Not recommended for new designs. Device is in production to support existing customers, but TI does not recommend using this part in a new design.

**PREVIEW:** Device has been announced but is not in production. Samples may or may not be available.

**OBSELETE:** TI has discontinued the production of the device.

(2) **RoHS:** TI defines "RoHS" to mean semiconductor products that are compliant with the current EU RoHS requirements for all 10 RoHS substances, including the requirement that RoHS substance do not exceed 0.1% by weight in homogeneous materials. Where designed to be soldered at high temperatures, "RoHS" products are suitable for use in specified lead-free processes. TI may reference these types of products as "Pb-Free".

**RoHS Exempt:** TI defines "RoHS Exempt" to mean products that contain lead but are compliant with EU RoHS pursuant to a specific EU RoHS exemption.

**Green:** TI defines "Green" to mean the content of Chlorine (Cl) and Bromine (Br) based flame retardants meet JS709B low halogen requirements of <=1000ppm threshold. Antimony trioxide based flame retardants must also meet the <=1000ppm threshold requirement.

(3) MSL, Peak Temp. - The Moisture Sensitivity Level rating according to the JEDEC industry standard classifications, and peak solder temperature.

(4) There may be additional marking, which relates to the logo, the lot trace code information, or the environmental category on the device.

(5) Multiple Device Markings will be inside parentheses. Only one Device Marking contained in parentheses and separated by a "-" will appear on a device. If a line is indented then it is a continuation of the previous line and the two combined represent the entire Device Marking for that device.

(6) Lead/Ball Finish - Orderable Devices may have multiple material finish options. Finish options are separated by a vertical ruled line. Lead/Ball Finish values may wrap to two lines if the finish value exceeds the maximum column width.

**Important Information and Disclaimer:**The information provided on this page represents TI's knowledge and belief as of the date that it is provided. TI bases its knowledge and belief on information provided by third parties, and makes no representation or warranty as to the accuracy of such information. Efforts are underway to better integrate information from third parties. TI has taken and



continues to take reasonable steps to provide representative and accurate information but may not have conducted destructive testing or chemical analysis on incoming materials and chemicals. TI and TI suppliers consider certain information to be proprietary, and thus CAS numbers and other limited information may not be available for release.

In no event shall TI's liability arising out of such information exceed the total purchase price of the TI part(s) at issue in this document sold by TI to Customer on an annual basis.

**TAPE AND REEL INFORMATION**
**REEL DIMENSIONS**

**TAPE DIMENSIONS**

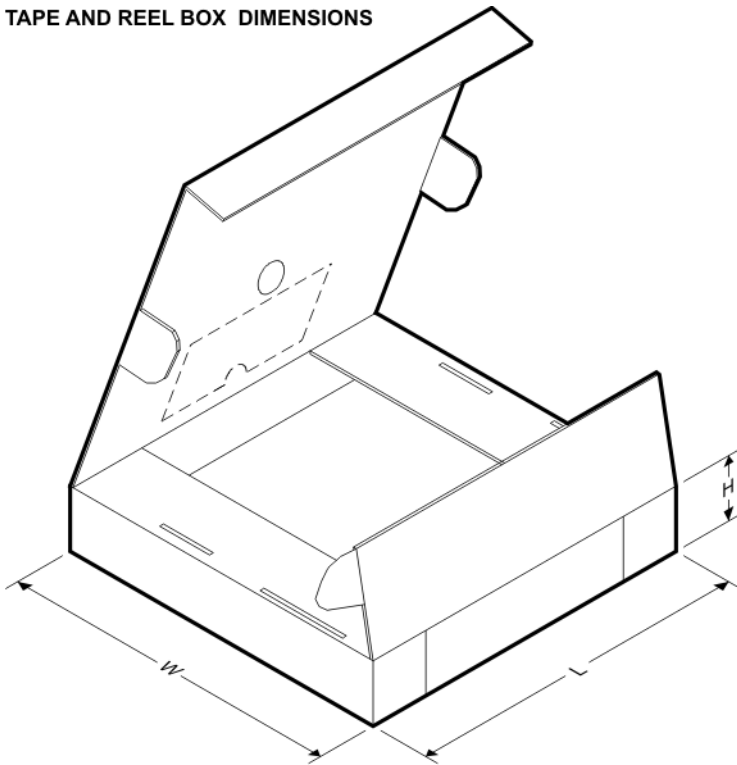

A0	Dimension designed to accommodate the component width
B0	Dimension designed to accommodate the component length
K0	Dimension designed to accommodate the component thickness
W	Overall width of the carrier tape
P1	Pitch between successive cavity centers

**TAPE AND REEL INFORMATION**

\*All dimensions are nominal

Device	Package Type	Package Drawing	Pins	SPQ	Reel Diameter (mm)	Reel Width W1 (mm)	A0 (mm)	B0 (mm)	K0 (mm)	P1 (mm)	W (mm)	Pin1 Quadrant
UC3524DWTR	SOIC	DW	16	2000	330.0	16.4	10.75	10.7	2.7	12.0	16.0	Q1

**TAPE AND REEL BOX DIMENSIONS**



\*All dimensions are nominal

Device	Package Type	Package Drawing	Pins	SPQ	Length (mm)	Width (mm)	Height (mm)
UC3524DWTR	SOIC	DW	16	2000	367.0	367.0	38.0

D (R-PDSO-G16)

PLASTIC SMALL OUTLINE



- NOTES:
- A. All linear dimensions are in inches (millimeters).
  - B. This drawing is subject to change without notice.
  - C. Body length does not include mold flash, protrusions, or gate burrs. Mold flash, protrusions, or gate burrs shall not exceed 0.006 (0,15) each side.
  - D. Body width does not include interlead flash. Interlead flash shall not exceed 0.017 (0,43) each side.
  - E. Reference JEDEC MS-012 variation AC.

D (R-PDSO-G16)

PLASTIC SMALL OUTLINE



4211283-4/E 08/12

- NOTES:
- All linear dimensions are in millimeters.
  - This drawing is subject to change without notice.
  - Publication IPC-7351 is recommended for alternate designs.
  - Laser cutting apertures with trapezoidal walls and also rounding corners will offer better paste release. Customers should contact their board assembly site for stencil design recommendations. Refer to IPC-7525 for other stencil recommendations.
  - Customers should contact their board fabrication site for solder mask tolerances between and around signal pads.

## GENERIC PACKAGE VIEW

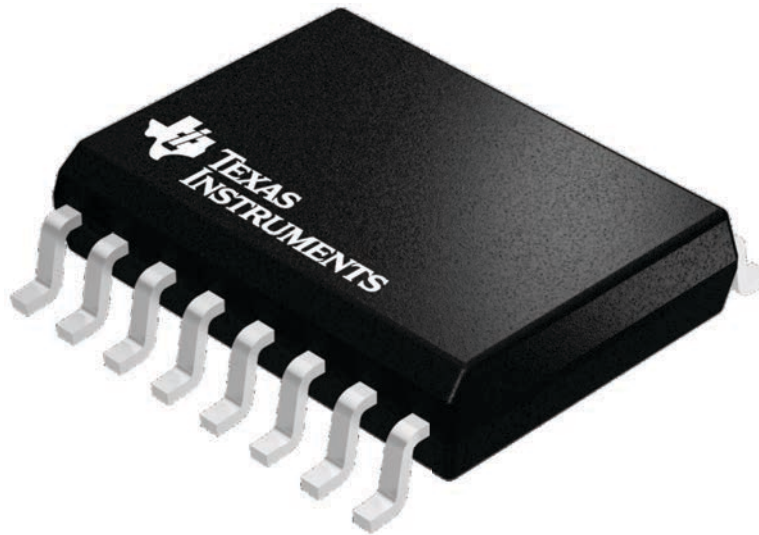
**DW 16**

**SOIC - 2.65 mm max height**

7.5 x 10.3, 1.27 mm pitch

SMALL OUTLINE INTEGRATED CIRCUIT

This image is a representation of the package family, actual package may vary.  
Refer to the product data sheet for package details.



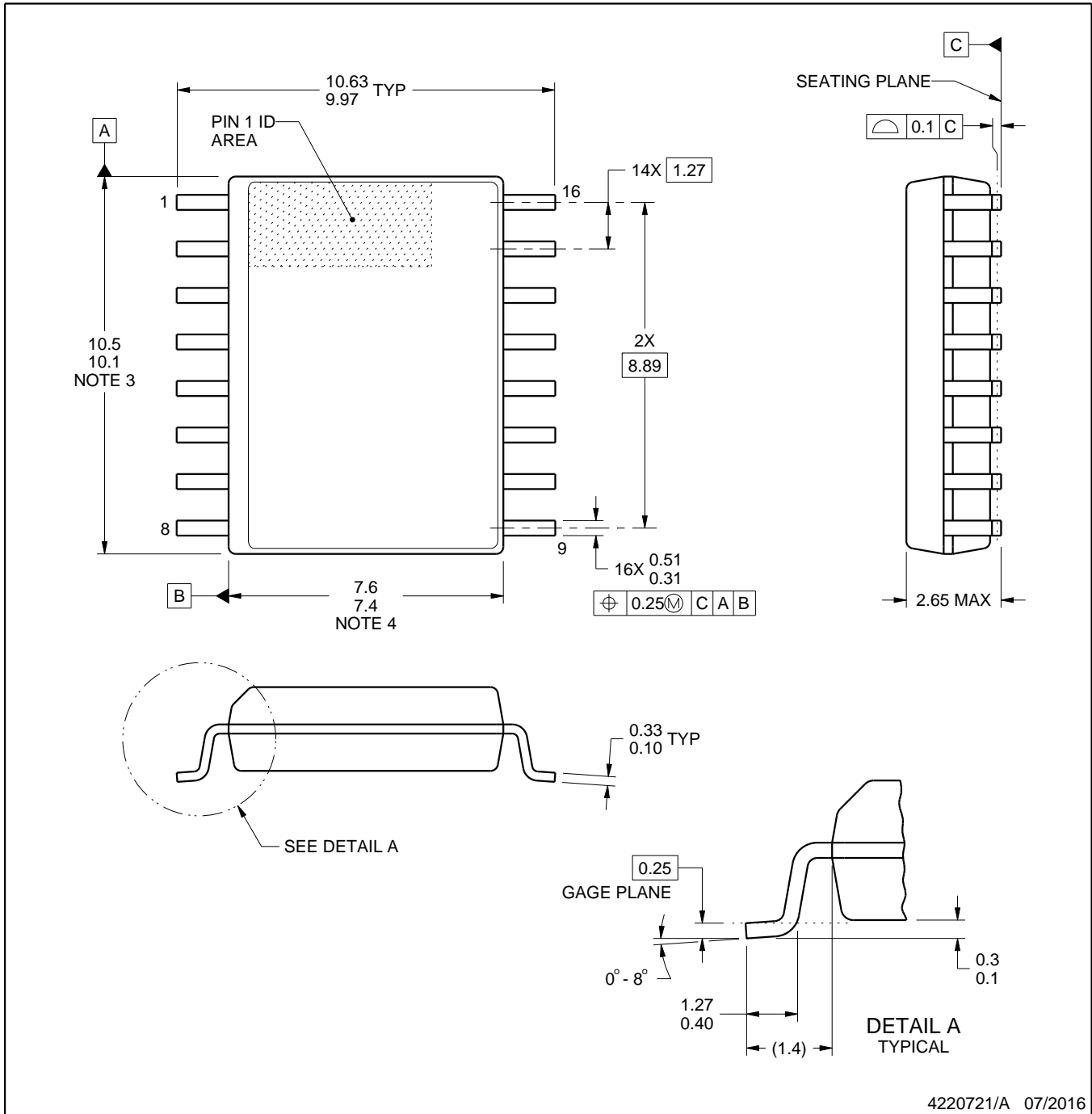
4224780/A



# DW0016A

# PACKAGE OUTLINE SOIC - 2.65 mm max height

SOIC



4220721/A 07/2016

### NOTES:

1. All linear dimensions are in millimeters. Dimensions in parenthesis are for reference only. Dimensioning and tolerancing per ASME Y14.5M.
2. This drawing is subject to change without notice.
3. This dimension does not include mold flash, protrusions, or gate burrs. Mold flash, protrusions, or gate burrs shall not exceed 0.15 mm, per side.
4. This dimension does not include interlead flash. Interlead flash shall not exceed 0.25 mm, per side.
5. Reference JEDEC registration MS-013.

# EXAMPLE BOARD LAYOUT

DW0016A

SOIC - 2.65 mm max height

SOIC



LAND PATTERN EXAMPLE  
SCALE:7X



SOLDER MASK DETAILS

4220721/A 07/2016

NOTES: (continued)

6. Publication IPC-7351 may have alternate designs.

7. Solder mask tolerances between and around signal pads can vary based on board fabrication site.



# EXAMPLE STENCIL DESIGN

DW0016A

SOIC - 2.65 mm max height

SOIC



SOLDER PASTE EXAMPLE  
BASED ON 0.125 mm THICK STENCIL  
SCALE:7X

4220721/A 07/2016

NOTES: (continued)

8. Laser cutting apertures with trapezoidal walls and rounded corners may offer better paste release. IPC-7525 may have alternate design recommendations.
9. Board assembly site may have different recommendations for stencil design.

## IMPORTANT NOTICE AND DISCLAIMER

TI PROVIDES TECHNICAL AND RELIABILITY DATA (INCLUDING DATASHEETS), DESIGN RESOURCES (INCLUDING REFERENCE DESIGNS), APPLICATION OR OTHER DESIGN ADVICE, WEB TOOLS, SAFETY INFORMATION, AND OTHER RESOURCES "AS IS" AND WITH ALL FAULTS, AND DISCLAIMS ALL WARRANTIES, EXPRESS AND IMPLIED, INCLUDING WITHOUT LIMITATION ANY IMPLIED WARRANTIES OF MERCHANTABILITY, FITNESS FOR A PARTICULAR PURPOSE OR NON-INFRINGEMENT OF THIRD PARTY INTELLECTUAL PROPERTY RIGHTS.

These resources are intended for skilled developers designing with TI products. You are solely responsible for (1) selecting the appropriate TI products for your application, (2) designing, validating and testing your application, and (3) ensuring your application meets applicable standards, and any other safety, security, or other requirements. These resources are subject to change without notice. TI grants you permission to use these resources only for development of an application that uses the TI products described in the resource. Other reproduction and display of these resources is prohibited. No license is granted to any other TI intellectual property right or to any third party intellectual property right. TI disclaims responsibility for, and you will fully indemnify TI and its representatives against, any claims, damages, costs, losses, and liabilities arising out of your use of these resources.

TI's products are provided subject to TI's Terms of Sale ([www.ti.com/legal/termsofsale.html](http://www.ti.com/legal/termsofsale.html)) or other applicable terms available either on [ti.com](http://ti.com) or provided in conjunction with such TI products. TI's provision of these resources does not expand or otherwise alter TI's applicable warranties or warranty disclaimers for TI products.

Mailing Address: Texas Instruments, Post Office Box 655303, Dallas, Texas 75265  
Copyright © 2020, Texas Instruments Incorporated