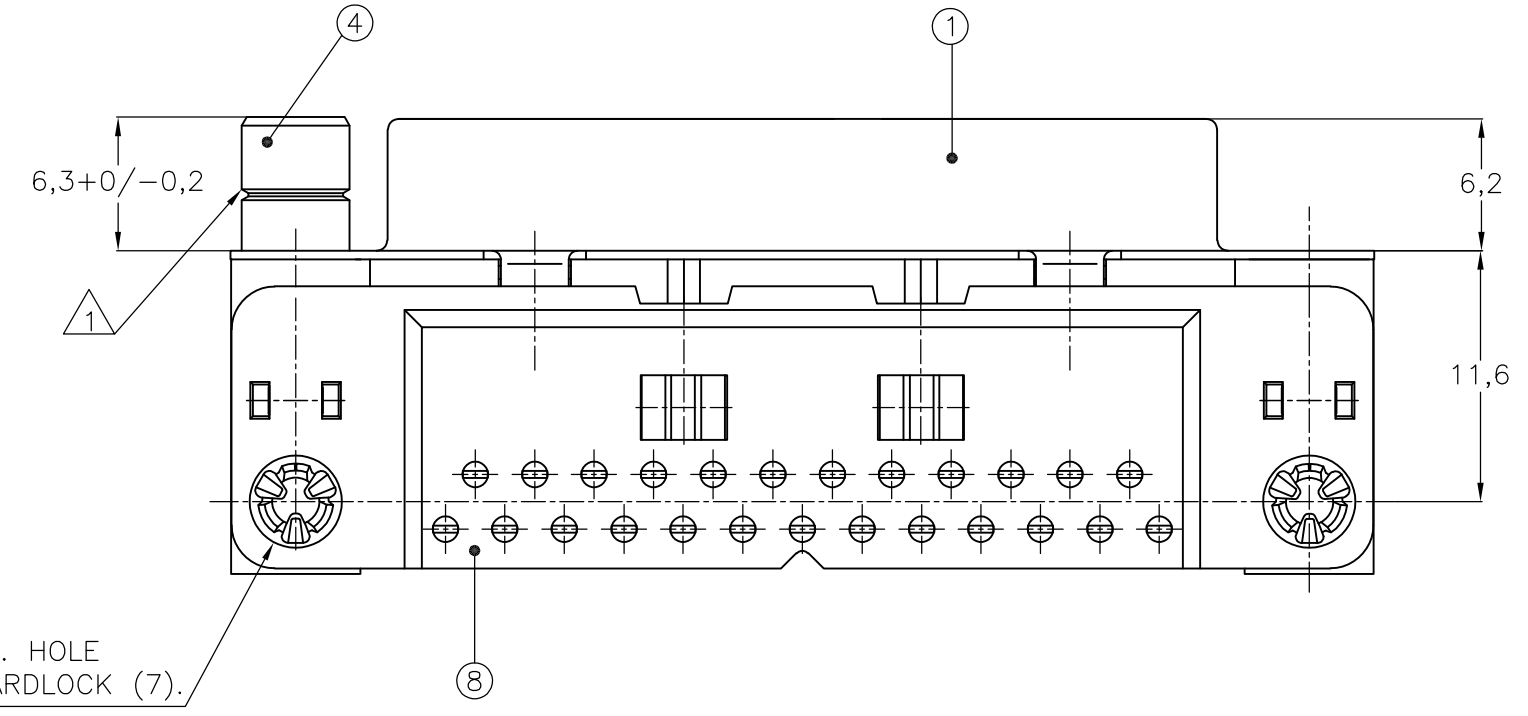
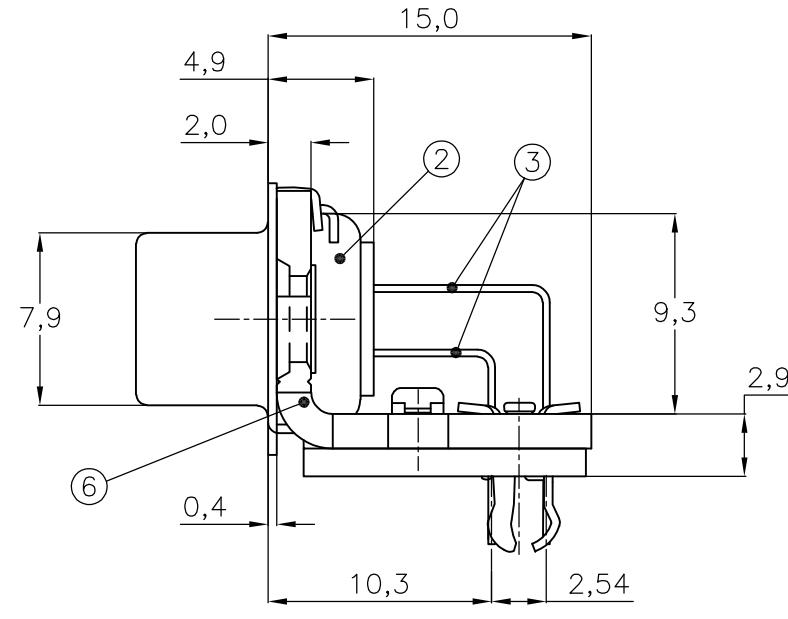
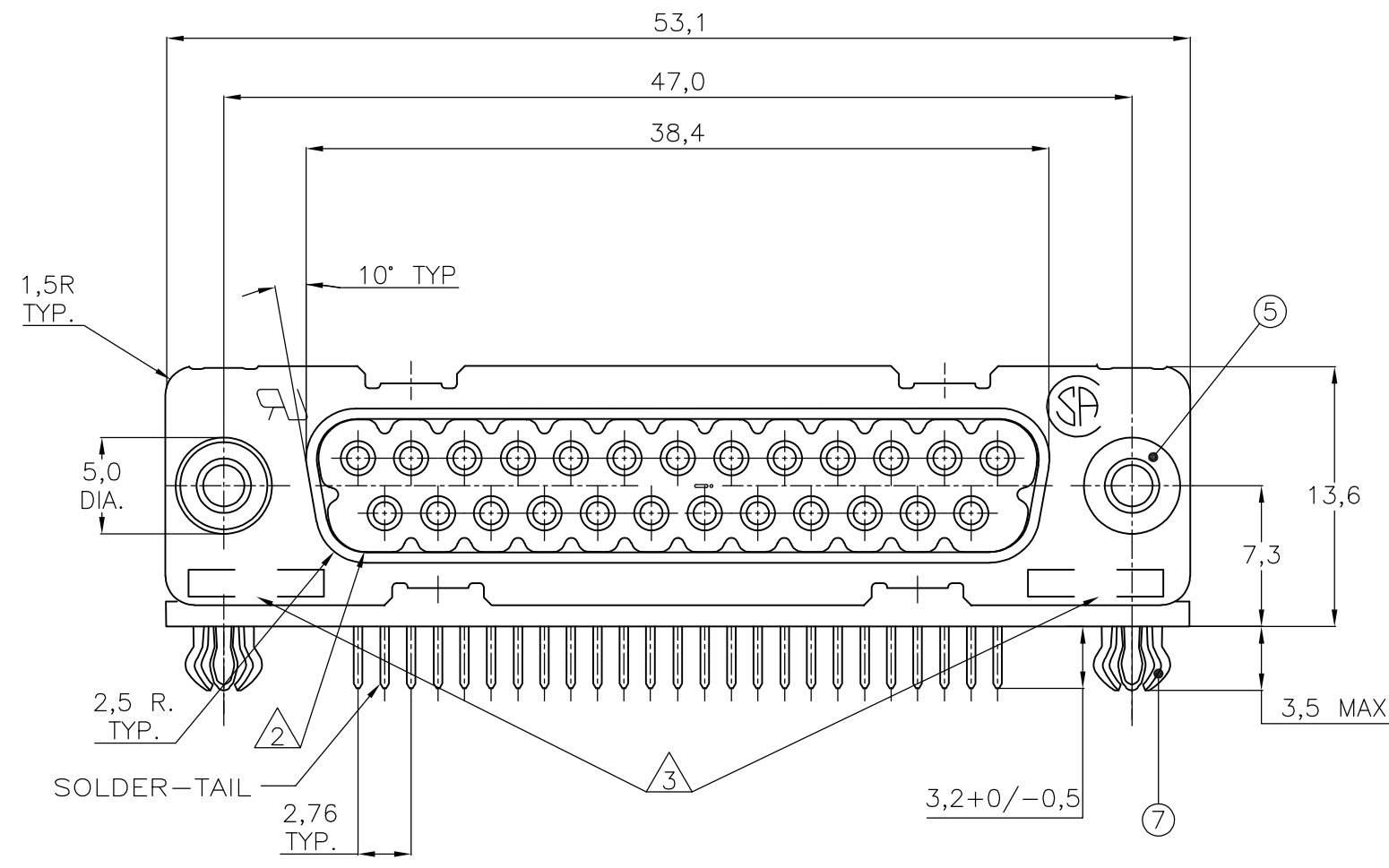


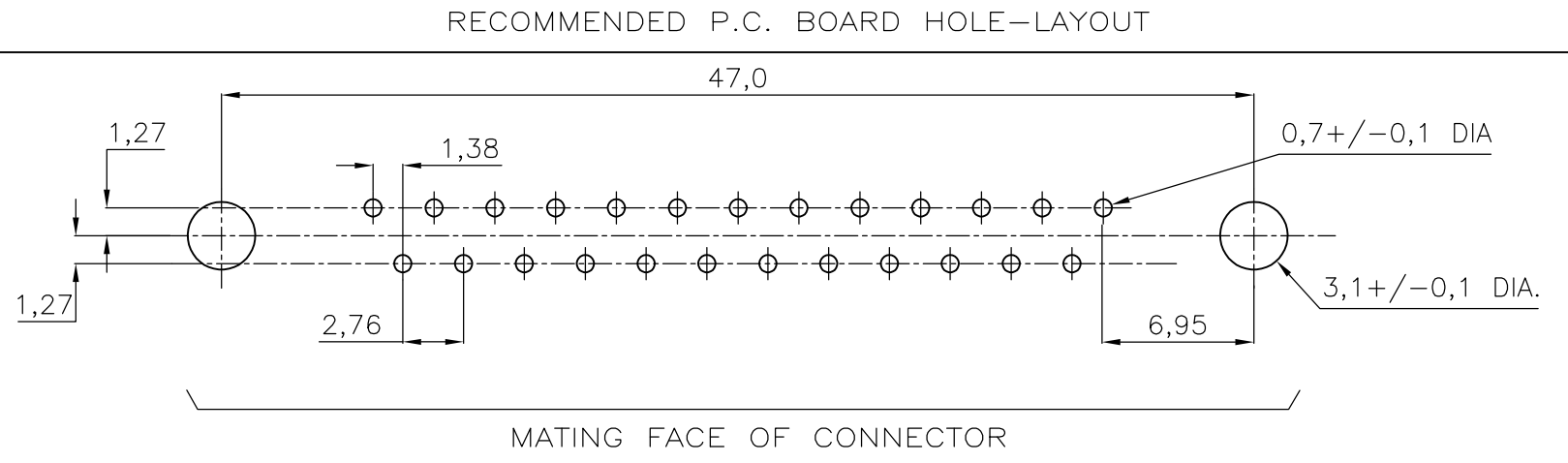
LOC	DIST	REVISIONS					
		P	LTR	DESCRIPTION	DATE	DWN	APVD
GP	00	M		REVISED PER ECO-15-004948	27APR2015	AP	SB



ACCESSORIES	ITEM NO.	DESCRIPTION OF ACCESSORY	QUANTITIES											
			106507-2	1-106507-2	2-106507-2	3-106507-2	4-106507-2	5-106507-2	6-106507-2	7-106507-2	8-106507-2	9-106507-2		
5		BUSHING WITH THROUGH-HOLE 3,1 DIA.	2				2							
5		BUSHING WITH INNER THREAD 4-40 UNC		2					2					
5		BUSHING WITH INNER THREAD M3			2					2				
4		FEMALE SCREWLOCK WITH 4-40 UNC				2							2	
4		FEMALE SCREWLOCK WITH M3					2							2
7		BOARDLOCK	2	2	2	2	2							

- ① GROOVE INDICATES VERSION WITH 4-40 UNC INNER THREAD; WITHOUT GROOVE INDICATES VERSION WITH M3 INNER THREAD.
- ② CAVITY IDENTIFICATION AT FRONT SIDE ONLY.
- ③ PART NUMBER AND DATE CODE.
- 4. AIR AND CREEPAGE DISTANCES ACCORDING TO DIN 41652.
- 5. CONTACT FINISH: GOLD FLASH OVER PALLADIUM-NICKEL PLATE OR GOLD PLATE ON THE MATING SURFACES, TIN PLATE ON THE SOLDER-TAILS, NICKEL UNDERPLATE ON THE ENTIRE CONTACT. MATING SURFACE MEETS PERFORMANCE LEVEL 2 PER DIN 41652.

- ITEM NO./MATERIAL :
- ① SHELL : BRIGHT TIN PLATED STEEL
 - ② HOUSING : GLASS FILLED POLYESTER, COLOR : BLACK
 - ③ CONTACTS : PHOSPHOR BRONZE (PLATING : SEE NOTES ABOVE)
 - ④ FEMALE SCREWLOCK : TIN PLATED STEEL (INNER THREAD 4-40 UNC OR M3)
 - ⑤ BUSHING : TIN PLATED STEEL (INNER THREAD 4-40 UNC OR M3 OR 3,1 DIA THROUGH-HOLE)
 - ⑥ BRACKET : TIN PLATED STEEL
 - ⑦ BOARDLOCK : TIN PLATED PHOSPHOR BRONZE
 - ⑧ POST ALIGNMENT PLATE : GLASS FILLED NYLON. COLOR : BLACK



THIS DRAWING IS A CONTROLLED DOCUMENT. DIMENSIONING AND TOLERANCING PER ASME Y14.5M-2009		DWN D. KESSLER	14JAN99	STE TE Connectivity
DIMENSIONS: mm		CHK W. SOOMERS		
TOLERANCES UNLESS OTHERWISE SPECIFIED:		APVD		NAME HD-20 SIZE 3 RIGHT ANGLE RECEPTACLE HEADER; MARK II+
0 PLC ± -		PRODUCT SPEC		
1 PLC ± 0.3		APPLICATION SPEC		SIZE A2
2 PLC ± 0.15		WEIGHT		CAGE CODE 00779
3 PLC ± -		CUSTOMER DRAWING		DRAWING NO C=106507
4 PLC ± -		SCALE NTS		RESTRICTED TO -
ANGLES ± 2°		SHEET 1 of 1		REV M

Mouser Electronics

Authorized Distributor

Click to View Pricing, Inventory, Delivery & Lifecycle Information:

[TE Connectivity:](#)

[1-106507-2](#)