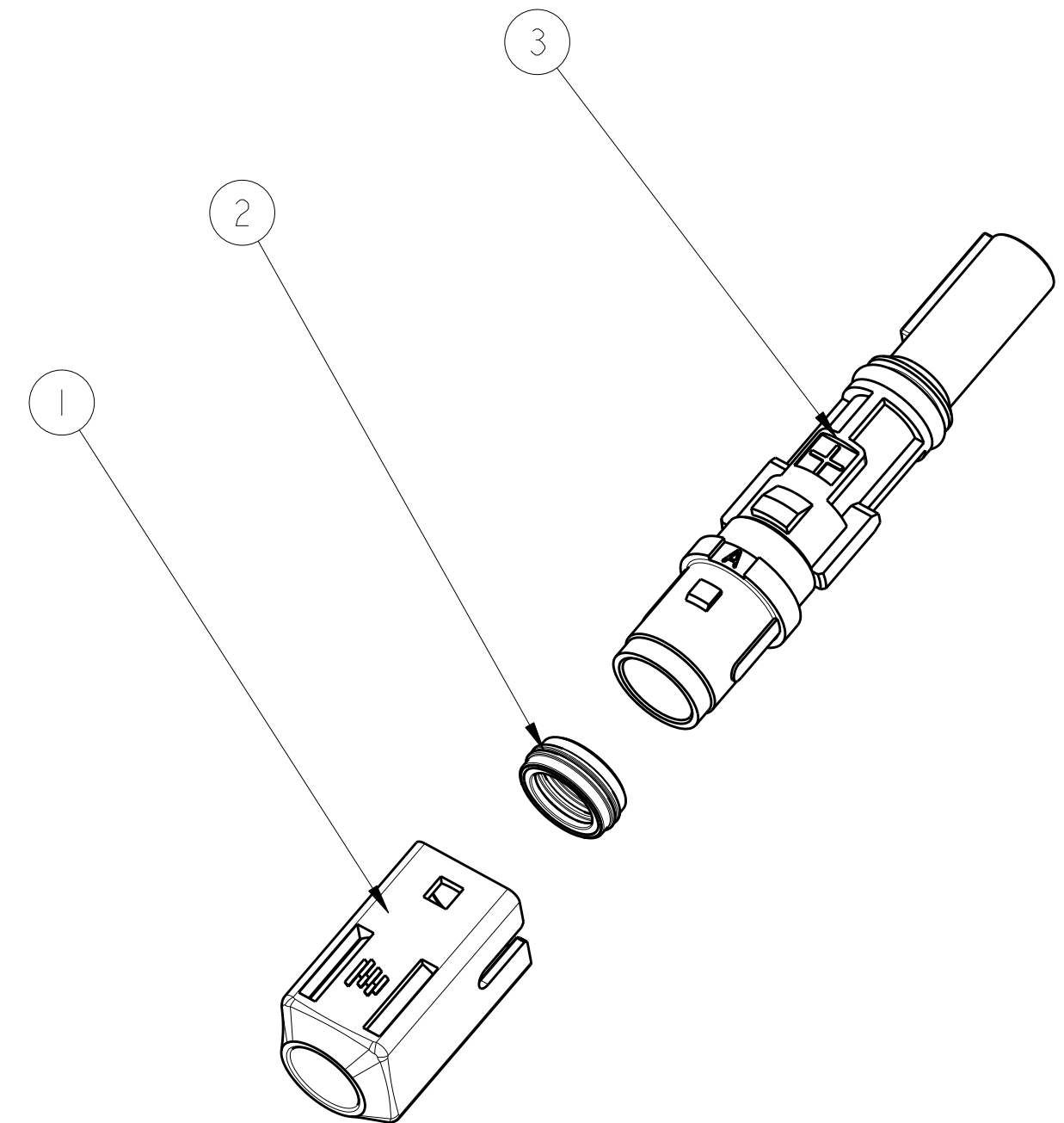
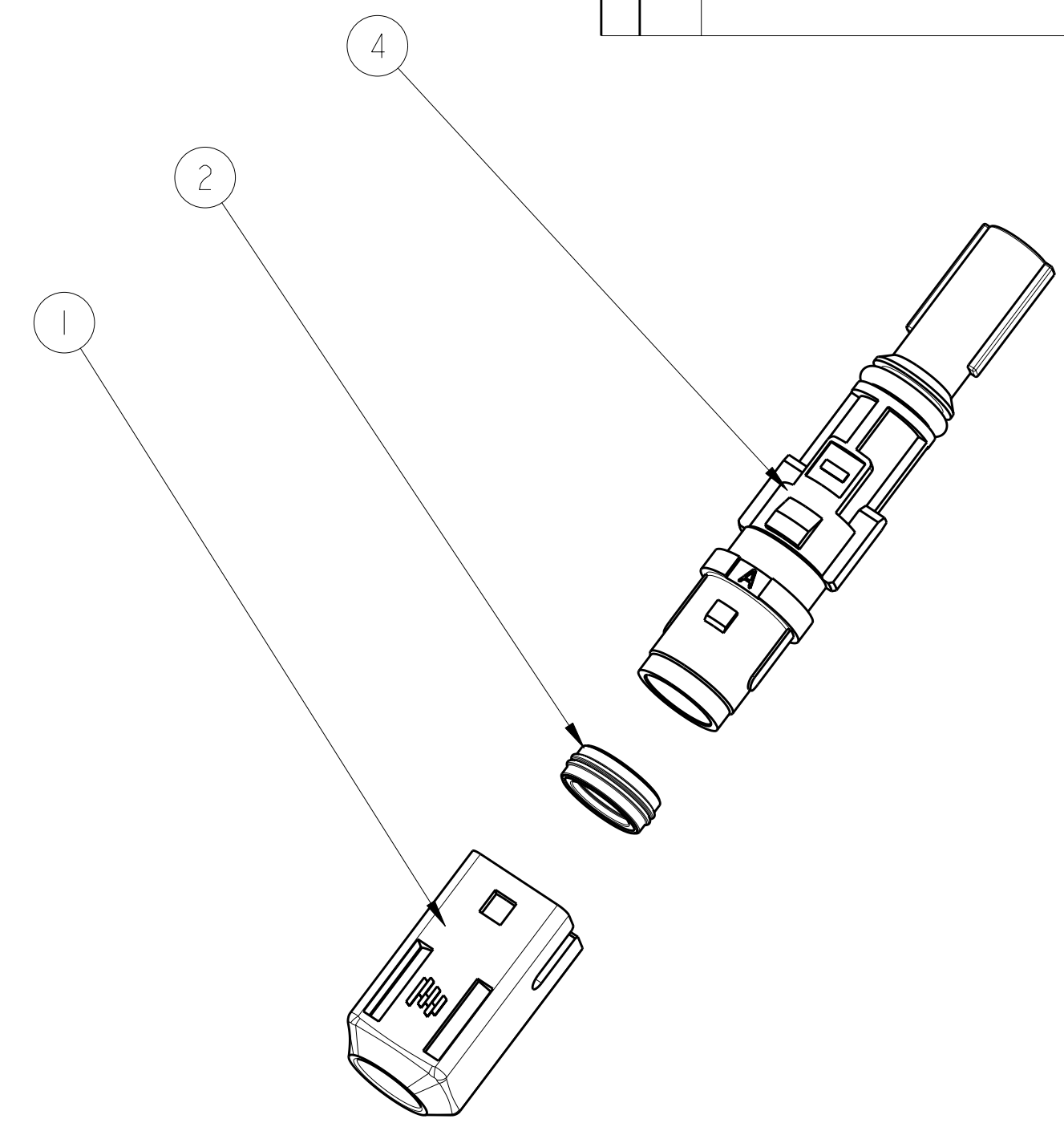


THIS DRAWING IS UNPUBLISHED. RELEASED FOR PUBLICATION 20
 © COPYRIGHT 20 BY TYCO ELECTRONICS CORPORATION. ALL RIGHTS RESERVED.

LOC	DIST	REVISIONS			
P	LTR	DESCRIPTION	DATE	DWN	APVD
ES	00	A4	ECR-10-014679	19JUL2010	OW JZ



-1, -3 AS SHOWN



NOTE
 1. ALL THE COMPENTS ARE PACKAGED SEPARATELY
 -2, -4 AS SHOWN

QTY PER ASSY				PARTS NO.	DESCRIPTION	ITEM NO
1	-	1	-	1971227-2	MINUS SOCKET HSG WITH O-RING	4
-	1	-	1	1971227-1	PLUS SOCKET HSG WITH O-RING	3
1	1	-	-	1971128-2	SEALER SOCKET PINCH END	2
-	-	1	1	1971128-1		
1	1	1	1	1971127-1	PINCH HSG	1
-4	-3	-2	-1	PARTS NO.	DESCRIPTION	ITEM NO

THIS DRAWING IS A CONTROLLED DOCUMENT FOR TYCO ELECTRONICS CORPORATION IT IS SUBJECT TO CHANGE AND THE CONTROLLING ENGINEERING ORGANIZATION SHOULD BE CONTACTED FOR THE LATEST REVISION.		DWN 20JUL2010 OLIVER WANG CHK 20JUL2010 DAVID HU APVD 20JUL2010 JULIAN ZHOU		Tyco Electronics SHANGHAI, CHINA	
DIMENSIONS: mm		TOLERANCES UNLESS OTHERWISE SPECIFIED: 0 PLC ± 1 PLC ± 2 PLC ± 3 PLC ± 4 PLC ± ANGLES ± FINISH		PRODUCT SPEC 108-106018 APPLICATION SPEC 114-106001 WEIGHT	
MATERIAL		CUSTOMER DRAWING		SIZE CAGE CODE DRAWING NO A200-790-3 SCALE 2:1 SHEET OF 1 REV A4	

Mouser Electronics

Authorized Distributor

Click to View Pricing, Inventory, Delivery & Lifecycle Information:

[TE Connectivity:](#)

[1971131-2](#) [1971131-1](#)