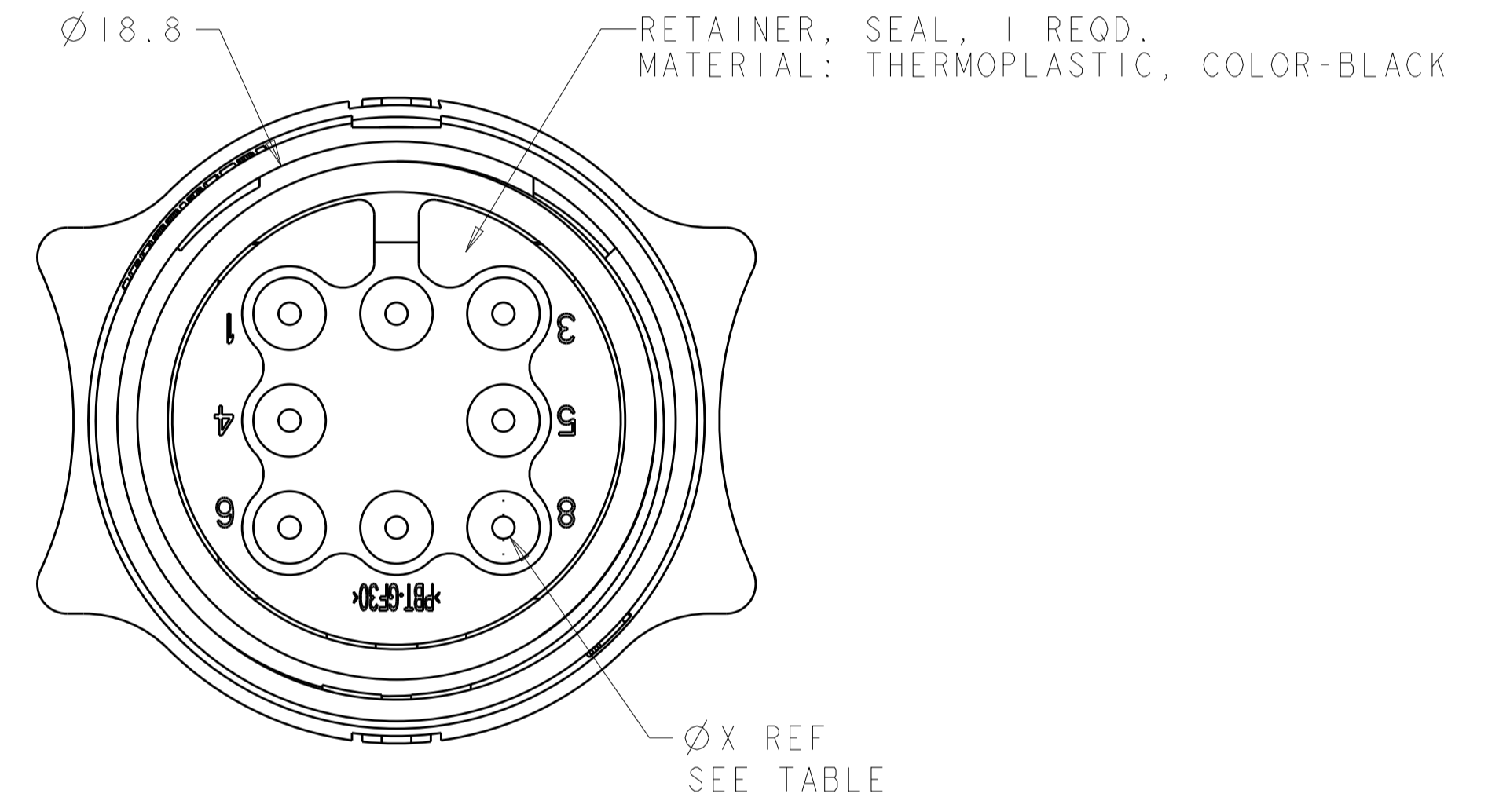
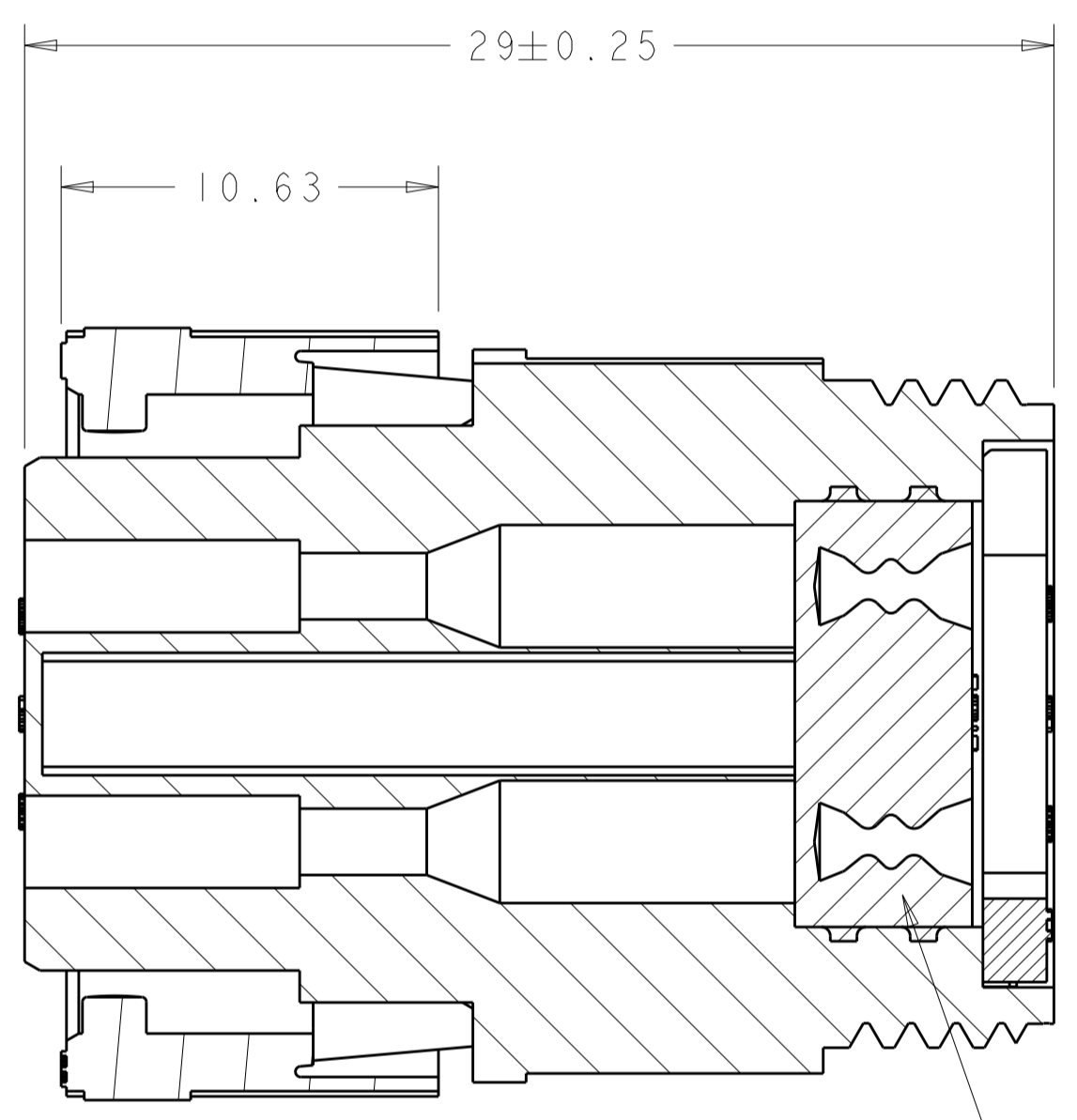
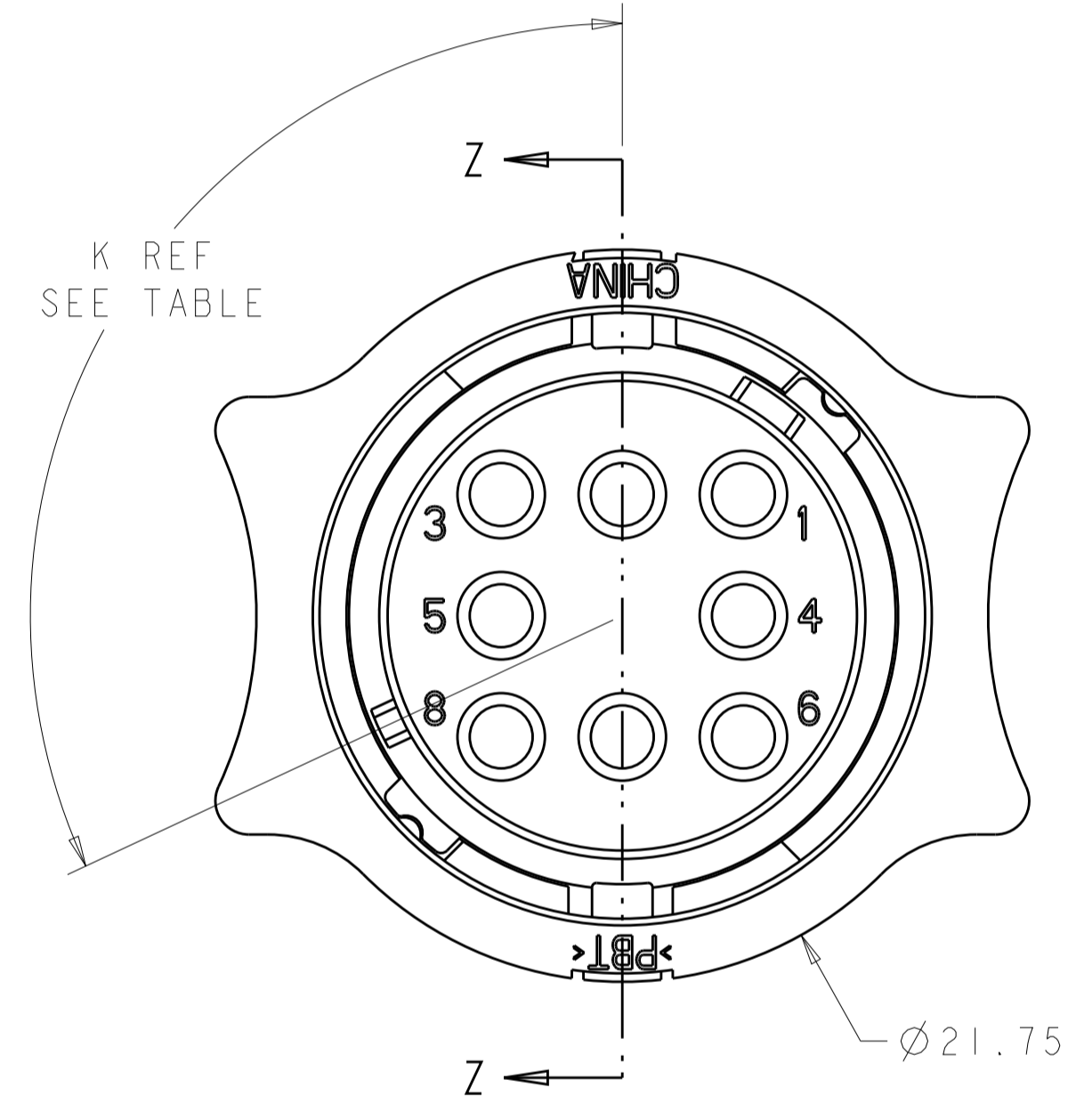
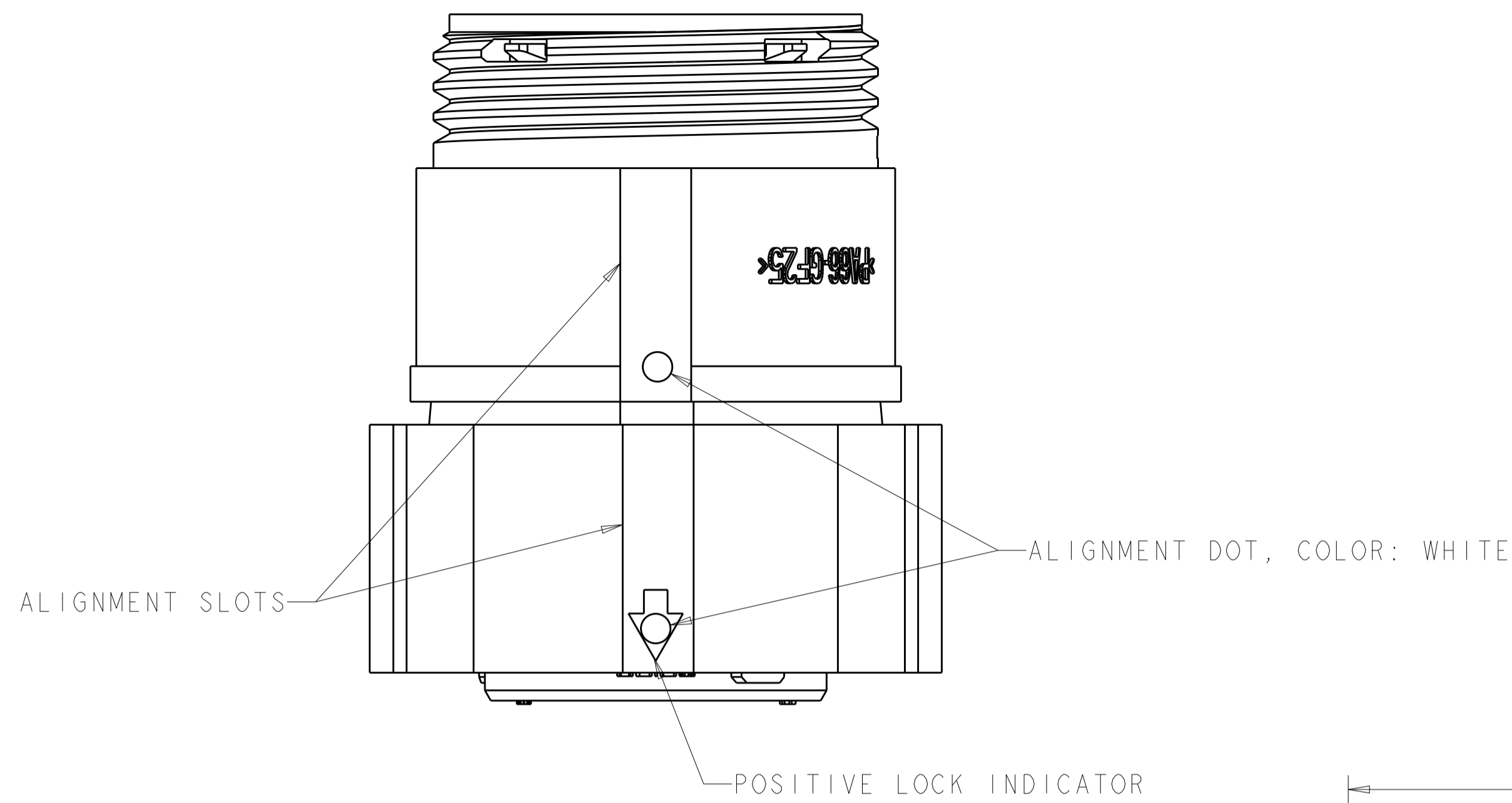
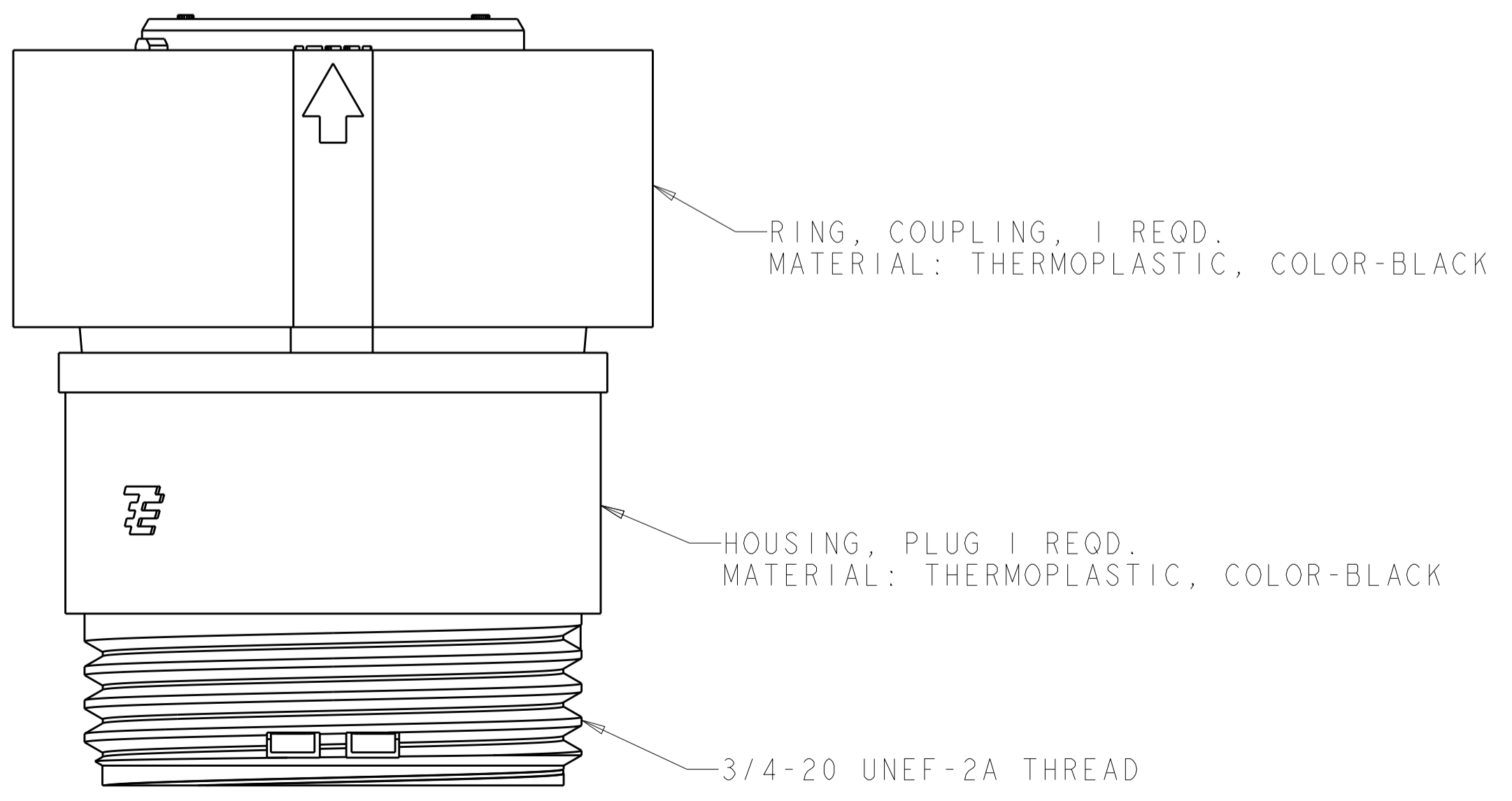


REVISIONS				
P.	LTM	DESCRIPTION	DATE	OWN APVD
C2		REVISED PER ECO-15-010004	13JUL2015	NK MZ
D		REVISED PER ECO-17-004650	06APR2017	BDA MZ



SEAL, WIRE ENTRY, 1 REQD. MATERIAL: ELASTOMER, COLOR-SEE TABLE



OBSOLETE	YELLOW	Ø 0.75	135°	1445817-4
	NATURAL	Ø 1.5	115°	1445817-3
OBSOLETE	NATURAL	Ø 1.5	135°	1445817-2
	YELLOW	Ø 0.75	115°	1445817-1
	SEAL, WIRE ENTRY COLOR	Ø X REF	K REF	PART NUMBER

THIS DRAWING IS A CONTROLLED DOCUMENT.

OWN: SHANE WIESE 16OCT2001
 CHK: G DOUTY 16OCT2001
 APVD: H. WAKEEM 13JUN2003

STE TE Connectivity

NAME: ASSEMBLY, PLUG, SIZE 11, 8 POSITION, SEALED, MINI CPC

SIZE: A1 CAGE CODE: 100779 DRAWING NO: 1445817

MATERIAL: SEE CALLOUT FINISH: - WEIGHT: - CUSTOMER DRAWING

SCALE: 5:1 SHEET 1 OF 1 REV D

Mouser Electronics

Authorized Distributor

Click to View Pricing, Inventory, Delivery & Lifecycle Information:

[TE Connectivity:](#)

[1445817-1](#)