

THIS DRAWING IS UNPUBLISHED.

RELEASED FOR PUBLICATION

2011

LOC

DIST

REVISIONS

© COPYRIGHT 2011 BY - ALL RIGHTS RESERVED.

P	LTR	DESCRIPTION	DATE	DWN	APVD
	E	UPDATED	12DEC2012	MZ	JC
	F	PARTS -1, -2, -3 RELEASED FOR PRODUCTION	27JUN2013	KR	JC
	FI	REVISED PART NUMBERS	17JUL2017	SK	MZ

NOTES:

- 1) MATERIAL: POLYAMIDE GLASS FILLED
COLOUR NATURAL
- 2) PACKAGING: SEE TE PACKAGING SPECIFICATION
107-20294

3 N CODE

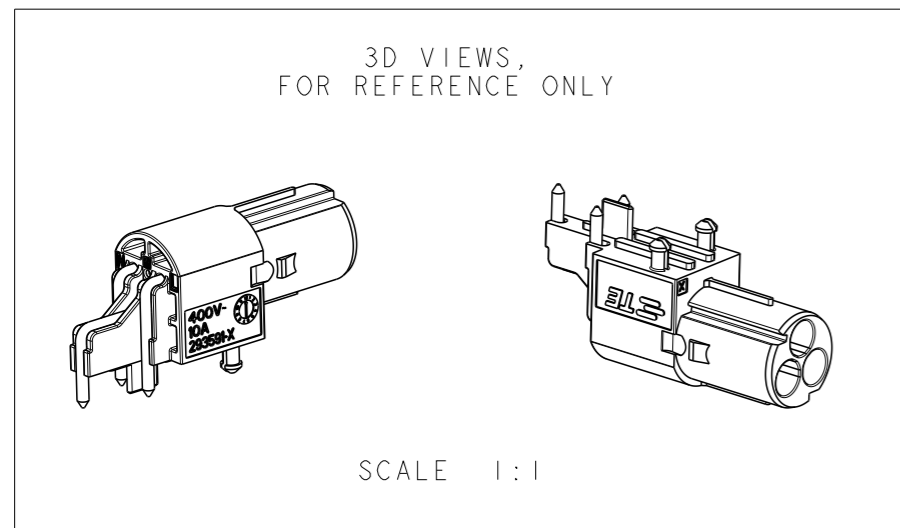
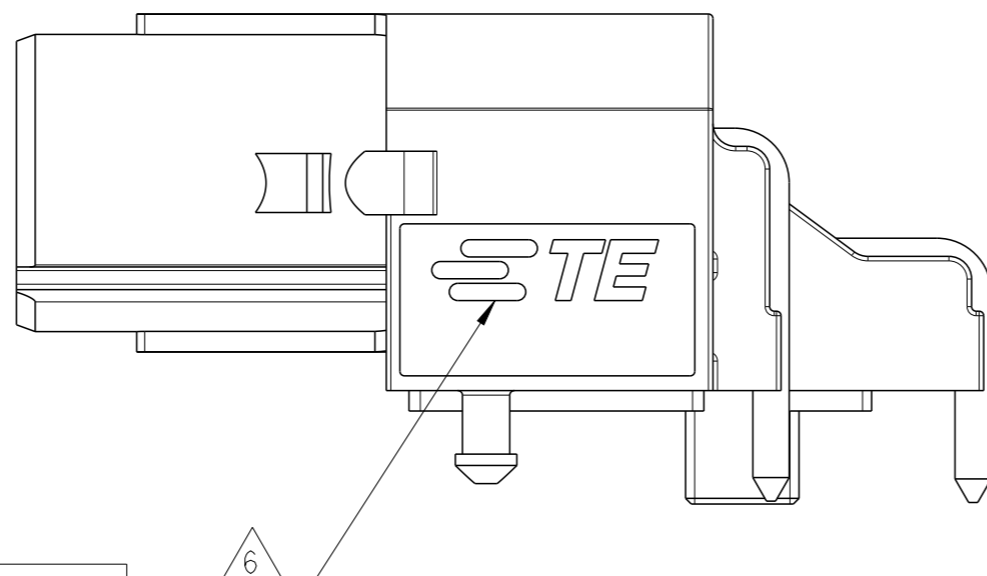
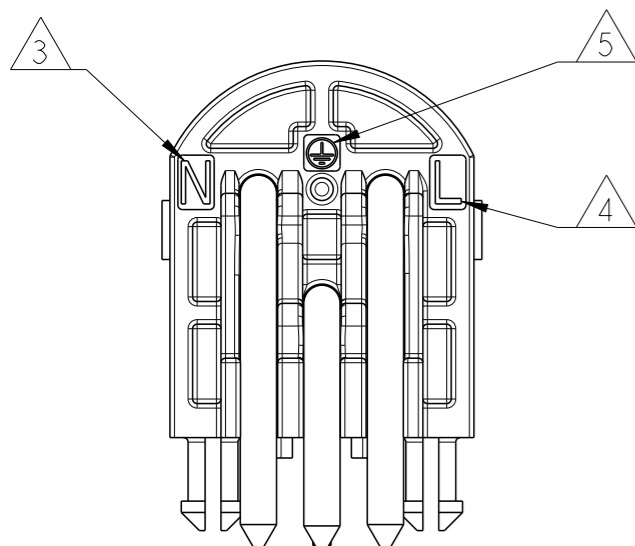
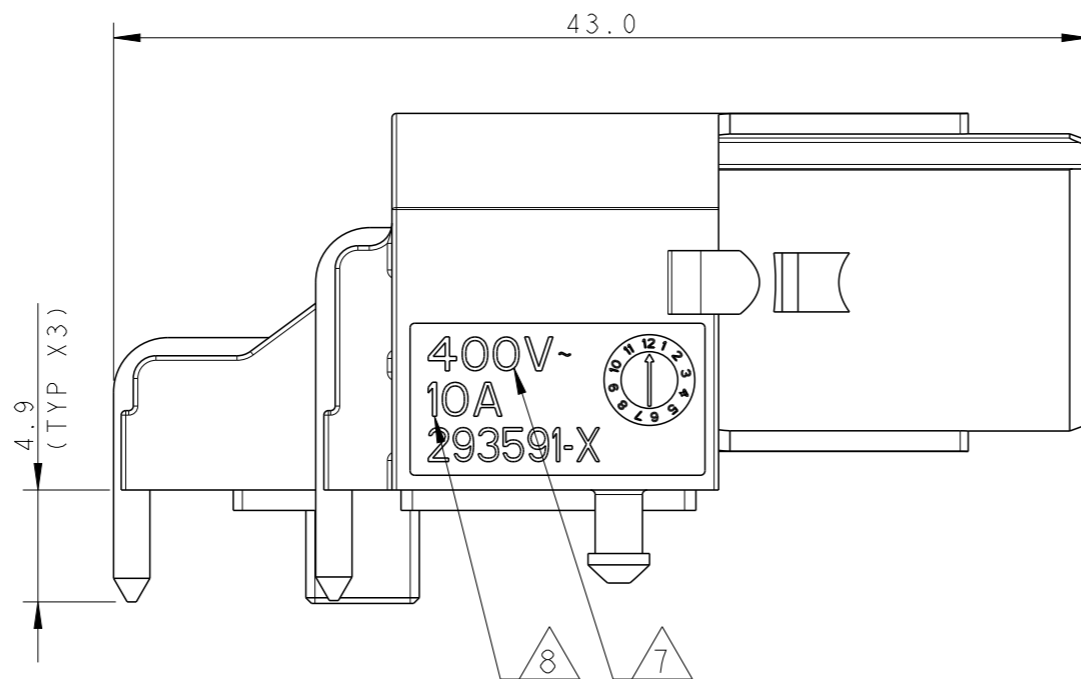
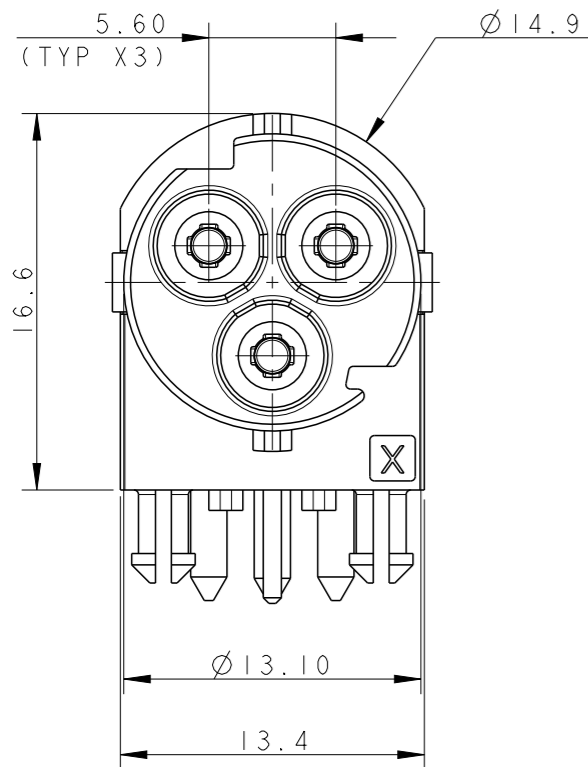
4 L CODE

5 PE CODE

6 TE LOGO

7 RATED VOLTAGE

8 RATED CURRENT



COLOUR	POL. KEYING	DESCRIPTION	REV.	PART NUMBER
NATURAL	D	PIN CONNECTOR PCB 90 DEG NECTOR* M-LINE	I	293593-4
NATURAL	C	PIN CONNECTOR PCB 90 DEG NECTOR* M-LINE	F	293593-3
NATURAL	B	PIN CONNECTOR PCB 90 DEG NECTOR* M-LINE	F	293593-2
NATURAL	A	PIN CONNECTOR PCB 90 DEG NECTOR* M-LINE	F	293593-1

THIS DRAWING IS A CONTROLLED DOCUMENT.

DIMENSIONS:	TOLERANCES UNLESS OTHERWISE SPECIFIED:
mm	
	0 PLC ±-
	1 PLC ±0.3
	2 PLC ±0.20
	3 PLC ±-
	4 PLC ±-
	ANGLES ±3°
MATERIAL -	FINISH -

DWN	M. ZUCCA	30OCT2009
CHK	M. ZUCCA	30OCT2009
APVD	G. TURCO	30OCT2009
PRODUCT SPEC	108-20304	
APPLICATION SPEC	114-20152	
WEIGHT	-	

TE Connectivity		NAME	
		PIN CONNECTOR PCB STRAIGHT VERSION NECTOR* M-LINE	
SIZE	CAGE CODE	DRAWING NO	RESTRICTED TO
A300779	C-293593		-

THIS DRAWING IS UNPUBLISHED.

RELEASED FOR PUBLICATION

2011

© COPYRIGHT 2011 BY -

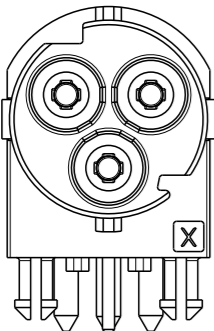
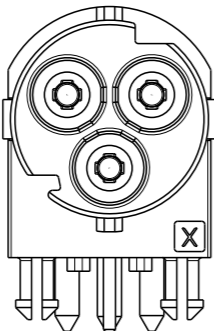
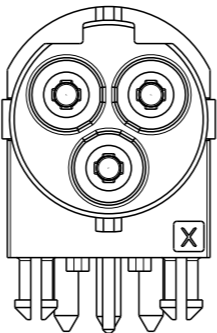
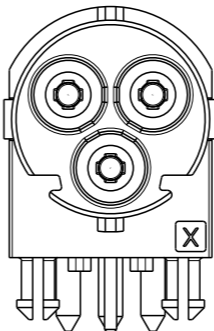
ALL RIGHTS RESERVED.

LOC 1 DIST -

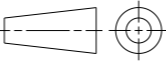
REVISIONS

P	LTR	DESCRIPTION	DATE	DWN	APVD
-	-	SEE SHEET 1	-	-	-

POLARIZATION KEYS


TYPE "A"	TYPE "B"	TYPE "C"	TYPE "D"
P/N 293593-1 AS SHOWN	P/N 293593-2 AS SHOWN	P/N 293593-3 AS SHOWN	P/N 293593-4 AS SHOWN
			

THIS DRAWING IS A CONTROLLED DOCUMENT.

DIMENSIONS: mm	
MATERIAL -	FINISH -

TOLERANCES UNLESS OTHERWISE SPECIFIED:	
0 PLC	±-
1 PLC	±0.3
2 PLC	±0.20
3 PLC	±-
4 PLC	±-
ANGLES	±3°

DWN	M. ZUCCA	30OCT2009
CHK	M. ZUCCA	30OCT2009
APVD	G. TURCO	30OCT2009
PRODUCT SPEC	108-20304	
APPLICATION SPEC	114-20152	
WEIGHT	-	

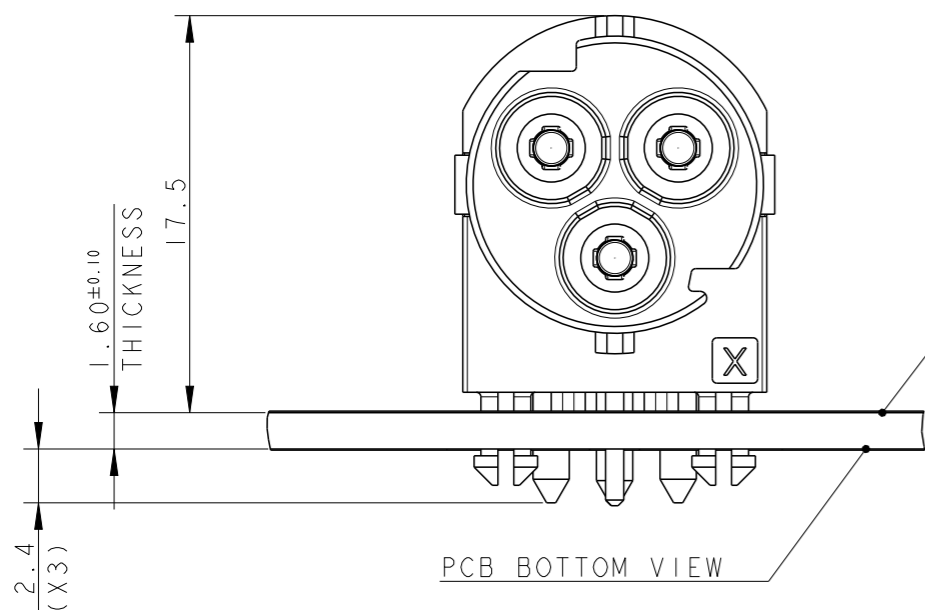
 TE Connectivity			
NAME PIN CONNECTOR PCB STRAIGHT VERSION NECTOR* M-LINE			
SIZE	CAGE CODE	DRAWING NO	RESTRICTED TO
A3	00779	C-293593	-

LOC	DIST
1	-

P	LTR	DESCRIPTION	DATE	DWN	APVD
-	-	SEE SHEET 1	-	-	-

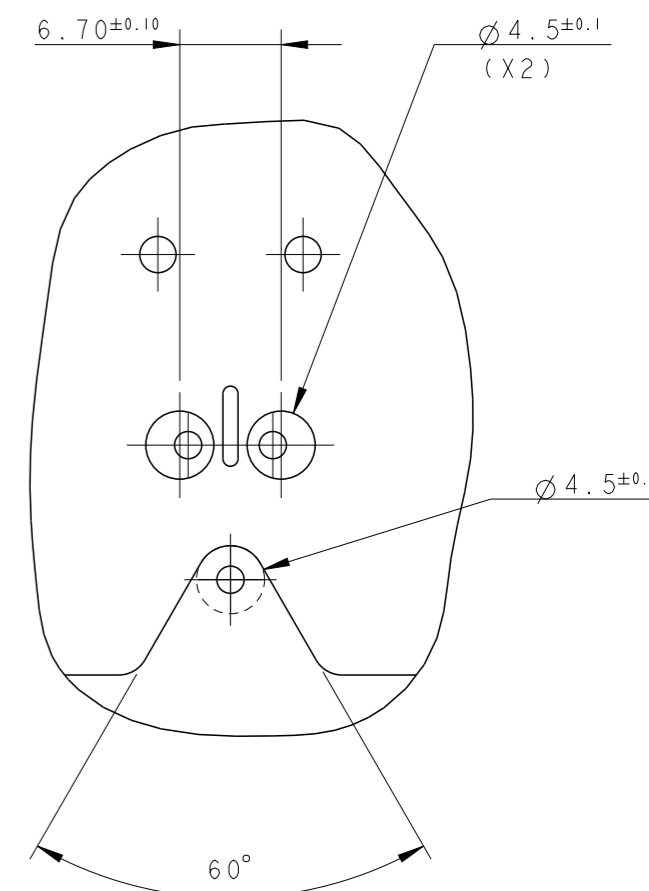
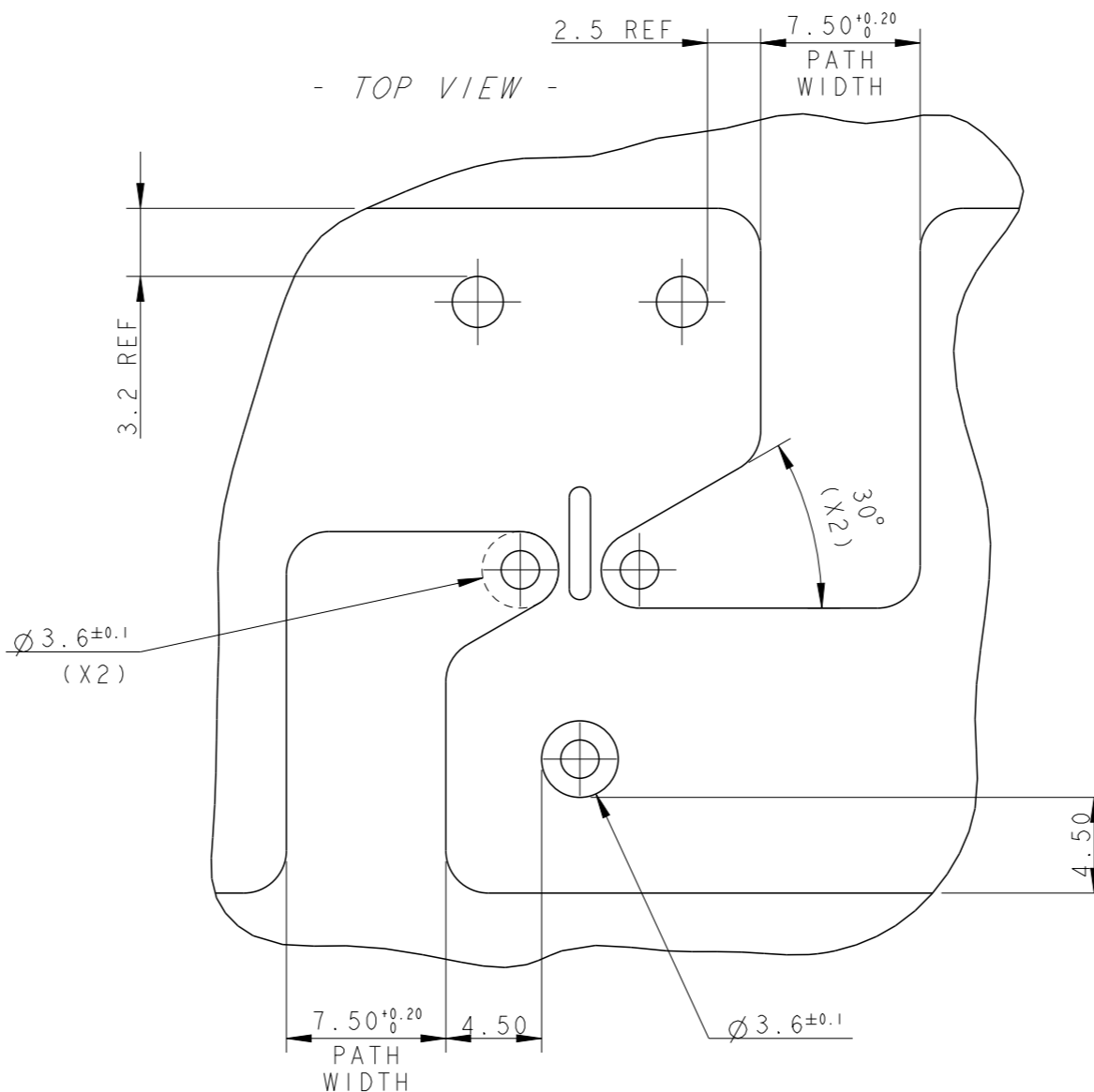
REVISIONS

SUGGESTED L, N AND PE TRACKS LAYOUT ON PCB

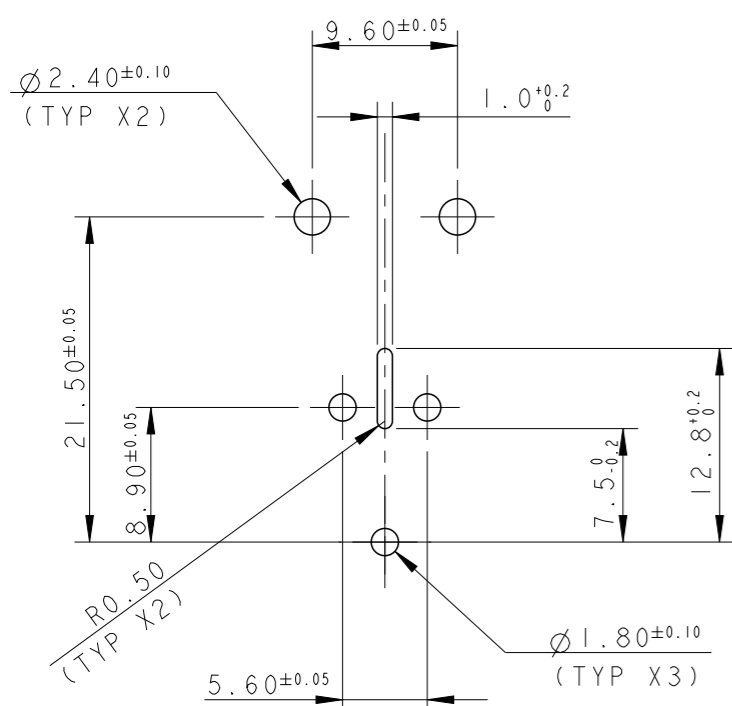


- TOP VIEW -

- BOTTOM VIEW -



SUGGESTED PCB LAYOUT CUT-OUT



SCALE 2:1

THIS DRAWING IS A CONTROLLED DOCUMENT.

DIMENSIONS:	
mm	

TOLERANCES UNLESS OTHERWISE SPECIFIED:	
0 PLC	±-
1 PLC	±0.3
2 PLC	±0.20
3 PLC	±-
4 PLC	±-
ANGLES	±3°
FINISH	-

MATERIAL -

DWN	M. ZUCCA	30OCT2009
CHK	M. ZUCCA	30OCT2009
APVD	G. TURCO	30OCT2009
PRODUCT SPEC	108-20304	
APPLICATION SPEC	114-20152	
WEIGHT	-	

		TE Connectivity	
		NAME	
PIN CONNECTOR		RESTRICTED TO	
PCB STRAIGHT VERSION		-	
NECTOR* M-LINE		-	
SIZE	CAGE CODE	DRAWING NO	REV
A300779	C=293593		F1

Customer Drawing

SCALE 3:1

SHEET 3 OF 3

REV F1

Mouser Electronics

Authorized Distributor

Click to View Pricing, Inventory, Delivery & Lifecycle Information:

[TE Connectivity:](#)

[293593-1](#)