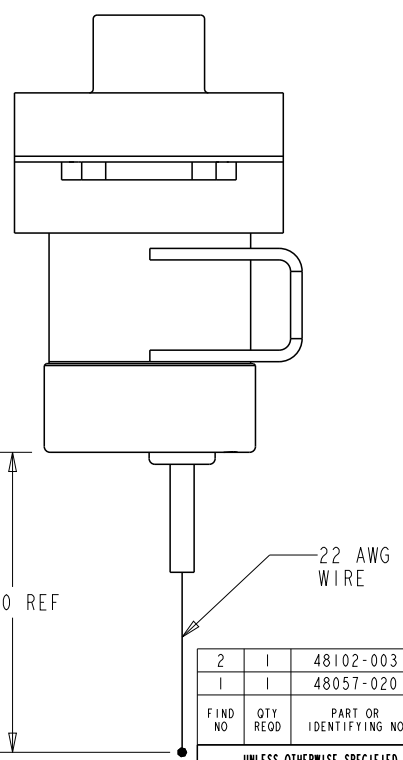
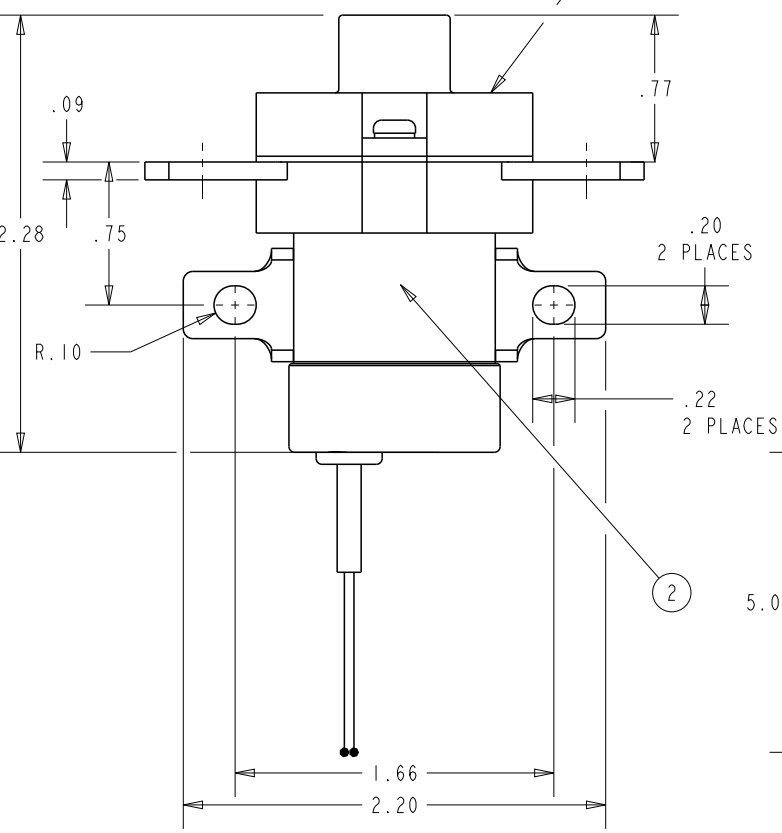
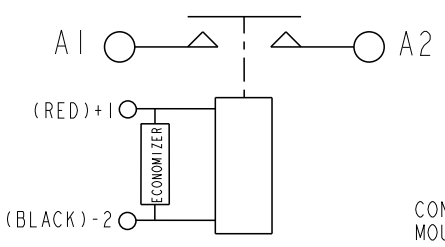
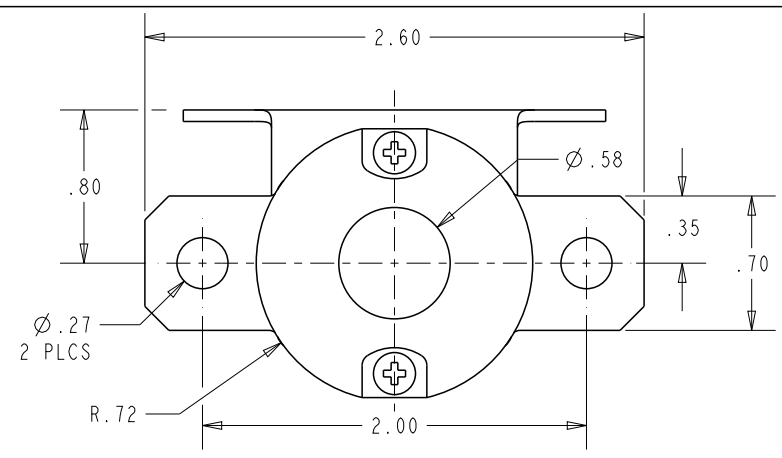


K200A1C

REV. C

REVISIONS		DESCRIPTION	RELEASED DATE	APPROVED
A		RELEASED TO PRODUCTION	11-03-04	CB
B	11-012711	UPDATED VIEW OF WIRING HARNESS	11-06-06	CB
C	11-020414	WEIGHT WAS .31 LBS MAX	11-09-08	CB



CONSTRUCTION MOUNTING STYLE: GASKET SEALED CHASSIS MOUNT

MAIN CONTACTS CONFIGURATION: SPST N.O. DOUBLE MAKE

VOLTAGE: 28 VDC

CURRENT: 200 AMPS  
RESISTIVE MOTORLOAD RUPTURE: 1200 AMPS  
2000 AMPS

COIL DATA: CONTINUOUS (ECONOMIZED)

DUTY CYCLE: 28 VDC

NOM. OPERATE VOLTAGE: 18 VDC MAX

PICKUP VOLTAGE: 1-9 VDC

DROP VOLTAGE: 15 mS

PICKUP TIME: 15 mS

DROPOUT TIME: 5 AMPS MAX AT 28 VDC & 25°C

COIL CURRENT: 300 mA MAX AT 28 VDC & 25°C

INRUSH HOLDING SUPPRESSION: ±45 VDC

ENVIRONMENTAL DATA: TEMPERATURE -55°C TO +85°C

ALTITUDE: 50,000 FEET

LIFE ELECTRICAL: 50,000 CYCLES MIN.

LIFE MECHANICAL: 100,000 CYCLES MIN.

WEIGHT: .33 LBS MAX

2	1	48102-003	NAME PLATE		8-1616974-4		
1	1	48057-020	PRIMARY ASSEMBLY - K200A1C		2-1616971-0		
FIND NO	QTY RECD	PART OR IDENTIFYING NO	NOMENCLATURE OR DESCRIPTION	DRAWING OR SPECIFICATION	FSCM NO	TE PART NO	MATERIAL OR NOTE

UNLESS OTHERWISE SPECIFIED DIMENSIONS ARE IN INCHES TOLERANCES ON		
2 PL DEC.	.13 PL DEC.	ANGLES
±.06	±.010	± 1°
DR BY	KL	08-02-04
CHK BY	CB	11-03-10
ENGR	RSS	11-03-10
MFG	BH	11-03-10
SIZE	CODE IDENT	
A	74063	
SCALE 1:1	SHEET 1 OF 1	

**STE**  
 Hartman Division 175 N. DIAMOND STREET MANSFIELD, OHIO 44902

CONTACTOR-SPST NO DB  
 200 AMP, 28 VDC

DWG NO. K200A1C

REF TE PN 5-1616970-9

# Mouser Electronics

Authorized Distributor

Click to View Pricing, Inventory, Delivery & Lifecycle Information:

[TE Connectivity:](#)

[K200A1C](#)