

PLEASE CHECK WWW.MOLEX.COM FOR LATEST PART INFORMATION

Part Number: [0006023103](#)
Status: **Active**
Description: Flat Blade Appliance Motor Switch Crimp Housing, 10 Circuit, 10 Circuits

Documents:

3D Model	Drawing (PDF)
3D Model (PDF)	RoHS Certificate of Compliance (PDF)

Agency Certification

CSA	LR19980
UL	E29179

General

Product Family	Crimp Housings
Series	6313
Application	Power, Wire-to-Board
Comments	Thumb Depress Latch, Thumb Depress Latch
Product Name	Flat Blade
UPC	800753825963

Physical

Circuits (maximum)	10
Color - Resin	Natural
Flammability	94V-2
Gender	Receptacle
Glow-Wire Capable	No
Material - Resin	Nylon
Net Weight	7.107/g
Number of Rows	1
Packaging Type	Bag
Panel Mount	No
Pitch - Mating Interface	5.59mm
Stackable	No
Temperature Range - Operating	-40° to +75°C

Solder Process Data

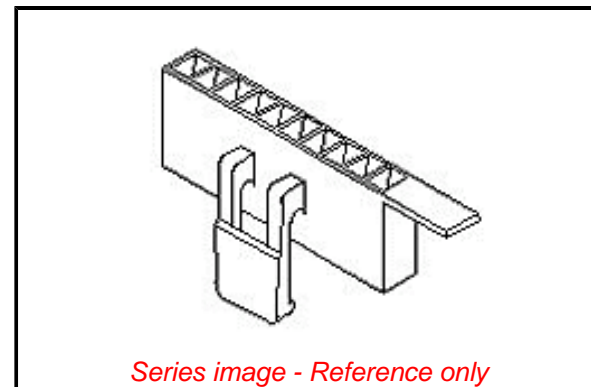
Lead-freeProcess Capability	N/A
-----------------------------	-----

Material Info

Engineering Number	6313-1-10
--------------------	-----------

Reference - Drawing Numbers

Sales Drawing	SD-6313-1-10
---------------	--------------



EU ELV

Not Relevant

EU RoHS

Compliant

REACH SVHC

Not Contained Per -
ECHA_01_2020 (16
January 2020

Halogen-Free

Status

Low-Halogen

For more information, please visit [Contact US](#)

China ROHS

ELV

RoHS Phthalates

China RoHS

Green Image

Not Relevant

Not Contained

Search Parts in this Series

[6313 Series](#)

Mates With

Appliance Motor

Use With

[1508 Crimp Terminals](#), [43374](#)

PLEASE CHECK WWW.MOLEX.COM FOR LATEST PART INFORMATION

Mouser Electronics

Authorized Distributor

Click to View Pricing, Inventory, Delivery & Lifecycle Information:

[Molex:](#)

[06-02-3103](#)