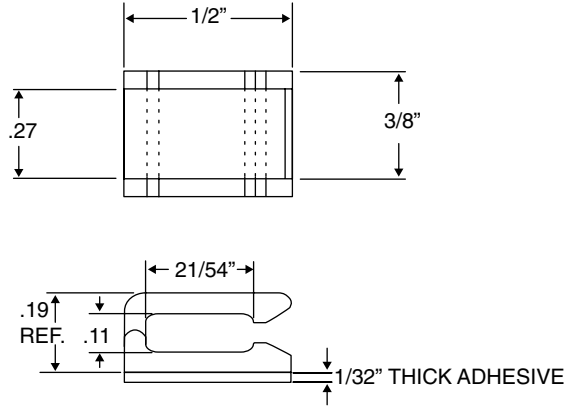


Date Last Revised: 9/13/11

DIMENSIONS: in.



Note: ALL Dimensions +/- .015

Adhesive Backed Nylon Wire and Cable Clips are used to route wires and cables. The parts are backed with polyethylene foam tape, and feature a releasable clip so wires can be removed after assembly if desired. Parts are stocked in natural. Available in black.

Description	Adhesive Backed Wire Clip
RoHS Compliant	

Adhesive - Shelf Life is 24 months from date of mfg.

Available from Mouser Electronics
1-800-346-6873 / www.mouser.com

EPD-200754

Mouser Electronics

Authorized Distributor

Click to View Pricing, Inventory, Delivery & Lifecycle Information:

[Eagle Plastic Devices:](#)

[561-AWCF32811](#)