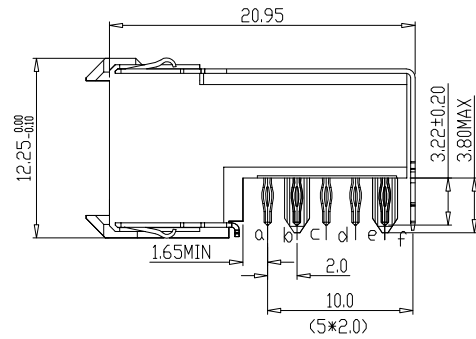
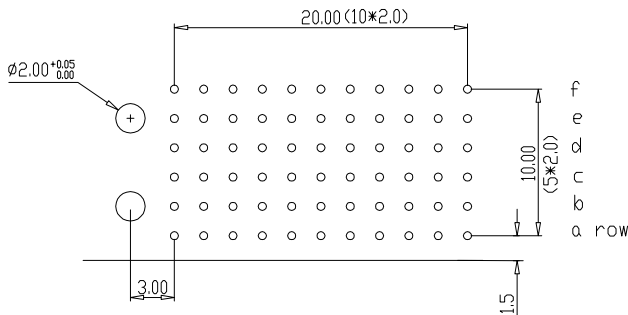
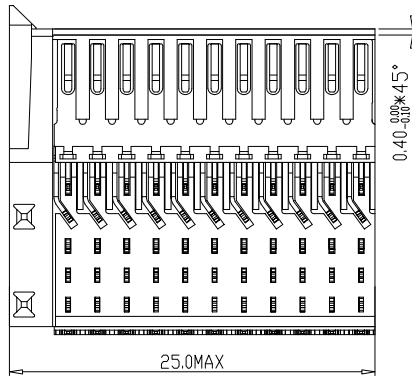
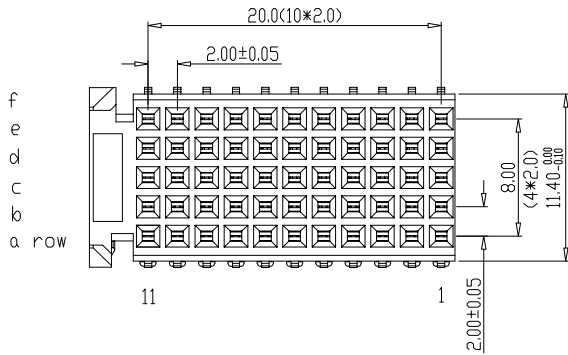




Tous droits strictement réservés. Reproduction ou communication à des tiers interdite sous quelque forme que ce soit sans autorisation écrite du propriétaire. Propriété de c FCI. Droits de reproduction FCI.

All rights strictly reserved. Reproduction or issue to third parties in any form whatever is not permitted without written authority from the proprietor. Property of FCI. Copyright FCI.



PERFORMANCE CHARACTERISTICS

- CURRENT RATING 1.5A AT 20°C (FULLY LOADED)
- 1 A AT 70°C (FULLY LOADED)
- RATED VOLTAGE : 500 V AC (CONT /CONT)
- OPERATING TEMPERATURE : -55°C TO 125°C
- CONTACT RESISTANCE 20 M Ω MAX
- INSERTION FORCE : 0.75N MAX/CONT
- EXTRACTION FORCE : 0.15N MIN/CONT
- INSULATION RESISTANCE : 10⁴ MΩ MIN

- NOTES 1: LEAD FREE INDICATOR (LF=LEAD FREE)
- PERFORMANCE LEVEL INDICATOR (REF DWG NO.BSC 201844.003)
- THIS PRODUCT IS CSA APPROVED. THIS PRODUCT IS UL RECOGNIZED.
 - FOR RECOMMENDED PTH DIMENSIONS REFER DRAWING : BSA.201572.001
 - THIS PRODUCT (LF) MEETS EUROPEAN UNION DIRECTIVES AND OTHER COUNTRY REGULATIONS AS DESCRIBED IN GS-22-008

rev	ecn no	dr	date
A	CONVERSION REVISION_05	KN	14-09-01
B	DG05-0278	Kason	02-08-05
C	DG07-0362	Kason	05-09-07
D	DG10-0110	NZ	05-30-10
-	-	-	-
-	-	-	-

Material		Spec ref			
Mat code		✓	tolerance 1DEC ± 0.2 1DEC 2DEC ± 0.1 2DEC ANGLES ± 1° HOEKEN		
Heattreat				projection	MM
Plating/Finish				size A4	
Dr	W.Panis	07-04-92	Scale 2.000		
Eng		Product family	MILLIPACS		
Chr		Model Name	ECN		
Appr		Model Revision	REL Level		
		title	MPACS 5+2R RA RCP CONN TYPE C		
Pro/E file	catalog no	HM2R03PA5104----	dwg no BSC201444020		
CUSTOMER DRAWING			Rev. D		
sheet 1 of 1					

Mouser Electronics

Authorized Distributor

Click to View Pricing, Inventory, Delivery & Lifecycle Information:

[FCI / Amphenol:](#)

[HM2R03PA5104N9LF](#)