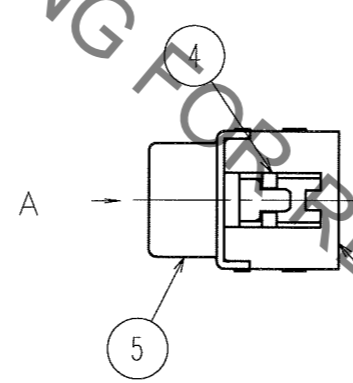
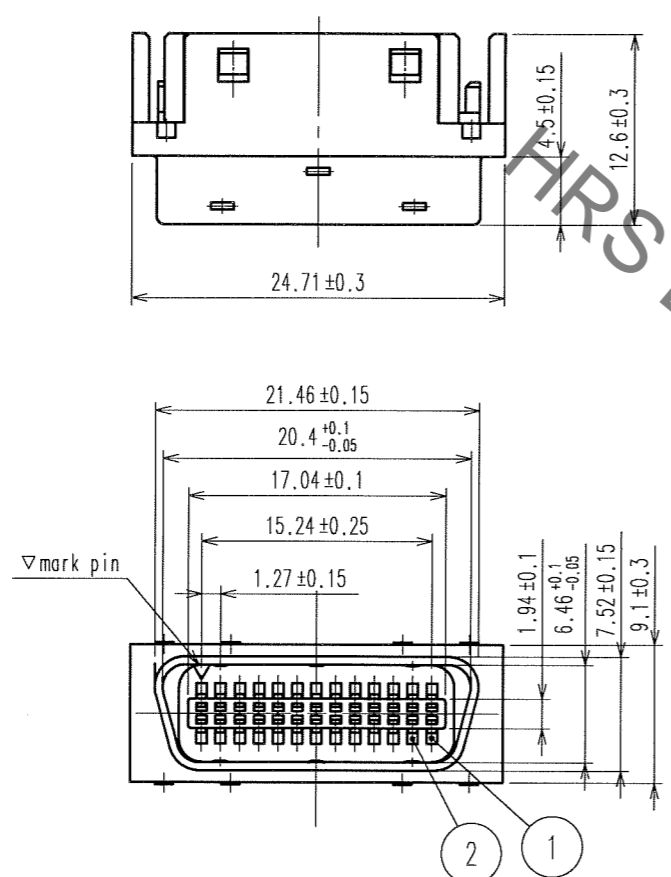
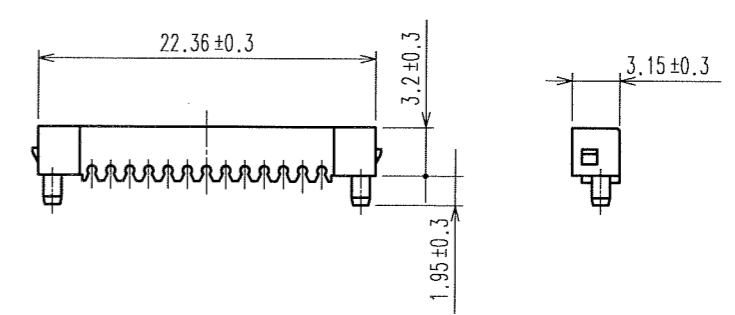


Sep.1.2020 Copyright 2020 HIROSE ELECTRIC CO., LTD. All Rights Reserved.  
In case of consideration for using Automotive equipment / device which demand high reliability, kindly contact our sales window correspondents.

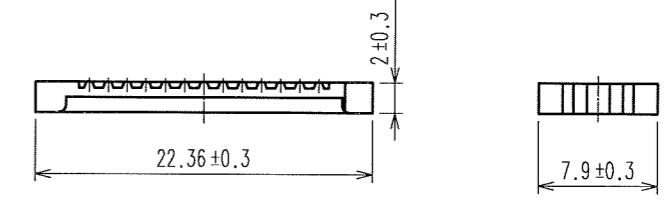
COUNT	DESCRIPTION OF REVISIONS	BY	CHKD	DATE	COUNT	DESCRIPTION OF REVISIONS	BY	CHKD	DATE
1	RE-E-4505	E.M	H.T	96.11.12					
2	DIS-E-000197	Y.S	Y.E	05.08.29					



⑦ Attached



⑥ Attached



NOTE 1 REF.No.③ RETENFORCE TO BE 100N MIN AT DIRECTION A.

4	PBT Resin	(Including glass)UL94V-0			
3	PBT Resin	(Including glass)UL94V-0	7	PBT Resin	(Including glass)UL94V-0
2	Beryllium copper	Contact section: Gold plated IDC Section: Gold flash plating	6	PBT Resin	(Including glass)UL94V-0
1	Beryllium copper	Contact section: Gold plated IDC Section: Gold flash plating	5	Steel	Nickel plated
NO.	MATERIAL	FINISH, REMARKS	NO.	MATERIAL	FINISH, REMARKS

CODE NO. (OLD)		DRAWN	DESIGNED	CHECKED	APPROVED	RELEASED
		H.SHIMAZU	H.SHIMAZU	A.SUZUKI	A.NAKAZAWA	
		91.05.14	91.05.15	91.05.15	91.05.20	

 SCALE 2 : 1 UNITS mm	DRAWING NO. EDC3-042473  HIROSE ELECTRIC CO., LTD	PART NO. DX30AM-26P CODE NO. CL230-5026-0	<table border="1"> <tr> <td>1</td> <td>1</td> </tr> </table>	1	1
1	1				