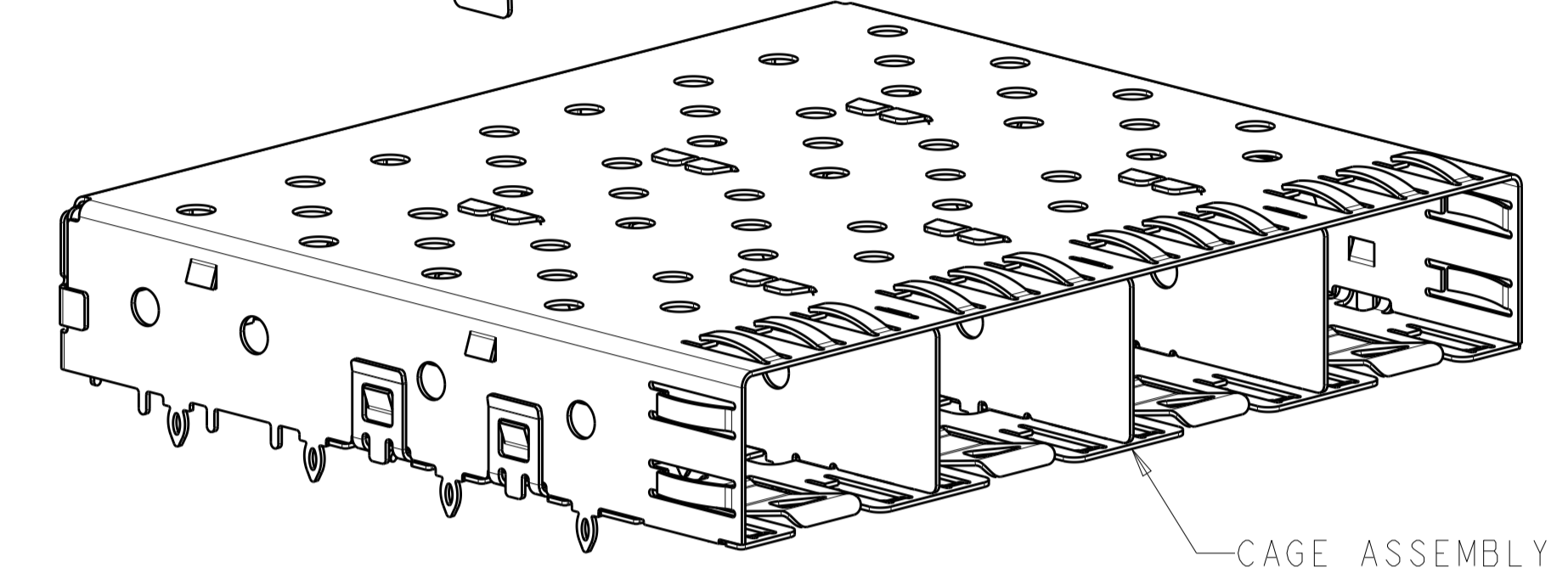
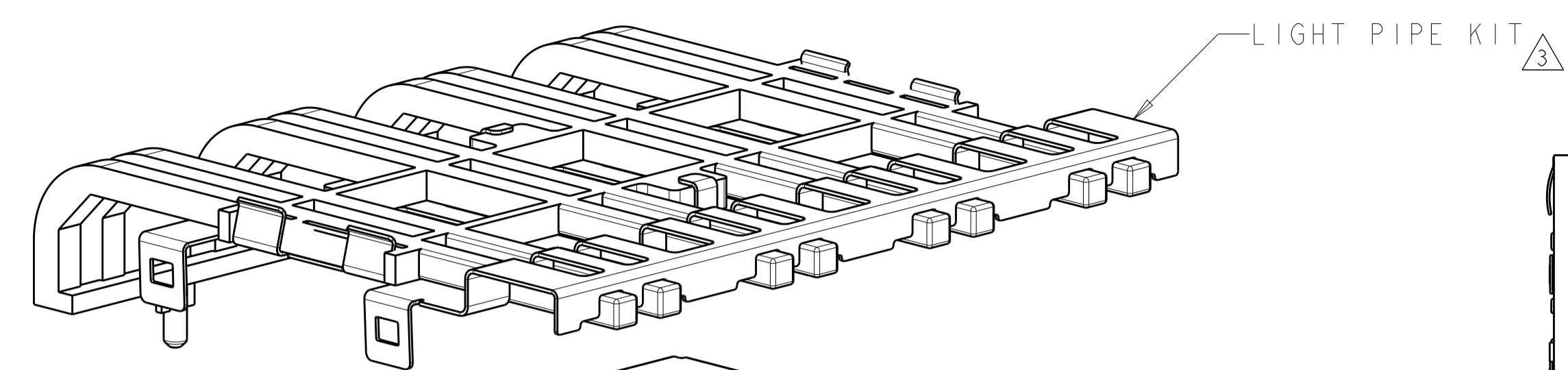
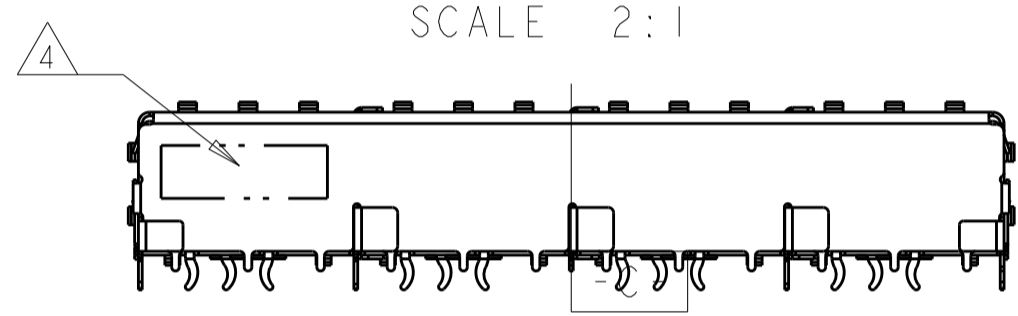
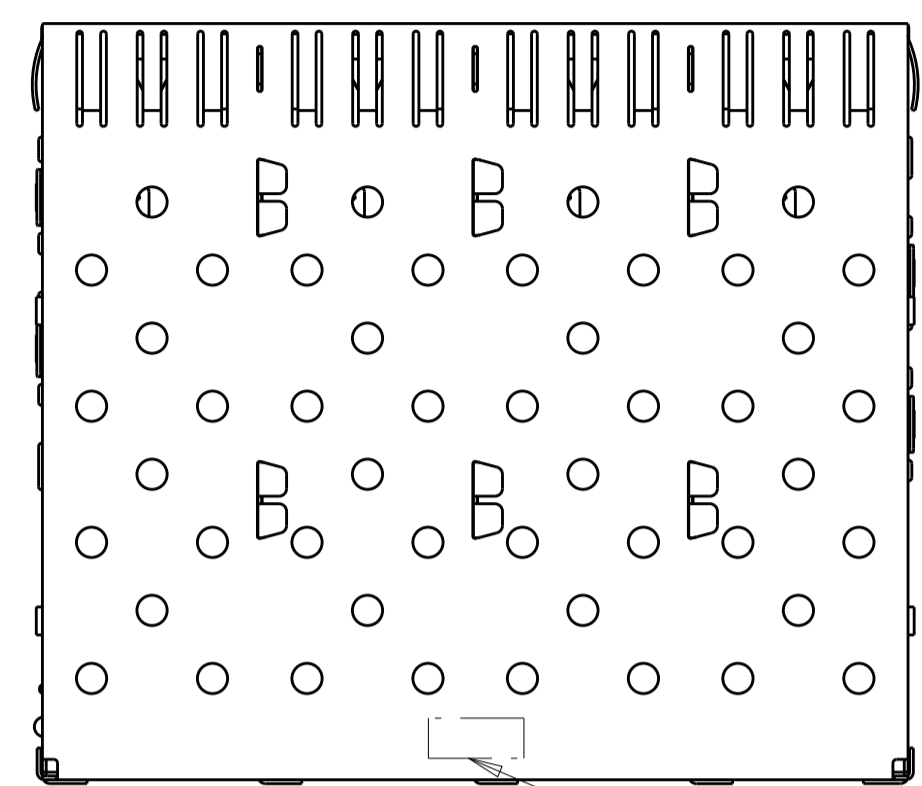


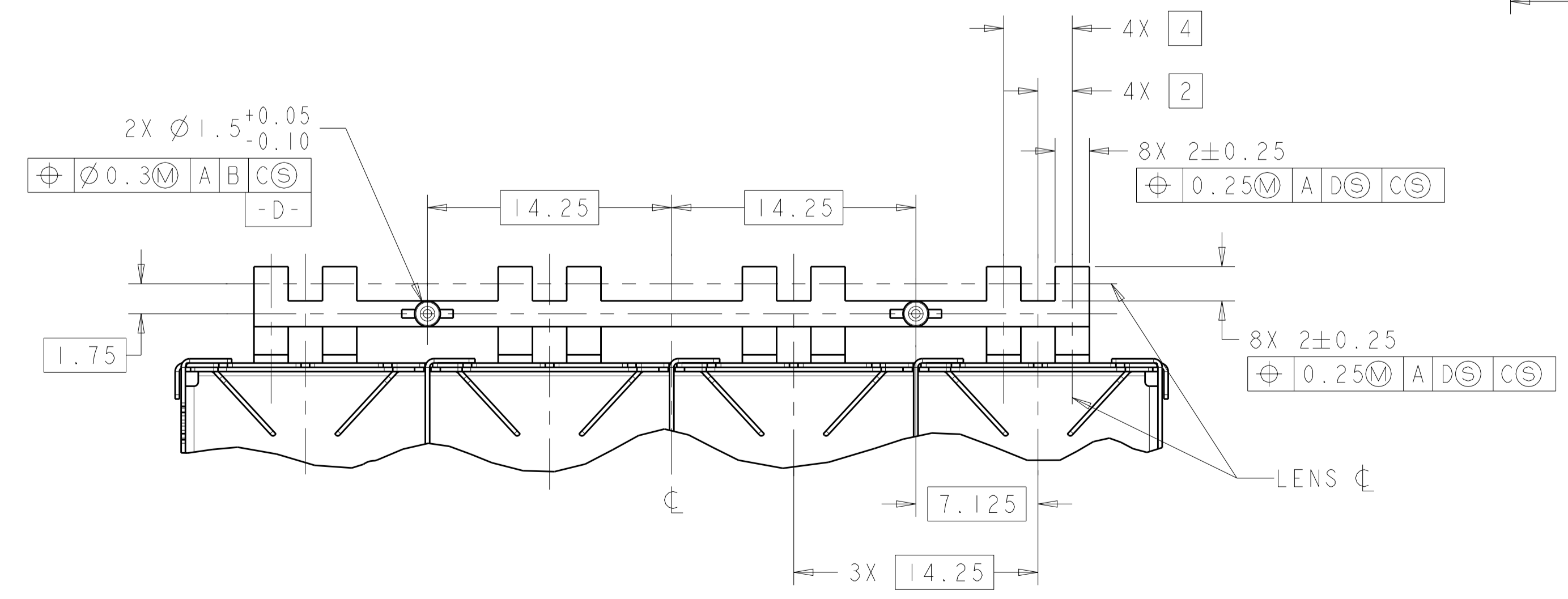
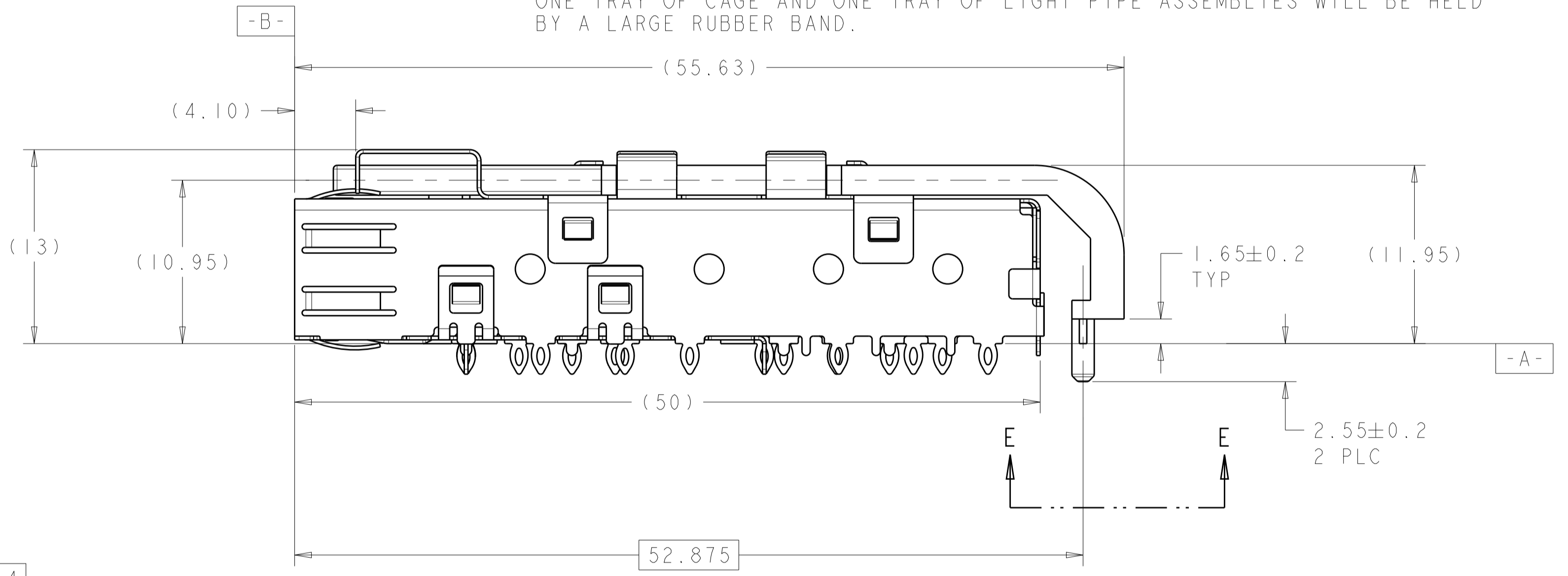
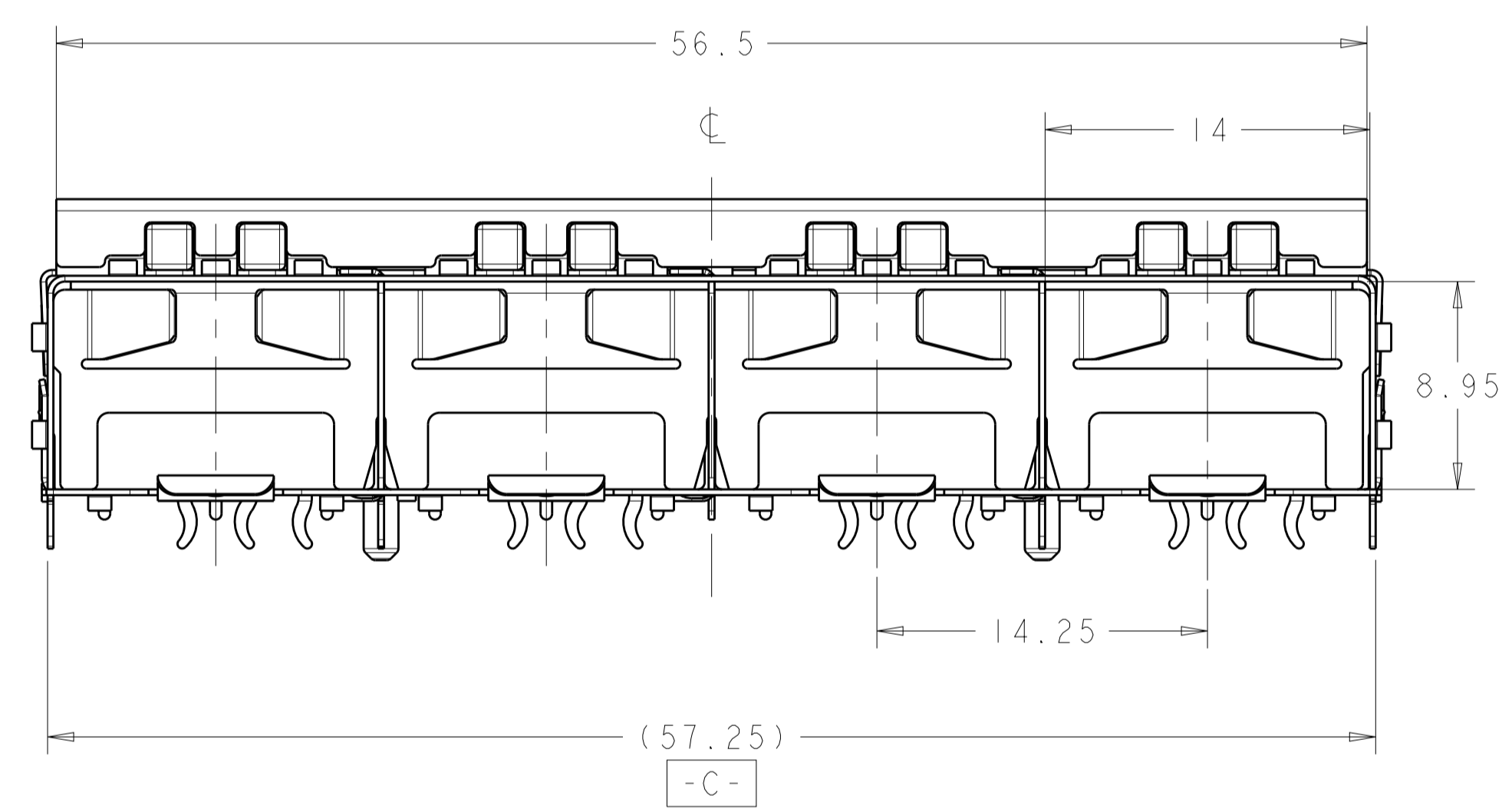
LOC	DIST	REVISIONS					
GP	00	P	LTN	DESCRIPTION	DATE	DWN	APVD
		E1		REVISED PER ECO-11-007052	06APR2011	JY	CW
		F		REVISED PER ECO-14-000886	20FEB2014	JW	SH
		F1		REVISED PER ECO-14-010419	11JUL2014	JW	SH
		G		REVISED PER ECO-15-013594	22SEP2015	JW	SH



1761008-1, -2, -3, -4
SCALE 3:1



- △ PADS AND VIAS CHASSIS GROUND.
- △ DATUM AND BASIC DIMENSIONS ESTABLISHED BY CUSTOMER.
- △ LIGHT PIPE KIT WHICH IS SEPARATE FROM THE CAGE ASSEMBLY. KIT TO BE ATTACHED AFTER SEATING OF 1658744-1&3 ON PCB.
- △ DATE CODE AND PART NUMBER IN APPROXIMATE AREA SHOWN LABEL ON CAGE ASSEMBLY WILL HAVE PART NUMBER 1658744-1&3.
- 5. REFERENCE STYLE 1 ON APPLICATION SPECIFICATION 114-13165 FOR ADDITIONAL INFORMATION ON CAGE ASSEMBLIES WITH LIGHT PIPES.
- △ REFERENCE APPLICATION SPEC 114-13120, HOLE A, FOR RECOMMENDED DRILL HOLE DIAMETER AND PLATING THICKNESSES.
- △ REFERENCE APPLICATION SPEC 114-13120, HOLE B, FOR RECOMMENDED DRILL HOLE DIAMETER AND PLATING THICKNESSES.
- △ PATTERN REPEATS FOR EACH PORT. SPACING BETWEEN PORTS IS 14.25mm.
- △ MINIMUM PC BOARD THICKNESS = 1.50mm.
- △ COMPANY LOGO IN APPROXIMATE AREA SHOWN.
- △ BOX WILL CONTAIN TRAYS OF CAGES AND TRAYS OF LIGHT PIPE ASSEMBLIES.
- △ BOX WILL CONTAIN TRAYS OF CAGES AND TRAYS OF LIGHT PIPE ASSEMBLIES. ONE TRAY OF CAGE AND ONE TRAY OF LIGHT PIPE ASSEMBLIES WILL BE HELD BY A LARGE RUBBER BAND.



VIEW E-E
ROTATED 90° COUNTERCLOCKWISE

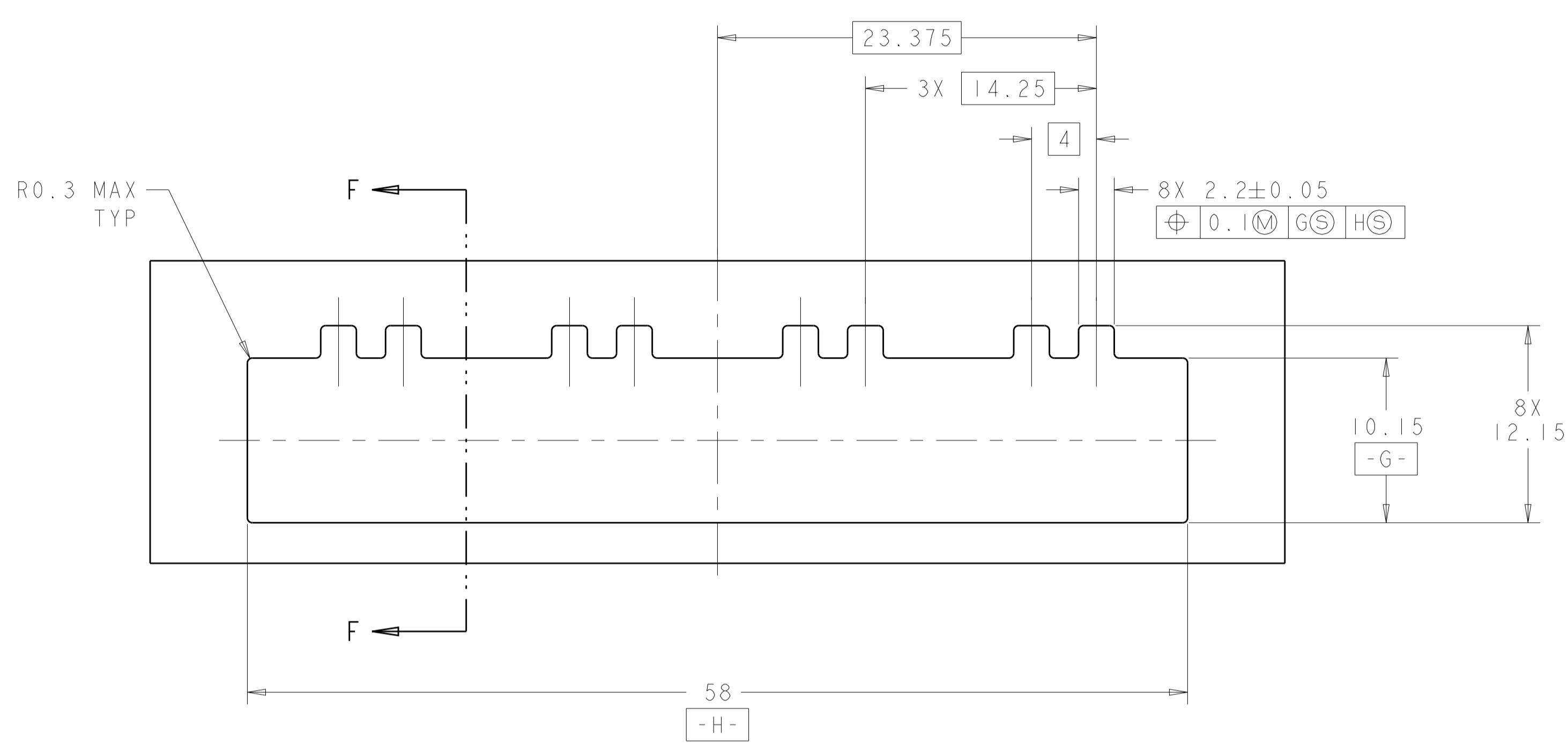
SUPERSEDED BY:
1761008-4
SUPERSEDED BY:
1761008-3

LIGHT PIPE KIT	CAGE ASSEMBLY	PACKAGE	DESCRIPTION	PART NO.
1761012-3	1658744-3	△2	1X4 ASSEMBLY	1761008-4
1761012-3	1658744-3	△1	1X4 ASSEMBLY	1761008-3
1761012-1	1658744-1	△2	1X4 ASSEMBLY	1761008-2
1761012-1	1658744-1	△1	1X4 ASSEMBLY	1761008-1

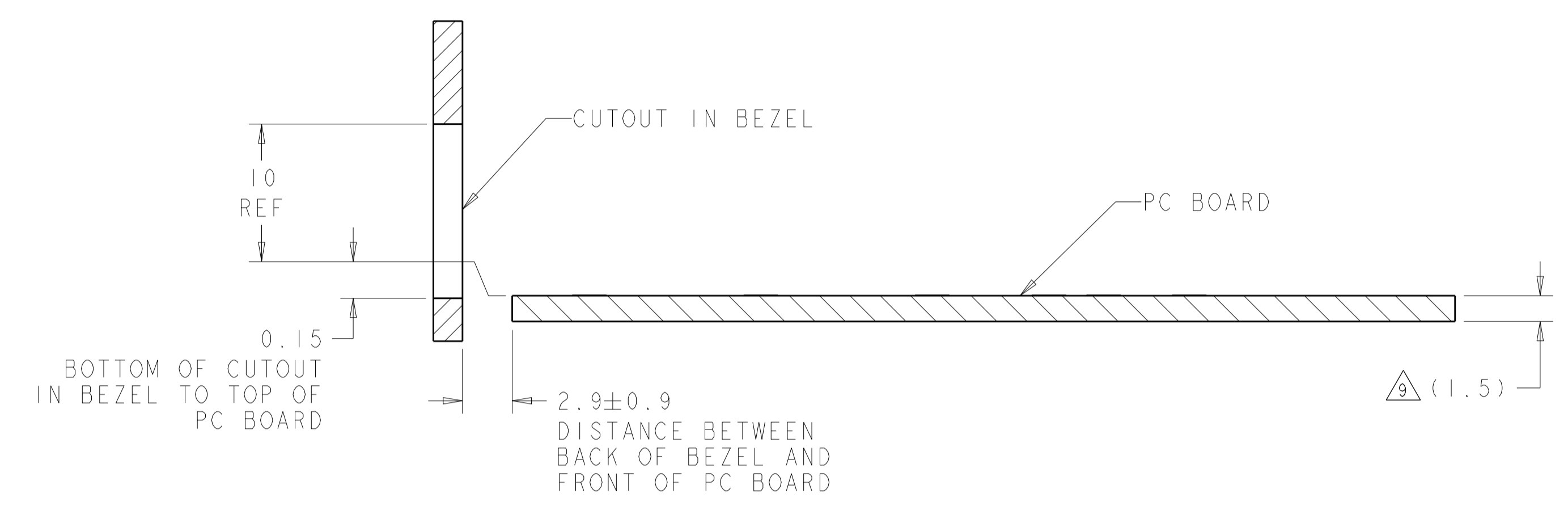
THIS DRAWING IS A CONTROLLED DOCUMENT.		DWN	J. VAN SCOYK	02FEB2004
DIMENSIONS:		CHK	M. PHILLIPS	02FEB2004
mm		APVD	M. PHILLIPS	02FEB2004
TOLERANCES UNLESS OTHERWISE SPECIFIED:		NAME		
0 PLC	±0.1	SFP		
1 PLC	±0.1	1X4 CAGE ASSEMBLY WITH LIGHT PIPE		
2 PLC	±0.10	PRODUCT SPEC		
3 PLC	±0.100	108-1950		
4 PLC	±0.100	APPLICATION SPEC		
ANGLES	±0°30'	114-13120		
MATERIAL:		WEIGHT:		
FINISH:		CUSTOMER DRAWING		

SCALE 4:1		SHEET 1 OF 3		REV G
-----------	--	--------------	--	-------

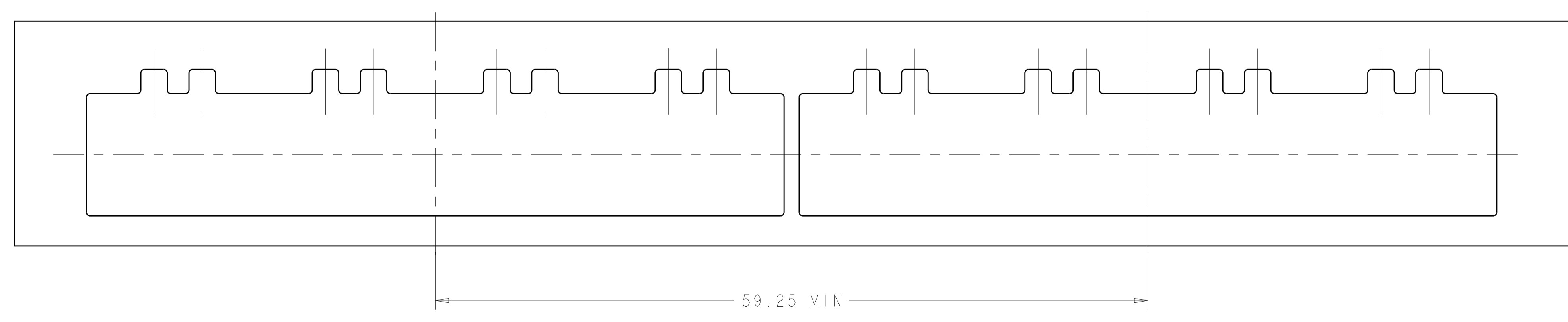
LOC		DIST		REVISIONS			
P	LTN	DESCRIPTION	DATE	DWN	APVD		
-	-	SEE SHEET 1	-	-	-		



RECOMMENDED BEZEL CUTOUT



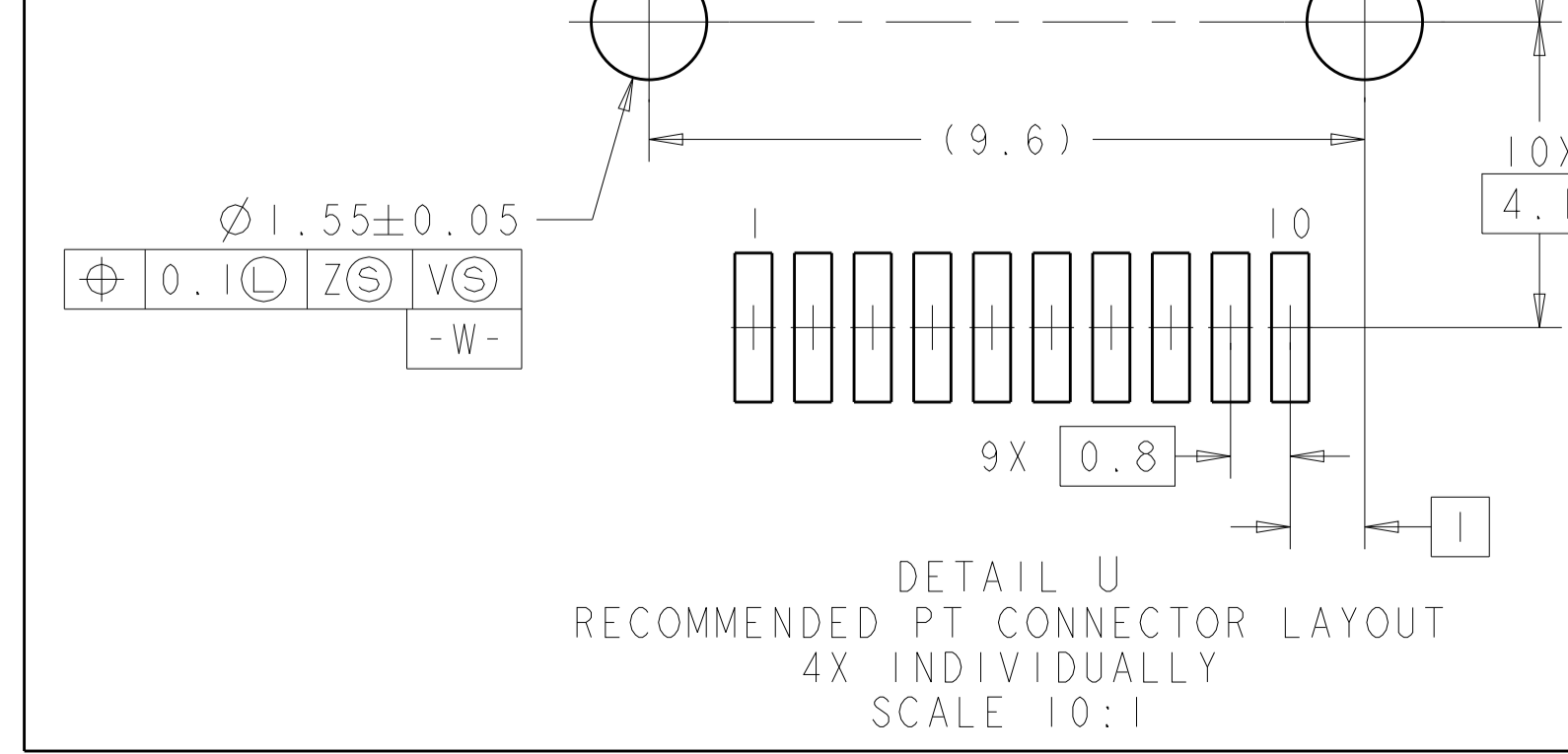
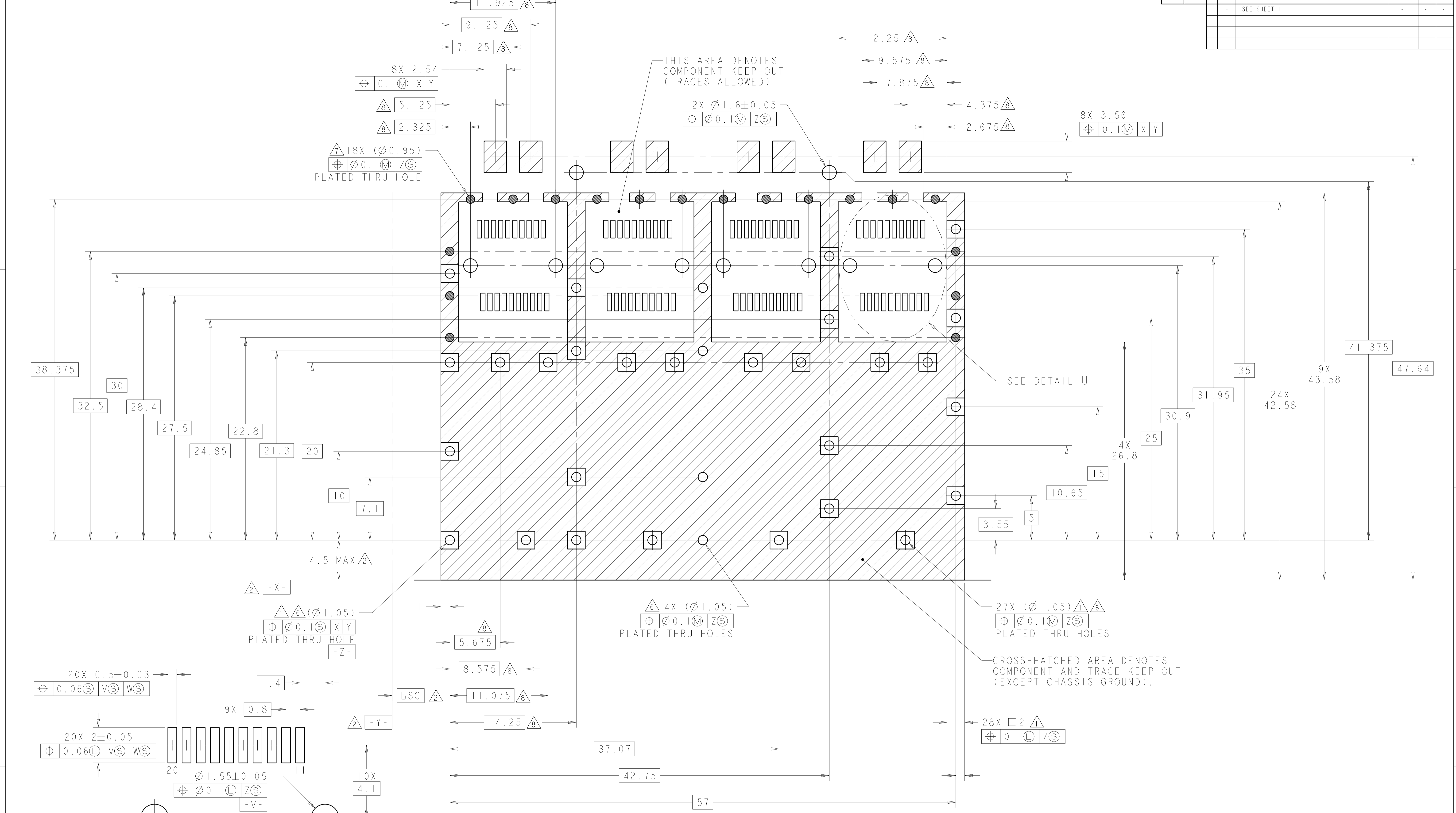
SECTION F-F
 RECOMMENDED BEZEL CONFIGURATION



THIS DRAWING IS A CONTROLLED DOCUMENT.		DWN: W. VAN SCOY	02FEB2004	TE Connectivity
DIMENSIONS: mm		CHK: M. PHILLIPS	02FEB2004	
TOLERANCES UNLESS OTHERWISE SPECIFIED: 0 PLC ±0.1 1 PLC ±0.1 2 PLC ±0.10 3 PLC ±0.100 4 PLC ± ANGLES ±° 30'		APVD: M. PHILLIPS	02FEB2004	NAME: SFP 1X4 CAGE ASSEMBLY WITH LIGHT PIPE
MATERIAL: -		FINISH: -	114-13120	SIZE: A100779
			WEIGHT: -	CAGE CODE: C=1761008
			CUSTOMER DRAWING	SCALE: 4:1 SHEET 2 OF 3 REV G

LOC	DIST	REV	DATE	BY	APPV
GP	00				

REVISIONS			
REV	DATE	BY	APPV
-	-	-	-
-	-	-	-



THIS DRAWING IS A CONTROLLED DOCUMENT.		DWN: W. VAN SCOOC 02FEB2004	 TE Connectivity
DIMENSIONS: mm		CHK: M. PHILLIPS 02FEB2004	
TOLERANCES UNLESS OTHERWISE SPECIFIED:		APVD: M. PHILLIPS 02FEB2004	NAME: SFP
0 PLC ± 0.1		PRODUCT SPEC: 108-1950	SIZE: CAGE CODE DRAWING NO: A100779 C=1761008
1 PLC ± 0.1		APPLICATION SPEC: 114-13120	RESTRICTED TO: -
2 PLC ± 0.10		WEIGHT: -	SCALE: 4:1 SHEET 3 OF 3 REV G
3 PLC ± 0.100		CUSTOMER DRAWING	
4 PLC ± 0.15			
ANGLES: $\pm 30^\circ$			
FINISH: -			

Mouser Electronics

Authorized Distributor

Click to View Pricing, Inventory, Delivery & Lifecycle Information:

[TE Connectivity:](#)

[1761008-3](#)