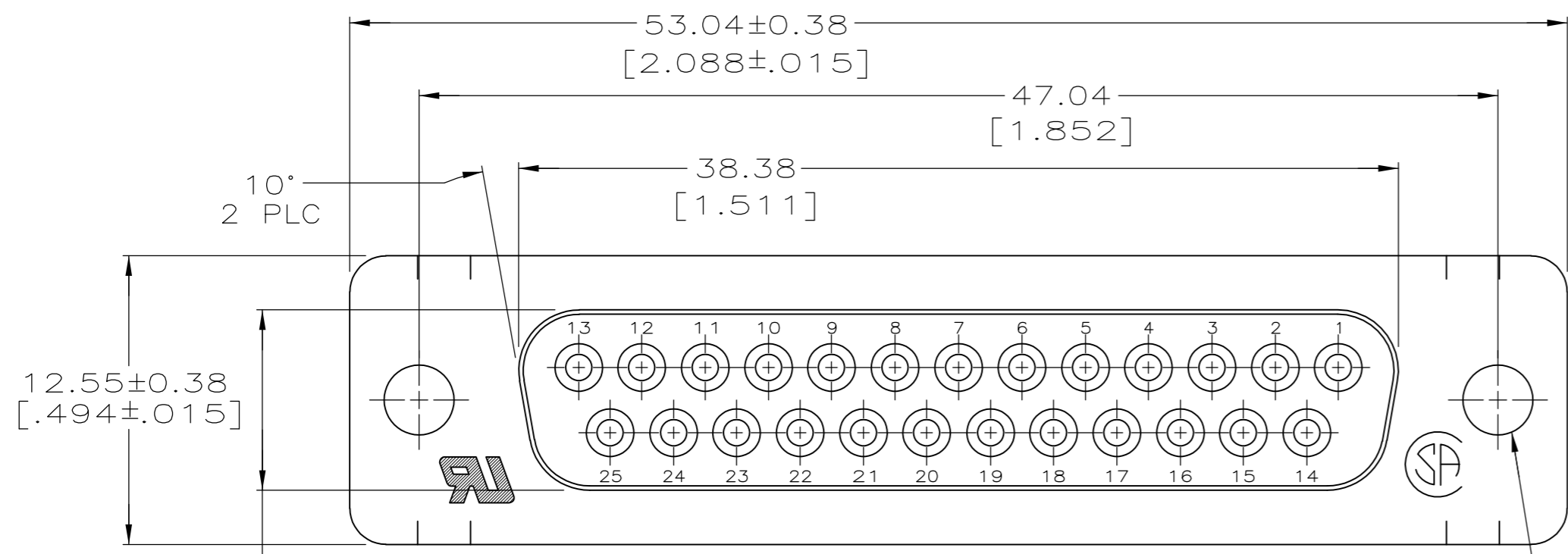
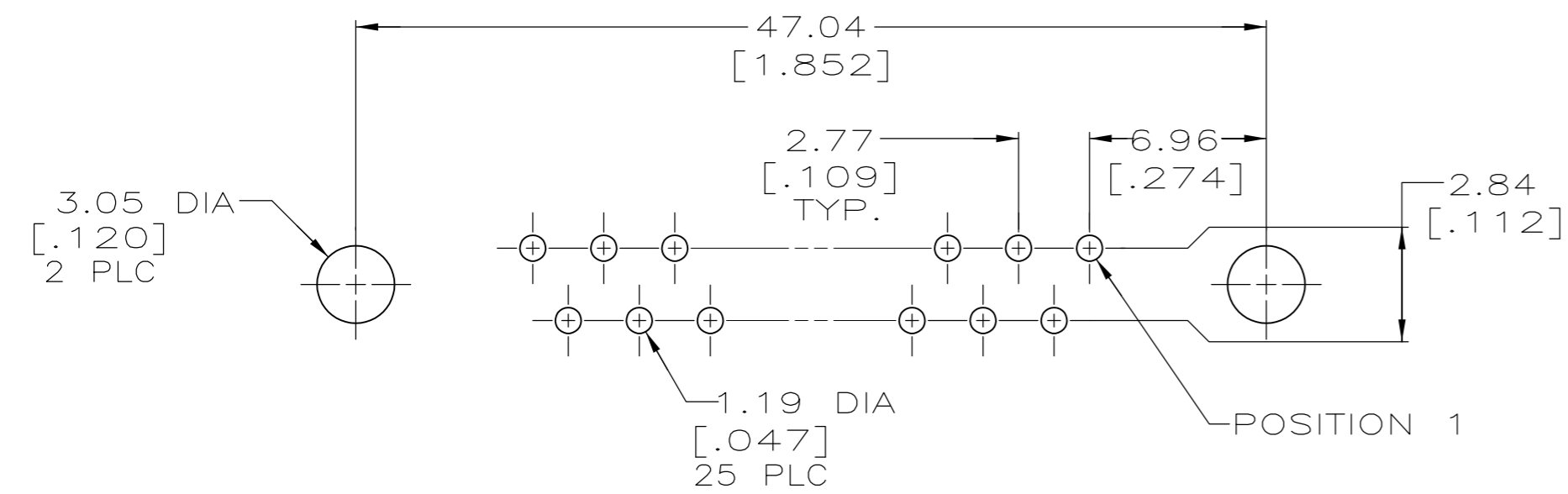
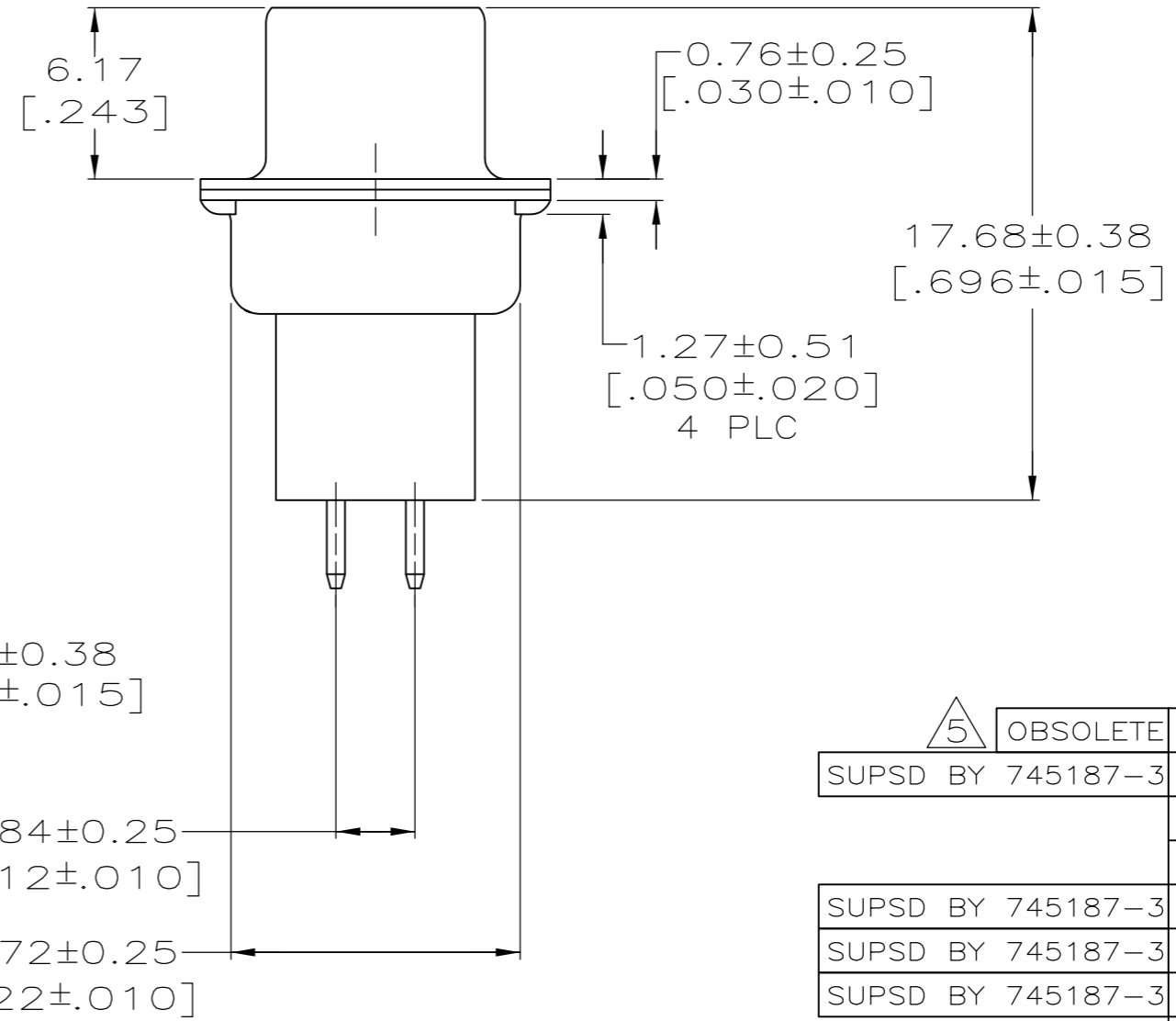
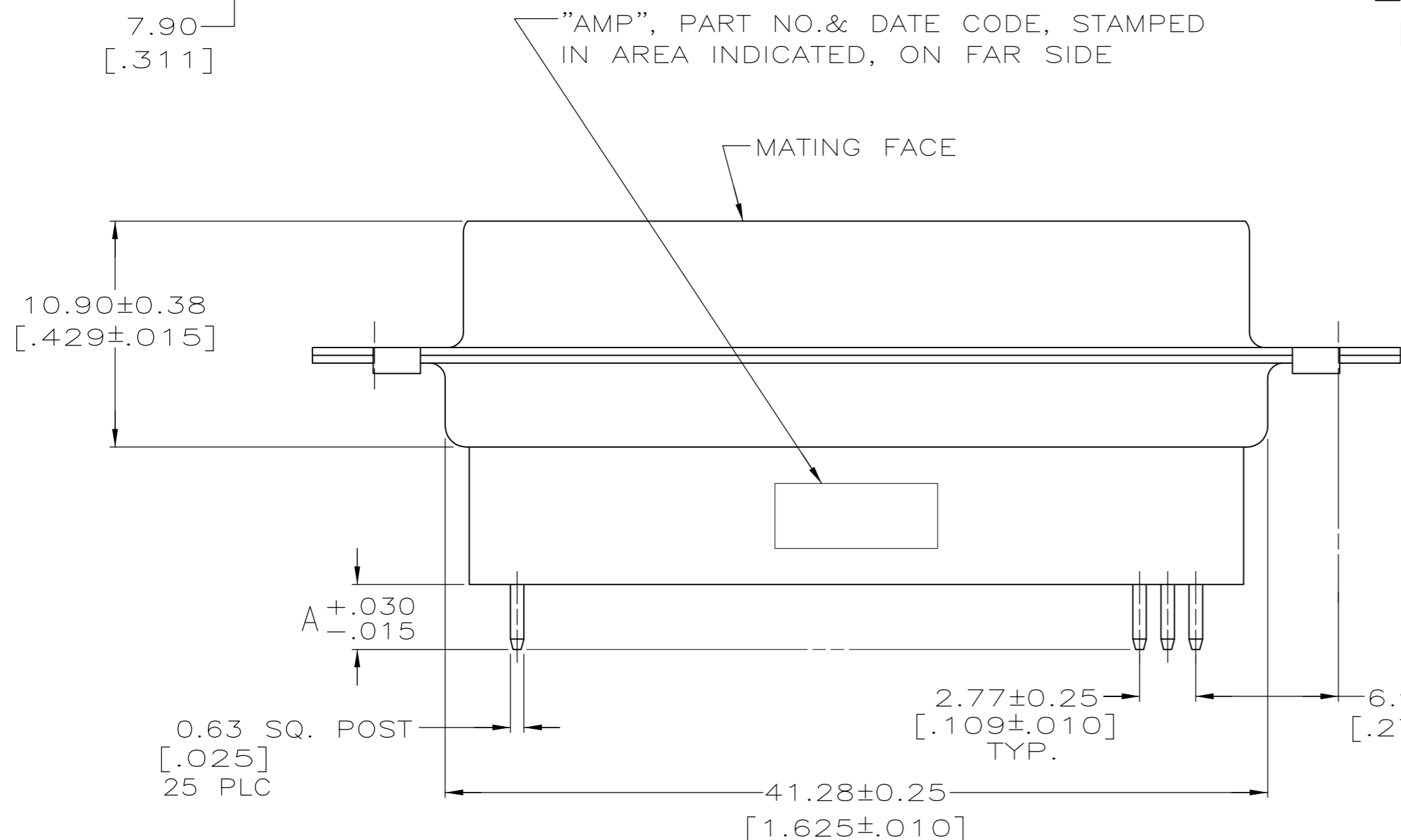


THIS DRAWING IS UNPUBLISHED. RELEASED FOR PUBLICATION
 © COPYRIGHT BY TYCO ELECTRONICS CORPORATION. ALL RIGHTS RESERVED.

| LOC | | DIST | | REVISIONS | | | |
|-----|-----|---------------------------|-----------|-----------|------|--|--|
| P | LTR | DESCRIPTION | DATE | DWN | APVD | | |
| GP | 00 | | | | | | |
| | P | REVISED PER ECO-10-000073 | 17FEB2010 | CJV | SB | | |



- NOTE DELETED.
- MOLDED PARTS: FLAME RETARDANT 94V-0 RATED THERMOPLASTIC; COLOR: BLACK. SHELLS: STEEL, CONTACTS: PHOS. BRONZE.
- GOLD FLASH ON MATING END, 2.54µm [.000100] MIN TIN-LEAD ON SOLDER END, ALL OVER 1.27µm [.000050] MIN NICKEL.
- 0.76µm [.000030] MIN GOLD ON MATING END, 2.54µm [.000100] MIN TIN-LEAD ON OPPOSITE END, ALL OVER 1.27µm [.000050] MIN NICKEL. -OR- GOLD FLASH OVER PALLADIUM-NICKEL 0.76µm [.000030] MIN TOTAL ON MATING END, 2.54µm [.000100] MIN TIN-LEAD ON OPPOSITE END, BOTH OVER 1.27µm [.000050] MIN NICKEL.
- SELECTIVELY LOADED CAVITIES 2,3,4,5,8,10,14,15,16,17,21,23, AND 24.
- 5.08µm [.000200] MIN TIN OVER 2.54µm [.000100] MIN COPPER.



P.C. BOARD MOUNTING DIMENSIONS

| CONTACT FINISH | DIMENSION A | PART NUMBER |
|-------------------|--------------|-------------|
| 5 OBSOLETE | 3.17 [.125] | 1-745187-0 |
| SUPSD BY 745187-3 | 8.43 [.332] | 745187-9 |
| | 4.77 [.188] | 745187-8 |
| | 4.77 [.188] | 745187-7 |
| SUPSD BY 745187-3 | 16.53 [.651] | 745187-6 |
| SUPSD BY 745187-3 | 16.53 [.651] | 745187-5 |
| SUPSD BY 745187-3 | 10.84 [.427] | 745187-4 |
| | 10.84 [.427] | 745187-3 |
| SUPSD BY 745187-1 | 3.17 [.125] | 745187-2 |
| | 3.17 [.125] | 745187-1 |

| | | | | |
|--|---------------------|----------------------------|---|-----------------|
| THIS DRAWING IS A CONTROLLED DOCUMENT. | | DWN J.GERACE 10/24/83 | Tyco Electronics Corporation Harrisburg, PA 17105-3608 | |
| DIMENSIONS: mm [INCHES] | | CHK J.GERACE 10/24/83 | RECEPTACLE ASSEMBLY, SIZE 3, 25 POSITION, VERTICAL, AMPLIMITE™HDP | |
| TOLERANCES UNLESS OTHERWISE SPECIFIED: | | APVD B. TAYLOR 1-04-84 | SIZE A2 | CAGE CODE 00779 |
| 0 PLC ± - | 1 PLC ± - | PRODUCT SPEC 108-40025 | DRAWING NO C=745187 | RESTRICTED TO - |
| 2 PLC ± - | 3 PLC ± 0.13 [.005] | APPLICATION SPEC 114-40013 | SCALE NTS | SHEET 1 OF 1 |
| 4 PLC ± - | ANGLES ± 2° | WEIGHT - | CUSTOMER DRAWING | REV P |
| FINISH SHELLS: 6 CONTACTS: SEE TABLE | | | | |

Mouser Electronics

Authorized Distributor

Click to View Pricing, Inventory, Delivery & Lifecycle Information:

[TE Connectivity:](#)

[745187-7](#)