

# Customer Information Sheet

DRAWING No.: M22-714XX42

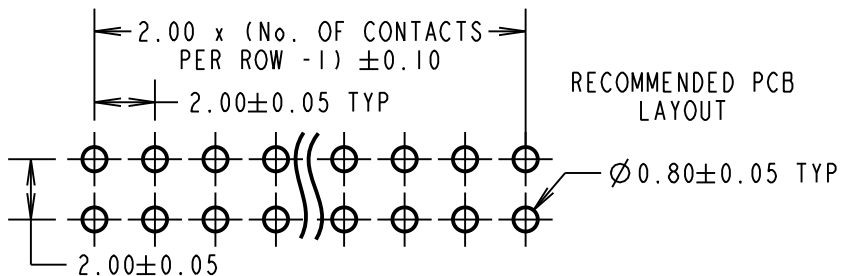
IF IN DOUBT - ASK

Ⓒ

NOT TO SCALE

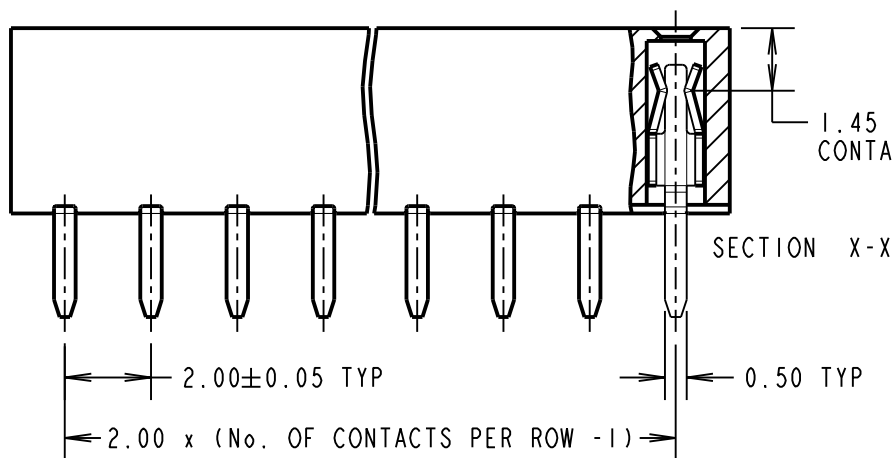
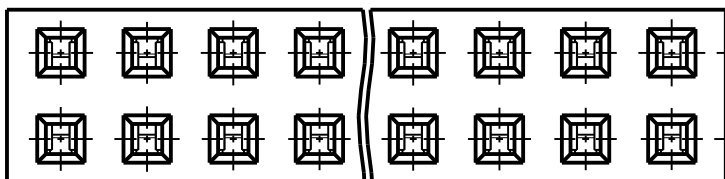
THIRD ANGLE PROJECTION

ALL DIMENSIONS IN mm



RECOMMENDED PCB LAYOUT

(2 x No. OF CONTACTS PER ROW) + 0.50 ± 0.30



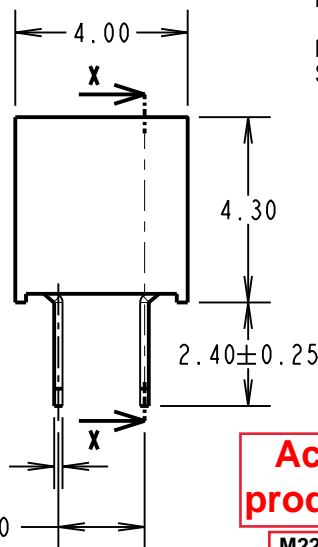
ORDER CODE:

**M22-714XX42**

No. OF CONTACTS PER ROW:  
03 TO 25

FINISH:  
42 = GOLD FLASH ON CONTACT,  
100% TIN ON TAILS

**OBSOLETE**  
All other size/finish combinations not listed below



**Active products:**

M22-7140342  
M22-7140442  
M22-7140542

SPECIFICATION:

MATERIAL:  
MOULDING = LCP UL94V-0, BLACK  
CONTACTS = PHOSPHOR BRONZE  
FINISH: (OVER NICKEL)  
42 = 0.76 - 1.27µ NICKEL ALL OVER,  
GOLD ON CONTACT AREA,  
2.54µ 100% TIN ON TAILS  
MECHANICAL:  
DURABILITY = 5000 CYCLES MAX  
INSERTION FORCE = 2N MAX PER PIN  
WITHDRAWAL FORCE = 0.2N MIN PER PIN  
ELECTRICAL:  
CURRENT RATING = 2A AC/DC  
CONTACT RESISTANCE = 20mΩ MAX  
INSULATION RESISTANCE = 5000MΩ MIN  
DIELECTRIC WITHSTANDING = 500V AC FOR 1 MIN  
ENVIRONMENTAL:  
TEMPERATURE RANGE = -40° TO +105°  
PACKING:  
TUBE  
FOR COMPLETE SPECIFICATION SEE COMPONENT SPECIFICATION C018XX (LATEST ISSUE)

NOTE:

1. ALL TOLERANCES ARE ±0.15, UNLESS OTHERWISE STATED.

M22-7140642  
M22-7140742  
M22-7140842  
M22-7141042  
M22-7141142  
M22-7141242  
M22-7141342  
M22-7141442  
M22-7141642  
M22-7141742  
M22-7141842  
M22-7142042  
M22-7142342  
M22-7142542

MSP	10	26.10.16	13421
NAME	ISS.	DATE	C/NOTE
APPROVED:		M.PERREN	
CHECKED:		S.BENNETT	
DRAWN:		J. EVANS	
CUSTOMER REF.:			
ASSEMBLY DRG:			

**HARWIN**

www.harwin.com  
technical@harwin.com

THIS DRAWING AND ANY INFORMATION OR DESCRIPTIVE MATTER SET OUT HEREON ARE CONFIDENTIAL AND COPYRIGHT PROPERTY OF THE HARWIN GROUP AND MUST NOT BE DISCLOSED, LOANED, COPIED OR USED FOR MANUFACTURING, TENDERING OR FOR ANY OTHER PURPOSE WITHOUT THEIR WRITTEN PERMISSION.

TOLERANCES

~~X = ±1mm  
X.X = ±0.50mm  
X.XX = ±0.10mm  
X.XXX = ±0.01mm  
ANGLES = ±5°  
UNLESS STATED~~

MATERIAL:

SEE ABOVE

FINISH:

SEE ABOVE

S/AREA:

mm<sup>2</sup>

TITLE:

2.00mm PITCH DIL VERTICAL SOCKET ASSEMBLY

DRAWING NUMBER:

**M22-714XX42**

SHT  
2 OF 2

# Mouser Electronics

Authorized Distributor

Click to View Pricing, Inventory, Delivery & Lifecycle Information:

[Harwin:](#)

[M22-7142242](#) [M22-7142042](#) [M22-7142442](#) [M22-7141742](#) [M22-7141342](#) [M22-7141142](#) [M22-7141942](#) [M22-7141542](#) [M22-7140542](#) [M22-7140942](#) [M22-7140742](#) [M22-7140342](#) [M22-7141442](#) [M22-7141042](#) [M22-7140642](#) [M22-7141842](#) [M22-7141642](#) [M22-7140442](#) [M22-7140842](#) [M22-7141242](#) [M22-7142142](#) [M22-7142542](#) [M22-7142342](#)