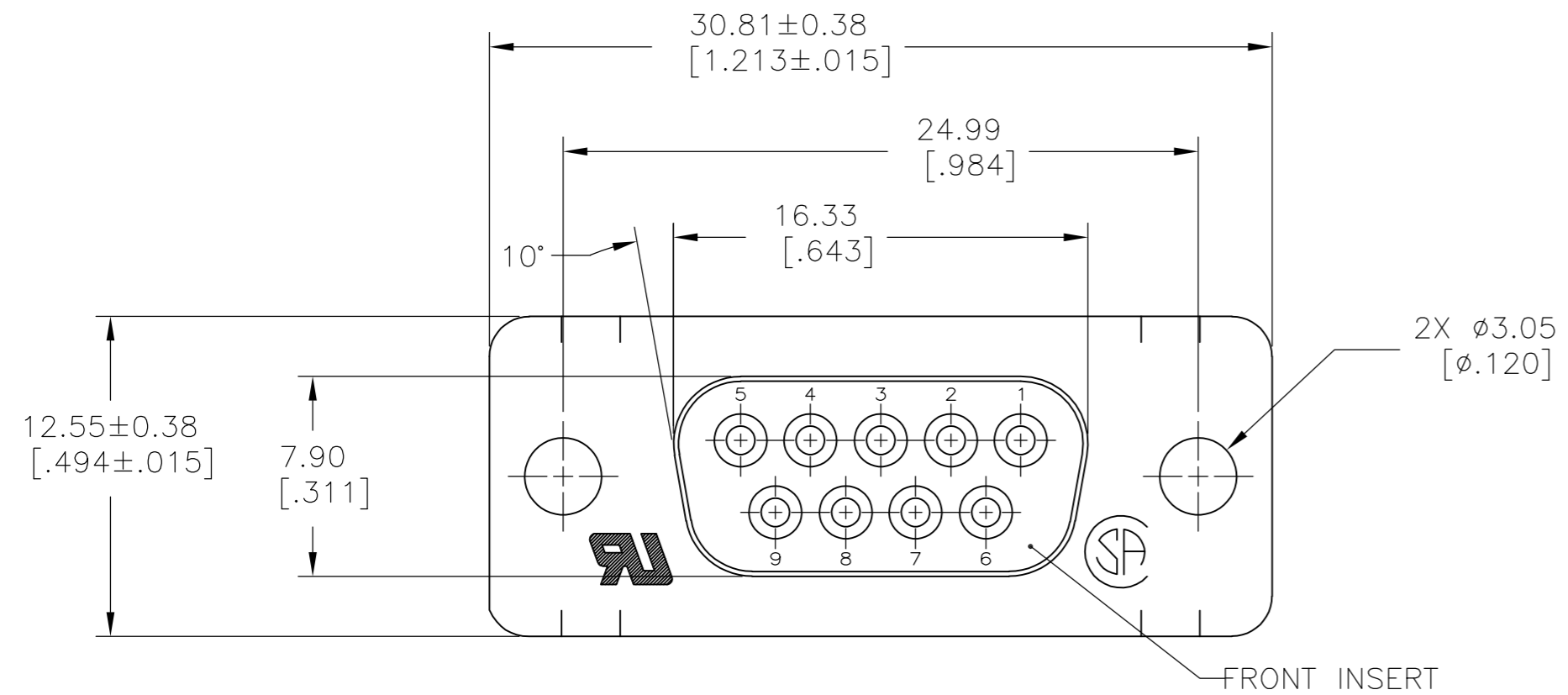
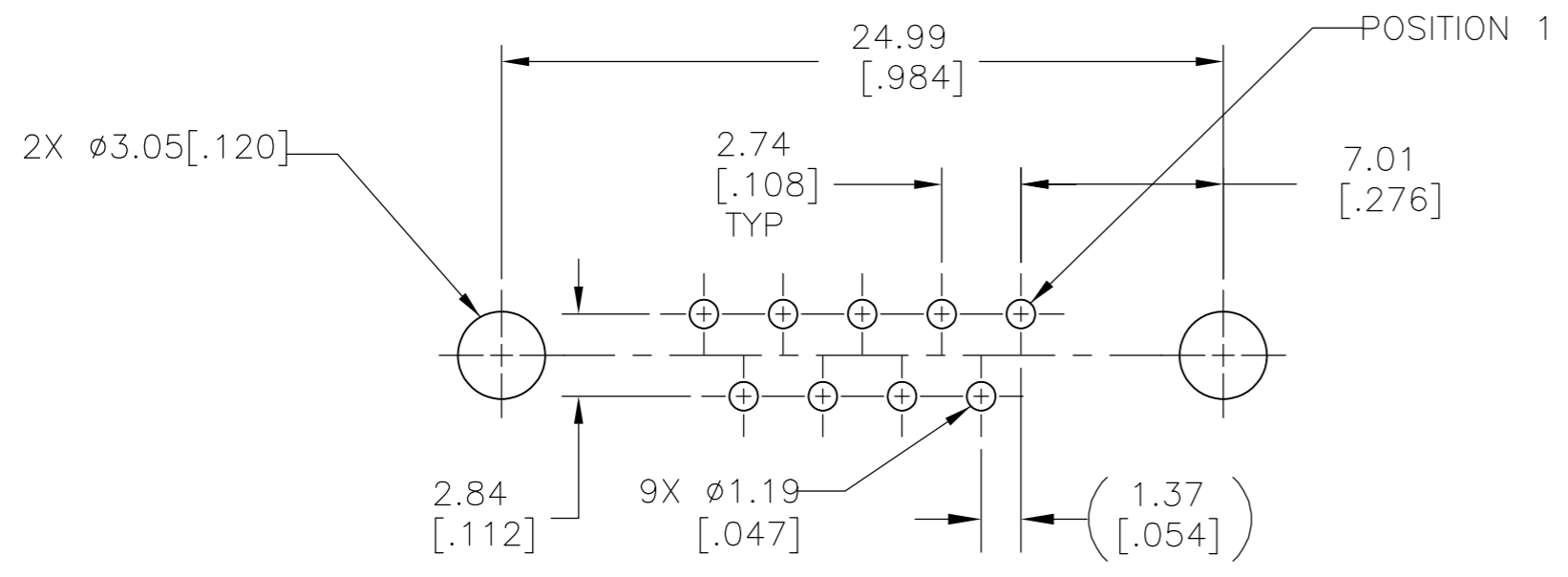
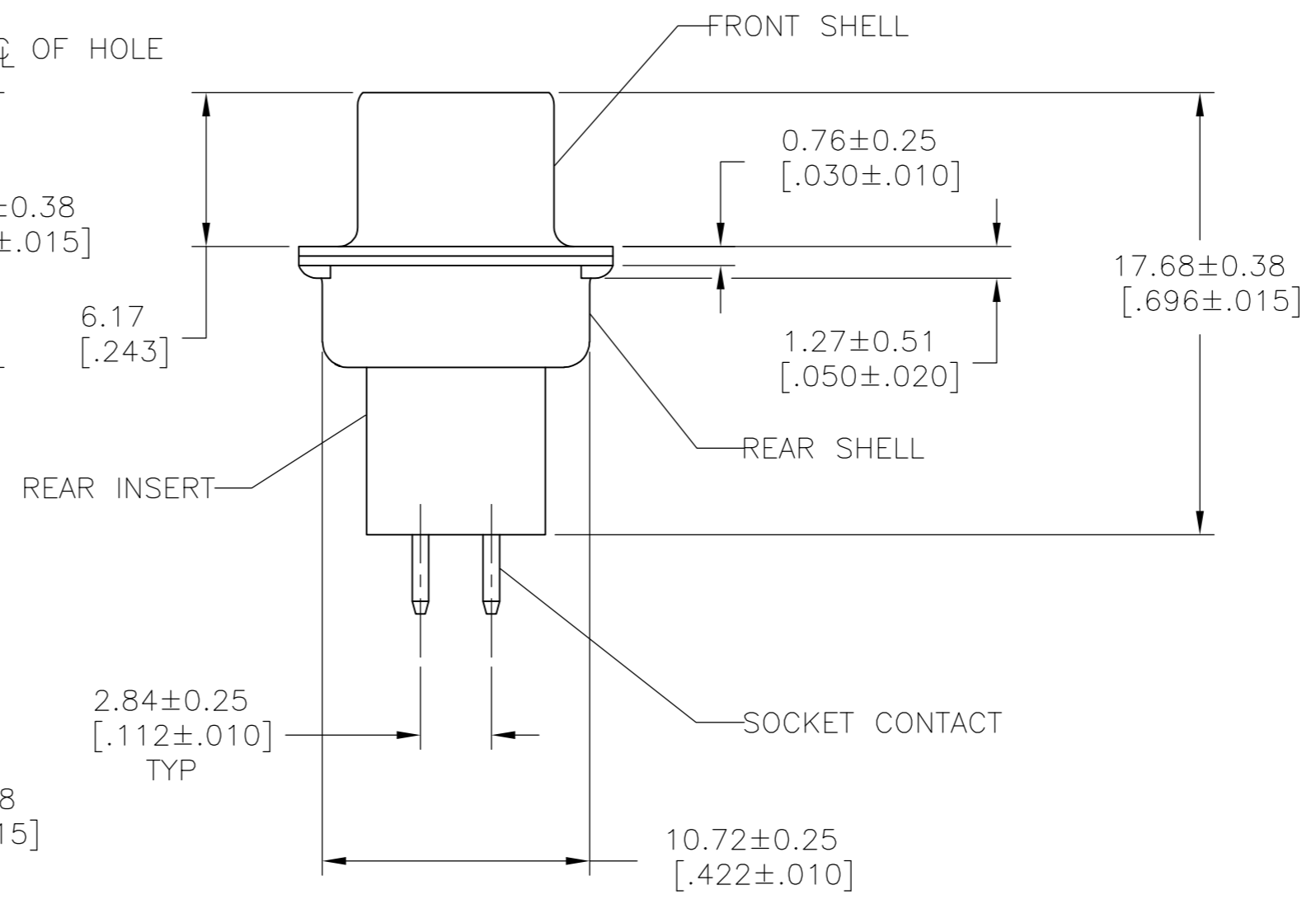
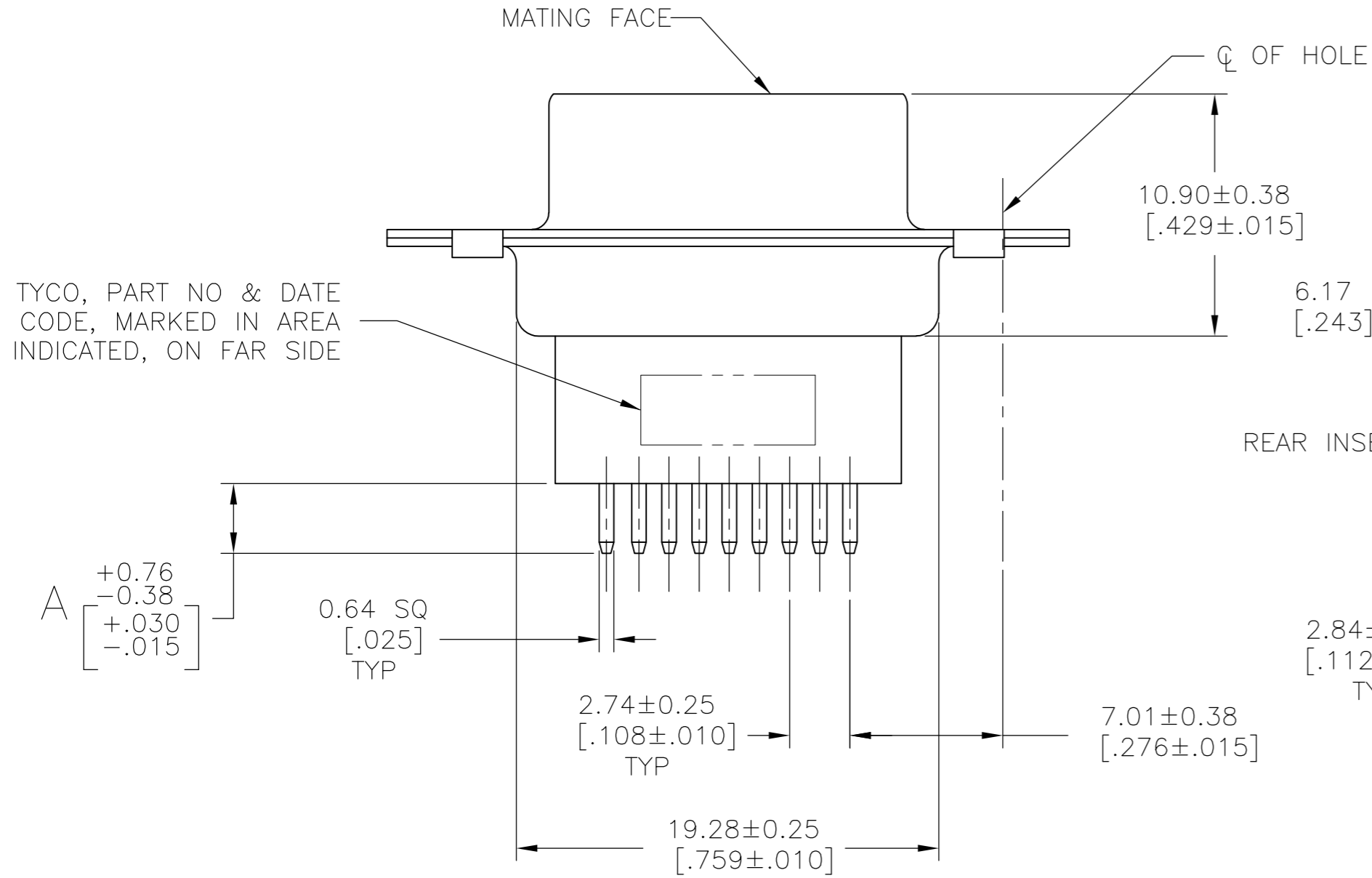


THIS DRAWING IS UNPUBLISHED. RELEASED FOR PUBLICATION  
 © COPYRIGHT 2005 By - ALL RIGHTS RESERVED.

LOC		DIST		REVISIONS			
P	LTR	DESCRIPTION	DATE	DWN	APVD		
GP	00						
	D	REVISED PER ECO-14-011808	11AUG2014	AP	SB		



- ⚠ MOLDED PARTS: GLASS-FILLED PBT OR GLASS-FILLED NYLON, UL94V-0 RATED. COLOR: BLACK.  
SHELLS: CARBON STEEL  
CONTACTS: PHOS BRONZE
- ⚠ SHELLS: 5.08µm [.000200] MIN TIN OVER 2.54µm [.000100] MIN COPPER.  
CONTACTS: SEE TABLE
- ⚠ 0.76µm [.000030] MIN GOLD ON MATING END, 2.54µm [.000100] MIN TIN ON SOLDER END, BOTH OVER 1.27µm [.000050] MIN NICKEL  
-OR-  
GOLD FLASH OVER PALLADIUM-NICKEL, 0.76µm [.000030] MIN TOTAL ON MATING END, 2.54µm [.000100] MIN TIN ON SOLDER END, BOTH OVER 1.27µm [.000050] MIN NICKEL.
- ⚠ GOLD FLASH ON SOLDER END, 2.54µm [.000100] MIN TIN ON SOLDER END, BOTH OVER 1.27µm [.000050] MIN NICKEL.



⚠	4.78 [.188]	5745183-7
⚠	10.85 [.427]	5745183-3
⚠	3.18 [.125]	5745183-2
⚠	3.18 [.125]	5745183-1
GOLD FINISH	A	PART NUMBER

THIS DRAWING IS A CONTROLLED DOCUMENT.		DWN	07SEPT05	TE Connectivity	
DIMENSIONS: mm [INCHES]		CHK	07SEPT05		
TOLERANCES UNLESS OTHERWISE SPECIFIED:		APVD	07SEPT05		
0 PLC ± -		NAME			
1 PLC ± -		PRODUCT SPEC	108-40025		
2 PLC ± 0.13 [.005]		APPLICATION SPEC	114-40013	SIZE	A2
3 PLC ± -		MATERIAL	1	CAGE CODE	00779
4 PLC ± -		FINISH	2	DRAWING NO	C=5745183
ANGLES ± 2°		WEIGHT	-	RESTRICTED TO	-
FINISH		CUSTOMER DRAWING		SCALE	NTS
				SHEET	1 of 1
				REV	D

# Mouser Electronics

Authorized Distributor

Click to View Pricing, Inventory, Delivery & Lifecycle Information:

[TE Connectivity:](#)

[5745183-3](#)