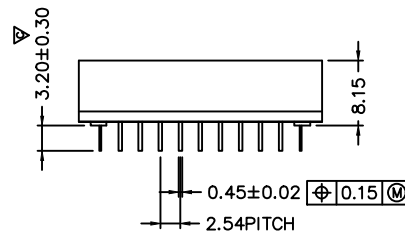
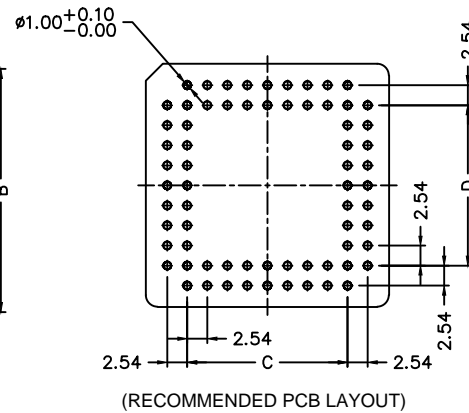
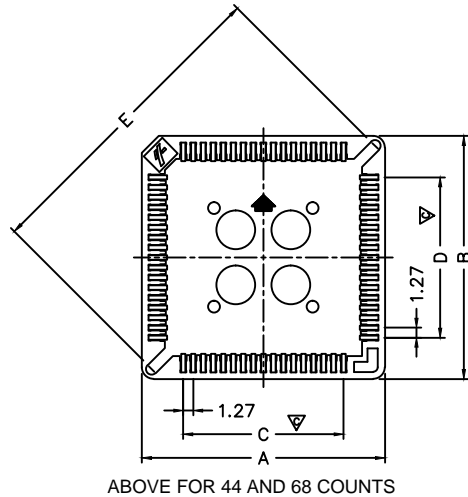
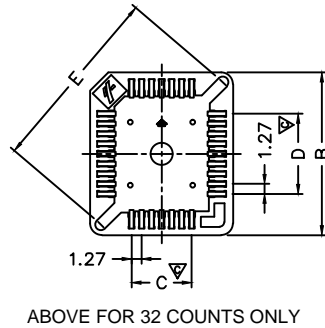




Copyright FCI.



NOTES:

1 MATERIAL:
HOUSING: PPS UL94 V-0, Brown.
CONTACT: Copper Alloy.

2 FINISH:
CONTACT: 100 μ m Min. Lead free Tin plated on soldering end over 50 μ m Min. Nickel under-plating.

3 ORDER INFORMATION:
54020-XX 0 3 0 LF

| | | |
|---------------------|--------------------------|---------------------------------|
| Series No. | <input type="checkbox"/> | Lead Free. |
| No. of Contacts: | <input type="checkbox"/> | Post/Packaging: |
| 32 44 68 | | 0-Without Post/In tube package. |
| Contact plated: | <input type="checkbox"/> | Housing Material/Color: |
| 0-Tin alloy plated. | | 3-PPS/Brown. |

4 SPECIFICATION:
Current Rating: 1A Max.
Dielectric Strength: 600V AC RMS for 1 minute.
Contact Resistance: 20 m Ω MAX.
Insulator Resistance: 1000M Ω min. at 500V DC.
Temperature: -40°C to +105°C
Durability: 25 Cycles.

5 PRODUCT SPECIFICATION: GES-12-054.

6 MANUFACTURING PROCESS COMPATIBILITY
The housing will withstand exposure to 245°C solder bath temperature for 5 second in a wave solder application.

| A/P PART NO. | Dimension(mm) | | | | | MCK PART NO. |
|---------------|---------------|-------------|-------------|-------------|-------------|--------------|
| | A ± 0.2 | B ± 0.2 | C ± 0.1 | D ± 0.1 | E ± 0.2 | |
| 54020-32030LF | 17.80 | 20.20 | 7.62 | 10.16 | 23.85 | PLCC-32P-T |
| 54020-44030LF | 23.18 | 23.18 | 12.70 | 12.70 | 29.00 | PLCC-44P-T |
| 54020-68030LF | 30.88 | 30.88 | 20.32 | 20.32 | 40.00 | PLCC-68P-T-2 |

| rev | ecn no | dr | date |
|-----|-------------|-----|---------|
| K | ELX-I-20940 | SAL | 5/21/15 |
| - | - | - | - |
| E | T05-0114 | JH | 5/9/05 |
| F | T05-0212 | JH | 9/21/05 |
| G | T10-0010 | JH | 1/25/10 |
| H | T11-0002 | JH | 1/11/11 |
| J | T11-0018 | JH | 3/25/11 |

| | | | | | |
|-----------------------|-------------|---|----------------|------------|-----------------------|
| www.fciconnect.com | | surface <input checked="" type="checkbox"/> | tolerance std | projection | MM |
| | | TOLERANCES UNLESS OTHERWISE SPECIFIED | | \oplus | \longleftrightarrow |
| Dr | Jason Hsu | 1/11/11 | ANGULAR | 0.X | ± 0.25 |
| Eng | Jason Hsu | 1/11/11 | LINEAR | 0.XX | ± 0.15 |
| Chr | S Alosius | 5/21/15 | 0° | 0.XXX | ± 0.10 |
| Appr | BiJu K Paul | 5/21/15 | Product family | | ECN ELX-I-20940 |
| title PLCC DIP Socket | | | | | Spec ref |
| catalog no | | | | dwg no | 54020 |
| | | | | Rev. | K |
| | | | | CUSTOMER | sheet 1 of 2 |

1

2

3

4

A

A

B

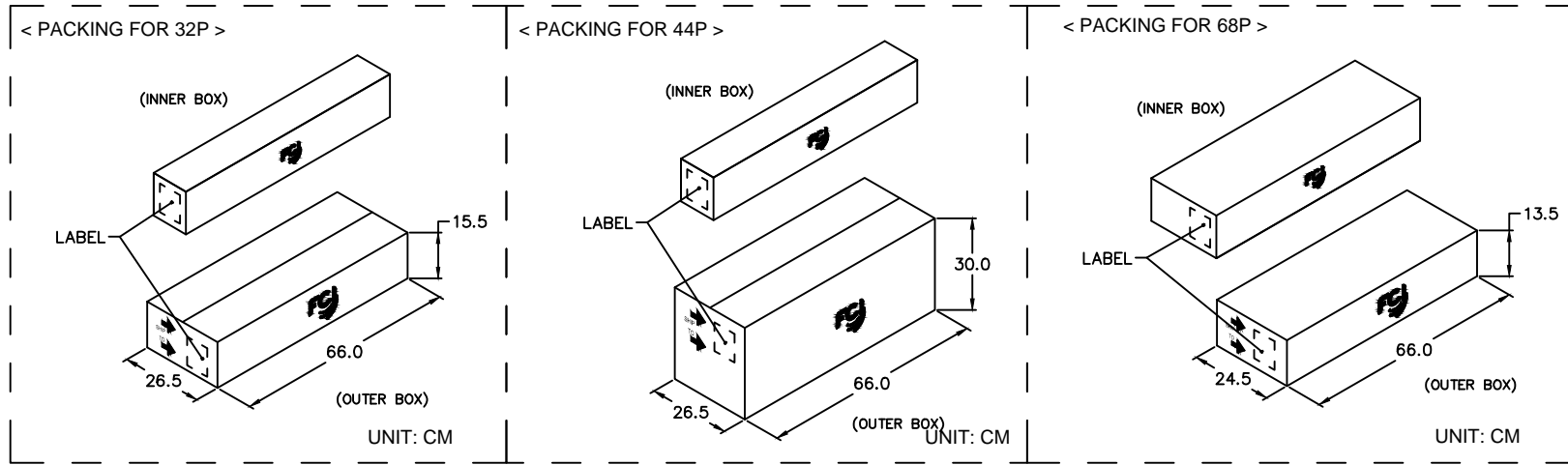
B

C

C

D

D



Copyright FCI.

| DIP PLCC PACKING LIST FOR TUBE=612mm | | | | | | | |
|--------------------------------------|----------|------------------|-----------------|-------------------|-----------------|-----------|-----------|
| CONTACTS | PCS/TUBE | TUBE / INNER BOX | PCS / INNER BOX | INNER / OUTER BOX | PCS / OUTER BOX | N.W.(KGS) | G.W.(KGS) |
| 32P | 28 | 42 | 1176 | 2 | 2352 | 6.5 | 9.9 |
| 44P | 25 | 35 | 875 | 4 | 3500 | 13.4 | 20.9 |
| 68P | 18 | 42 | 756 | 1 | 756 | 4.4 | 7.8 |

| | | | | |
|---------------------------|-------------|---|--|-----------------|
| www.fciconnect.com | | surface <input checked="" type="checkbox"/> tolerance std | projection <input checked="" type="checkbox"/> | MM |
| | | TOLERANCES UNLESS OTHERWISE SPECIFIED | | |
| Dr | Jason Hsu | 1/11/11 | ANGULAR | size A4 |
| Eng | Jason Hsu | 1/11/11 | LINEAR | Scale N/A |
| Chr | S Alosius | 5/21/15 | 0° ±5° | ECN ELX-I-20940 |
| Appr | Biju K Paul | 5/21/15 | Product family | Spec ref |
| FCI title PLCC DIP Socket | | dwg no 54020 | | Rev. K |
| catalog no - | | CUSTOMER | | sheet 2 of 2 |

REV F - 2005-04-07

1

2

3

4

Mouser Electronics

Authorized Distributor

Click to View Pricing, Inventory, Delivery & Lifecycle Information:

[FCI / Amphenol:](#)

[54020-68030PT](#) [54020-32030PT](#) [54020-44030PT](#) [54020-32030LF](#) [54020-44030LF](#) [54020-68030LF](#)