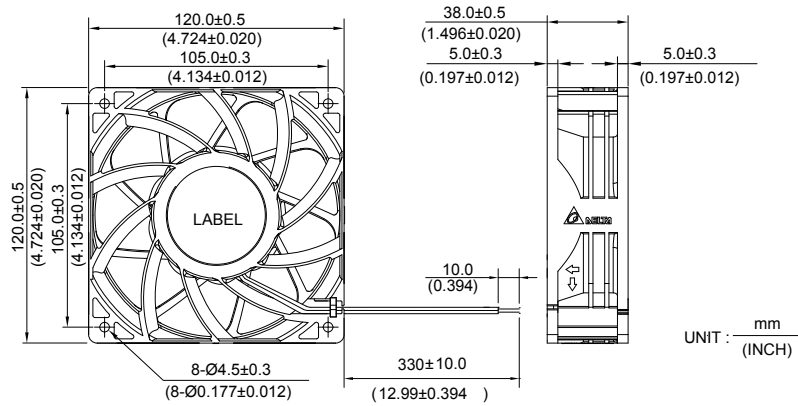


*New*



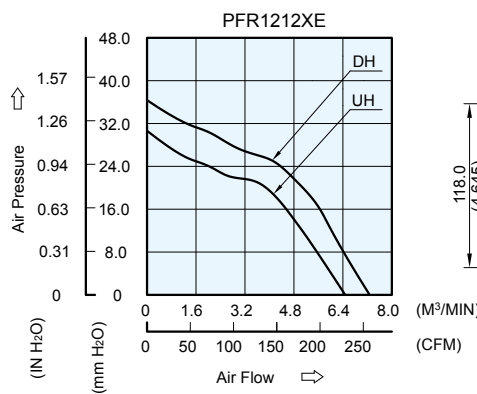
# PFR 120 x 120 x 38 MM SERIES

## ■ DIMENSIONS DRAWING

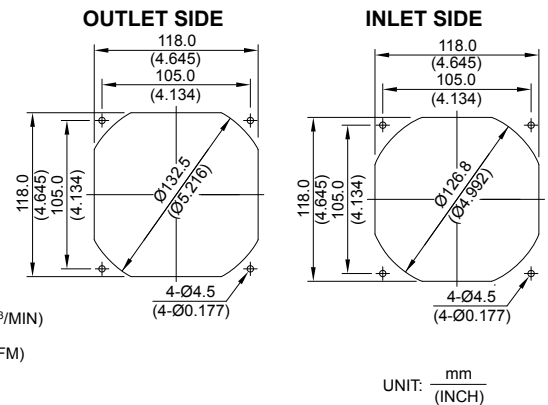


- \* Bearing Type  
Ball Bearings
- \* Material  
Impeller & Frame: Plastic (UL 94V-0)
- \* Lead Wires :  
UL 1430 AWG #22 OR Equivalent  
Red Wire Positive(+)  
Black Wire Negative(-)
- \* Weight : 410g (14.46 oz)

## ■ P & Q CURVE (AT RATED VOLTAGE)



## ■ MOUNTING PANEL CUTOUT



MODEL		Rated Voltage	Operating Voltage Range	Input Current	Input Power	Speed	Maximum Air Flow		Maximum Air Pressure		Noise
PART NO.	FUNCTION	VDC	VDC	Amp	Watt	R.P.M.	m <sup>3</sup> /min	CFM	mmH <sub>2</sub> O	IN H <sub>2</sub> O	dB-A
PFR1212UHE	-R00 / -F00	12	8.0 to 13.2	2.70	32.40	6600	6.475	228.65	30.63	1.206	65.5
PFR1212DHE	-R00 / -F00	12	8.0 to 13.2	3.70	44.40	7400	7.202	254.34	36.51	1.438	68.5

- \* Function type is optional.
- \* The max. air flow and the speed are measured in free air ; max. air pressure is measured at zero air flow.
- \* Noise is measured in anechoic chamber in free air, one meter from intake side.
- \* All readings are typical values at rated voltage.
- \* Specifications are subject to change without notice.

# Mouser Electronics

Authorized Distributor

Click to View Pricing, Inventory, Delivery & Lifecycle Information:

## Delta Electronics:

[PFR1212DHE-F00](#) [PFR1212UHE-F00](#) [PFR1212DHE-SP00](#) [PFR1212UHE-SP00](#) [PFR1212DHE](#) [PFR1212DHE-R00](#)  
[PFR1212UHE](#) [PFR1212UHE-R00](#)