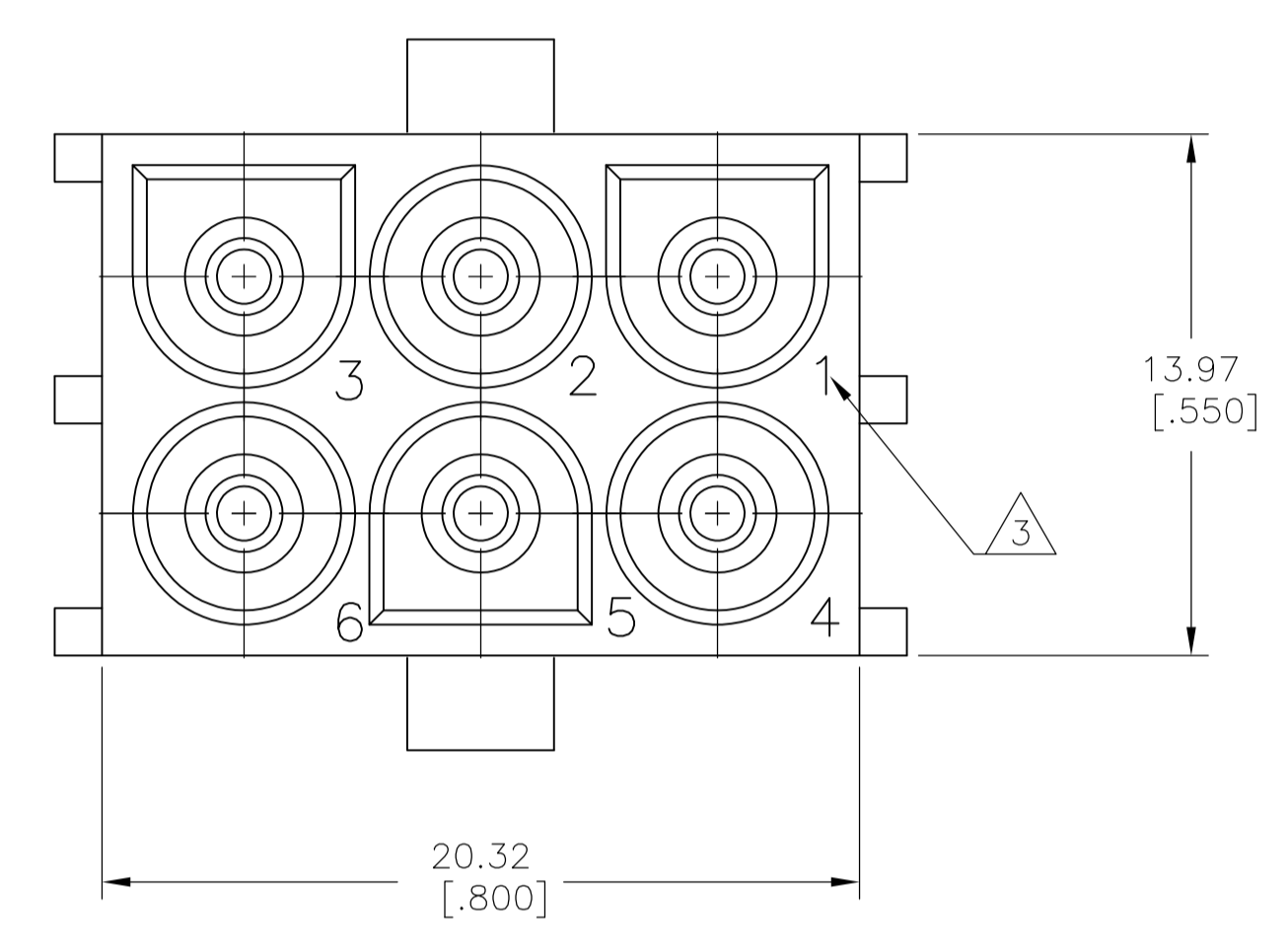
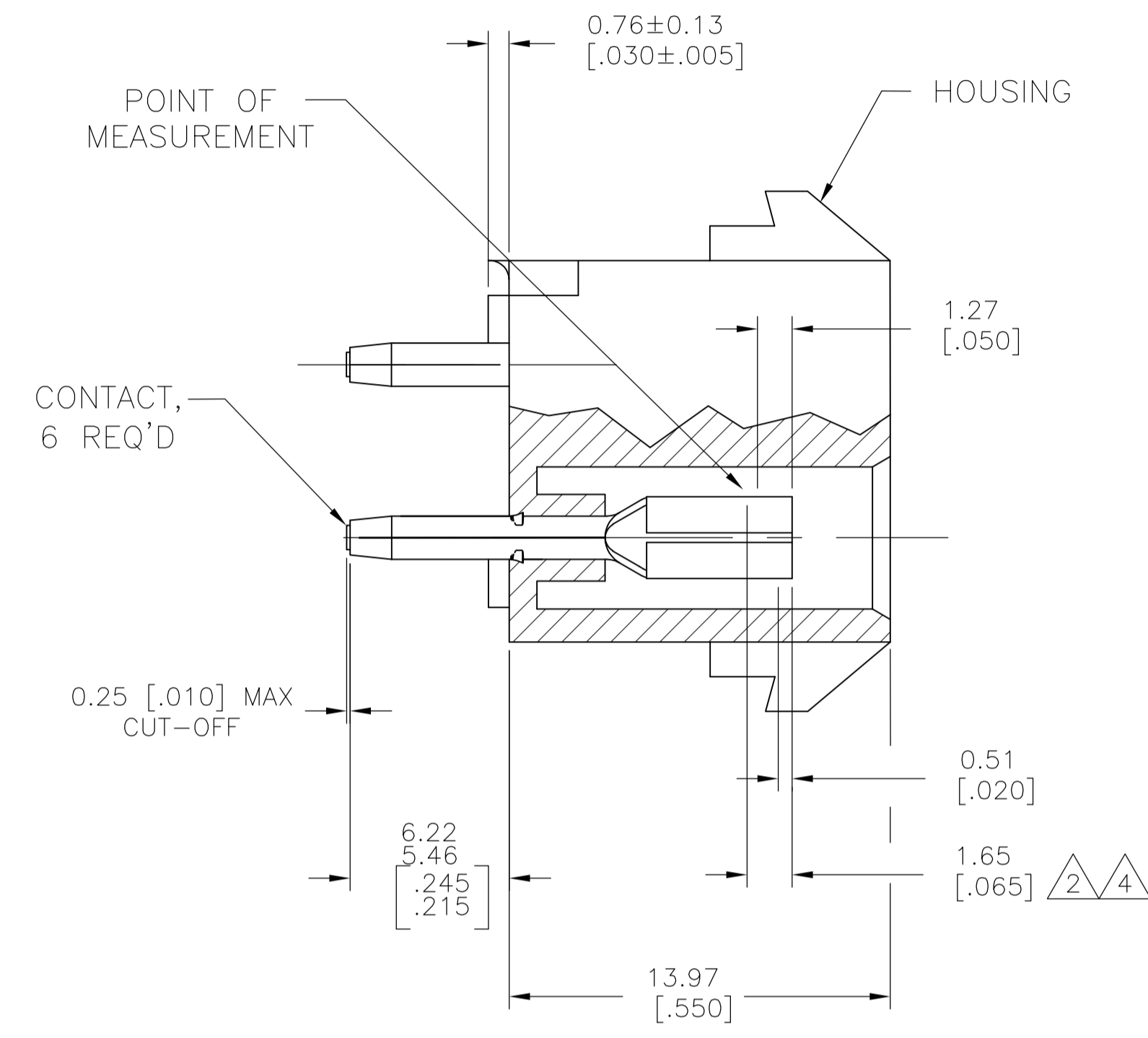
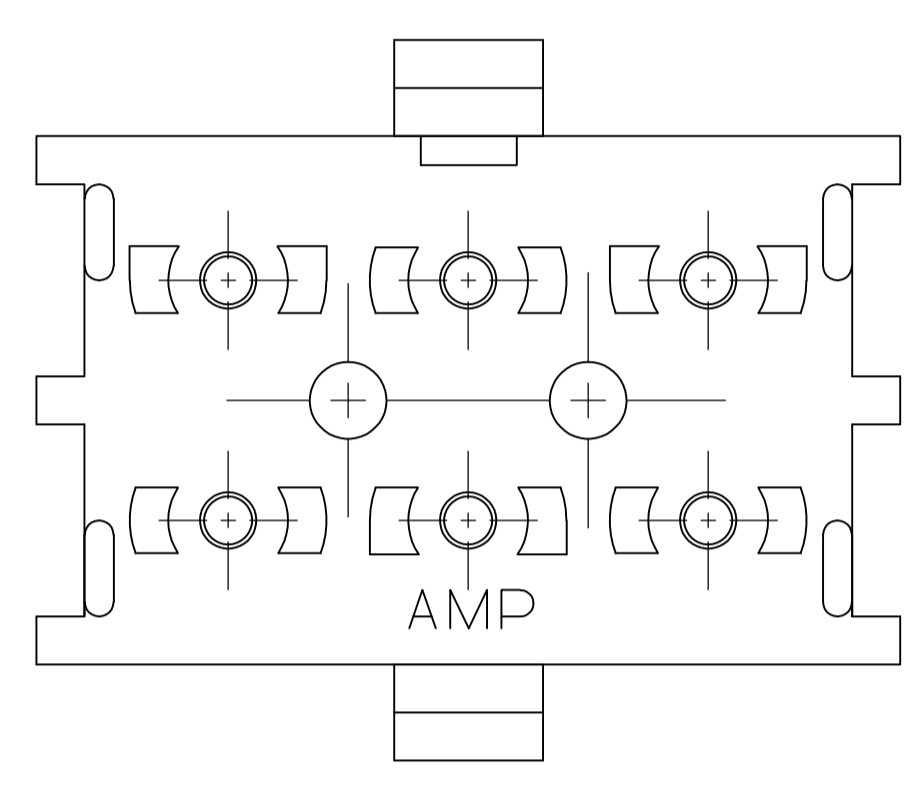
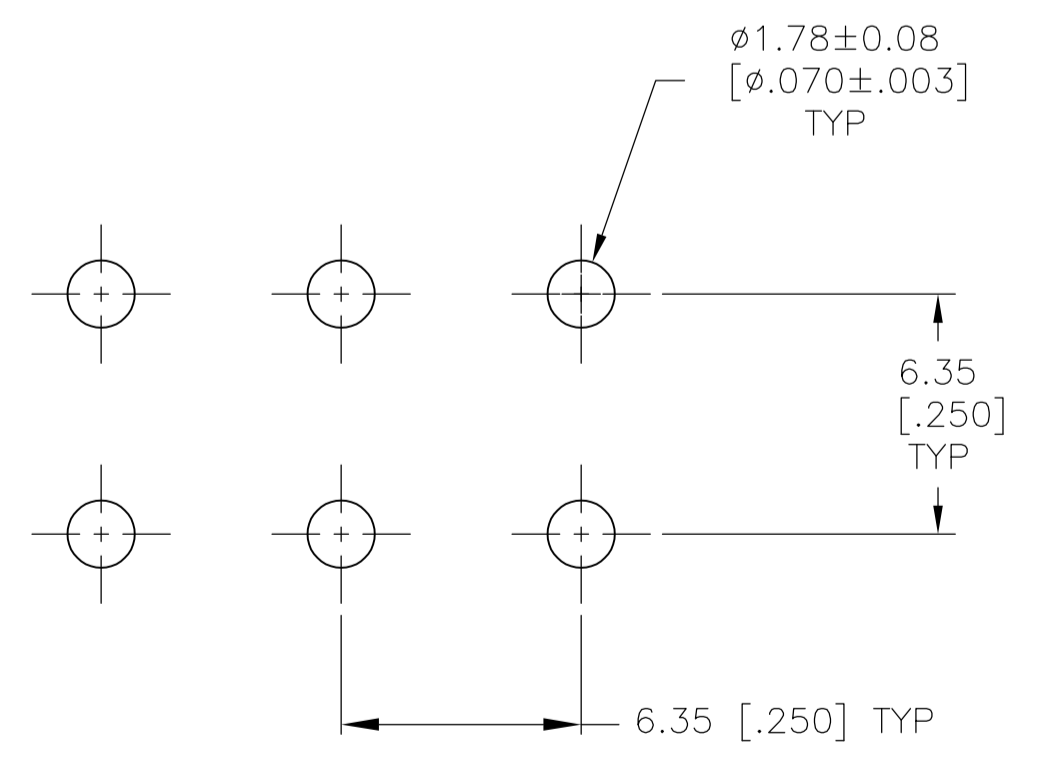


LOC		DIST		REVISIONS			
CM	00	REV	DATE	BY	CHK	APPV	
		K2	28JAN13				REVISED PER ECR-12-011660



- 1 PARTS MUST COMPLY WITH AMP SOLDERABILITY SPEC 109-11-3.
- 2 CONTACT IS STAMPED FROM PRE-PLATED STOCK WHICH IS PLATED OVERALL WITH 0.00127 [.000050] NICKEL, THEN STRIPED WITH 0.00076 [.000030] GOLD IN CONTACT AREA INDICATED AND TIN-LEAD ON SOLDER TAIL END.
- 3 CIRCUIT IDENTIFICATION CHARACTERS ARE ADJACENT TO THE INDICATED CAVITIES, BUT LOCATION AND ORIENTATION MAY DIFFER FROM PRINT.
- 4 CONTACT IS PLATED OVERALL WITH 0.00127 [.000050] NICKEL, THEN 0.00076 [.000030] GOLD OVER CONTACT LENGTH INDICATED AND MATTE TIN ON SOLDER TAIL END.
- 5 SUPERSEDED BY 350834-4



RECOMMENDED LAYOUT FOR 3.18 [.125] THICK PC BOARD

5	PH BRZ GOLD 4	NYLON,UL 94V-0	350834-4
	PH BRZ GOLD 2	NYLON,UL 94V-0	350834-2
	PH BRZ TIN	NYLON,UL 94V-0	350834-1
	CONTACT	HOUSING	PART NO

THIS DRAWING IS A CONTROLLED DOCUMENT.

DIMENSIONS: mm [INCHES]	TOLERANCES UNLESS OTHERWISE SPECIFIED:	DWG: K. WHITAKER 11OCT2005	CHK: S. RIDGILL 11OCT2005	APVD: S. RIDGILL 11OCT2005	NAME: 6 CIRCUIT UNIVERSAL MATE-N-LOK (TM) P.C. BOARD SOCKET HEADER ASSEMBLY
0 PLC ±	1 PLC ±	2 PLC ±	3 PLC ± 0.13 [.005]	4 PLC ±	ANGLES ±
MATERIAL: SEE TABLE	FINISH: SEE TABLE	WEIGHT: A1	SIZE: 00779	CAGE CODE: 350834	RESTRICTED TO: CUSTOMER DRAWING

STE TE Connectivity

SCALE: 5:1 SHEET: 1 OF 1 REV: K2

# Mouser Electronics

Authorized Distributor

Click to View Pricing, Inventory, Delivery & Lifecycle Information:

[TE Connectivity:](#)

[350834-1](#)